

## Parabolic antenna JRC-29DD-SX MIMO

Dual-polarized parabolic antenna **JRC-29 Deep Dish MIMO** is designed for directional links with MIMO mode at the frequency band 5 GHz. The antenna is designed for environments with multiple reflections for long and medium distances in difficult conditions. **Its design with deep dish increases isolation among antennas on a mast and increases front to back ratio. The new concept expands the frequency band.** The SX version includes a **stainless steel holder** for adverse corrosive conditions.

Other models: **JRC-29DD MIMO Precision** – antenna with precision holder JDMW-900 AR  
**JRC-29DD MIMO** – standard deep dish MIMO antenna  
**JRC-29DD MIMO PriS** – antenna for dual-polarized radio UBNT PrismStation

### Electrical parameters:

<b>Frequency range</b>	4.9 – 6.4 GHz
<b>Gain</b>	29.0 ± 1 dBi
<b>VSWR</b> 5.1 – 5.9 GHz	≤ 1.4
<b>Beamwidth</b> -3 dB	5.5°
<b>Port to port isolation</b> 5.1 – 5.9 GHz	≥ 25 dB (rest of the freq. range ≥ 22 dB)
<b>Front to Back ratio</b>	≥ 49 dB
<b>Polarization</b>	Linear, vertical/horizontal or 45°

### Mechanical parameters:

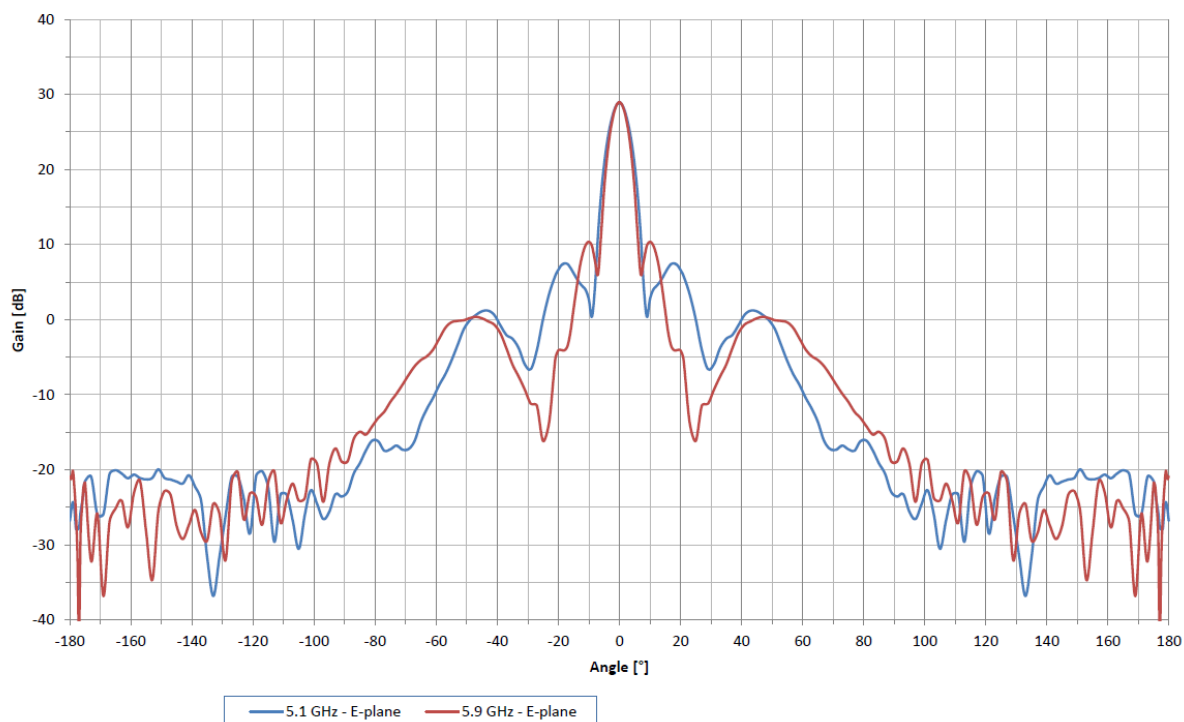
<b>Parabola</b>	Ø 680 mm, Aluminium alloy
<b>Radome</b>	UV steady plastic ABS
<b>Type of connector</b>	N-female, R-SMA
<b>Installation for mast</b>	Ø 27 - 74 mm
<b>Weight of antenna</b>	5.9 kg (13 lbs.)
<b>Shipping dimensions - 2 pcs</b>	810 x 790 x 340 mm/15.5 kg (34.2 lbs.)

The antenna can be used in combination with the outdoor metal box JR – 250 Alu for AP, RouterBOARDS and other electronics or with holder GentleCLIP for easy installation devices with the clipped system. The antenna has separate latching nuts for easy mounting and adjustment of the azimuth and elevation. Right and left side mounting possible.

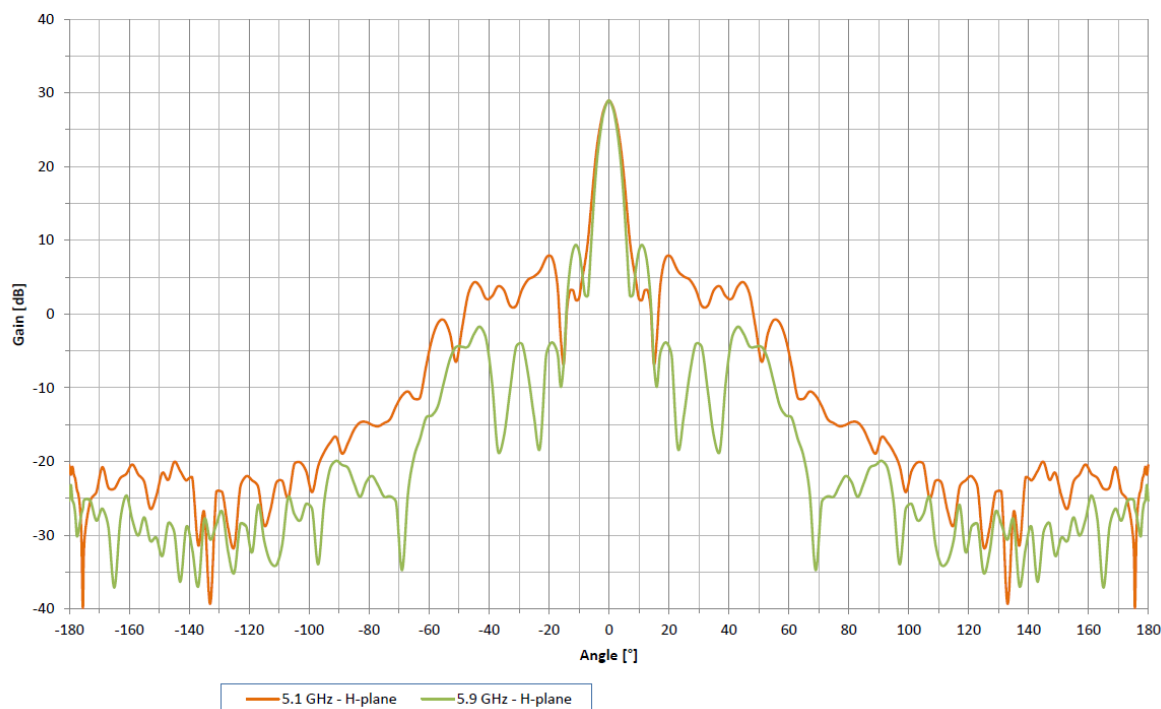
# Parabolic antenna JRC-29DD-SX MIMO

## Measurement of radiation pattern:

### JRC-29DD MIMO - E-plane



### JRC-29DD MIMO - H-plane

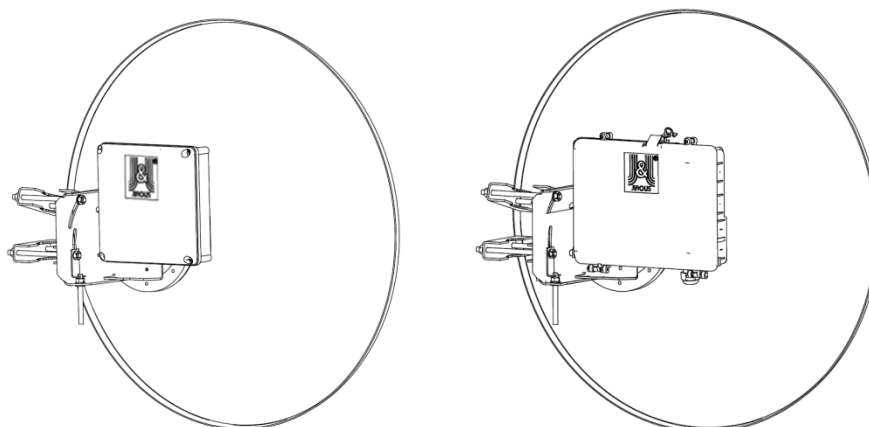
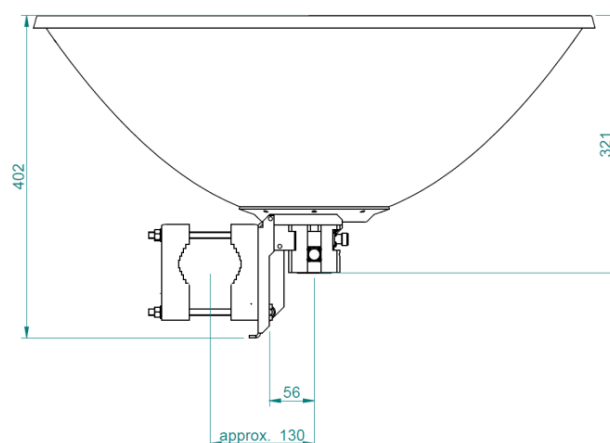
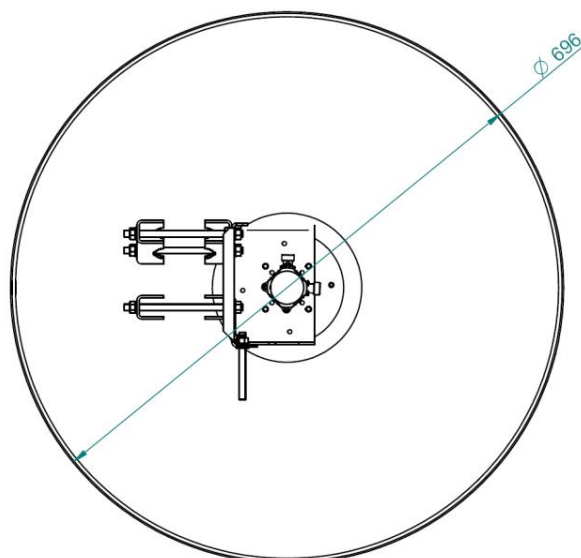




www.jirus.com

## Parabolic antenna JRC-29DD-SX MIMO

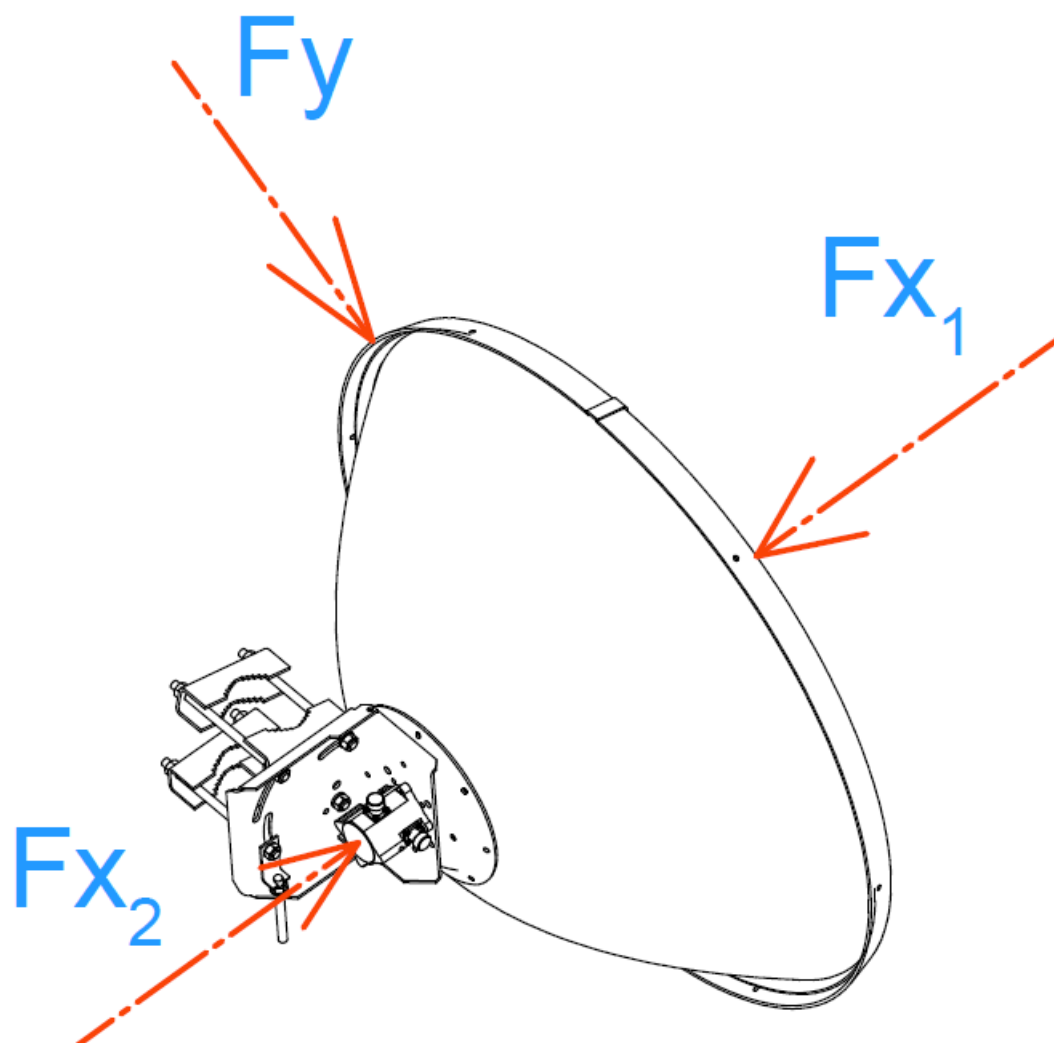
### Outline:



Accessories: outdoor plastic box JR – 200 or metal box JR – 250 Alu – right side mounting only, polarization 45° not possible

## Parabolic antenna JRC-29DD-SX MIMO

### Wind loading:



Wind Loading 250 km/h [125 mph]		
Direction	Force [ N ]	Force [ lbf ]
Fx1	707	159
Fx2	792	178
Fy	71	16