

Parabolic antenna JRMD-900-6

Dual-polarized (circular waveguide) parabolic antenna **JRMD-900-6** is designed for microwave links at the 6 GHz frequency band. Precise performance with deep reflector dish complies with standard ETSI class 2.

Electrical parameters:

Frequency range	5.9 – 7.125 GHz
Gain	33.0 ± 1 dBi
Front to back ratio	≥ 53 dB
Beamwidth_{-3 dB}	3.1°
VSWR	< 1.4
Polarization	Linear, vertical/horizontal or 45°
Electrical Compliance	Class 2 ETSI EN 302-217-4-2 v1.5.1

Mechanical parameters:

Parabola	Ø 900 mm , aluminium alloy
Radome	UV steady plastic ABS
Input / output	Circular waveguide
Installation for mast	Ø 40 – 120 mm
Operating wind load	140 km/h (87 mph)
Survival wind load	210 km/h (130 mph)
Weight of antenna of holder	8.2 kg (18.1 lbs.) 3.2 kg (7.1 lbs.)
Shipping dimensions	1000 x 990 x 430 mm / 18 kg (39.7 lbs.)

Usage:

Parabolic antenna JRMD-900-6

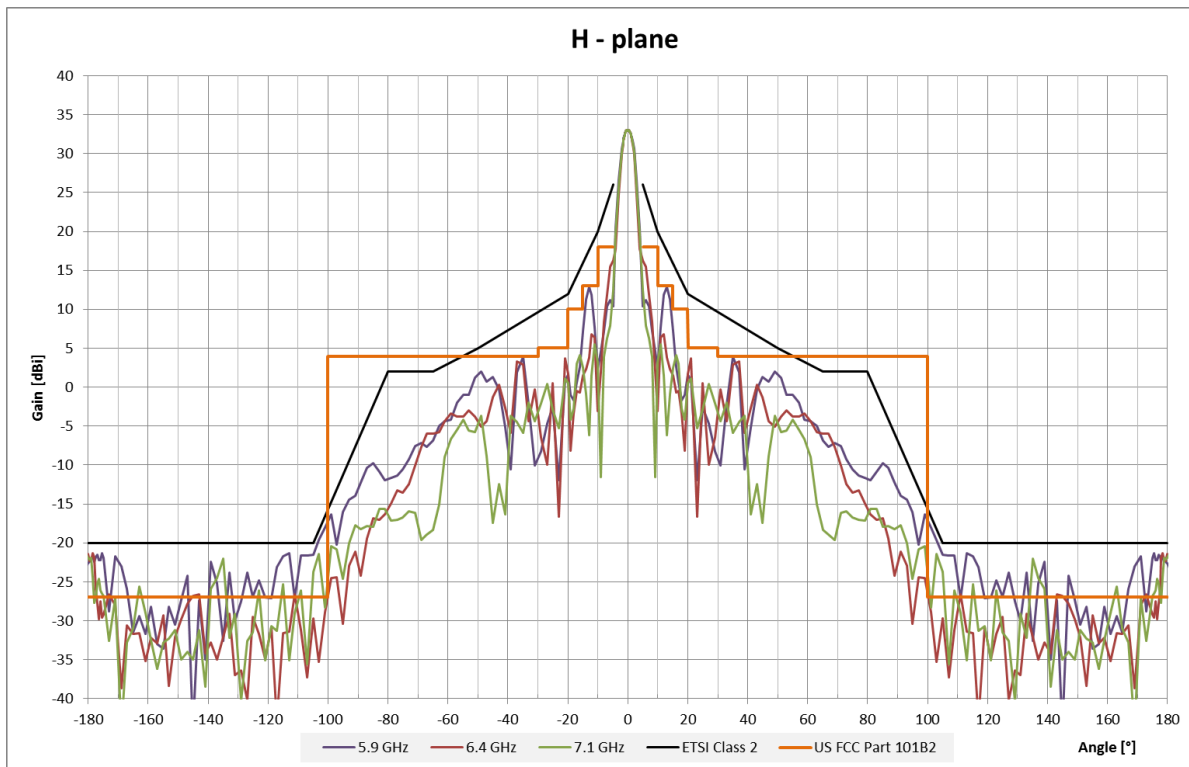
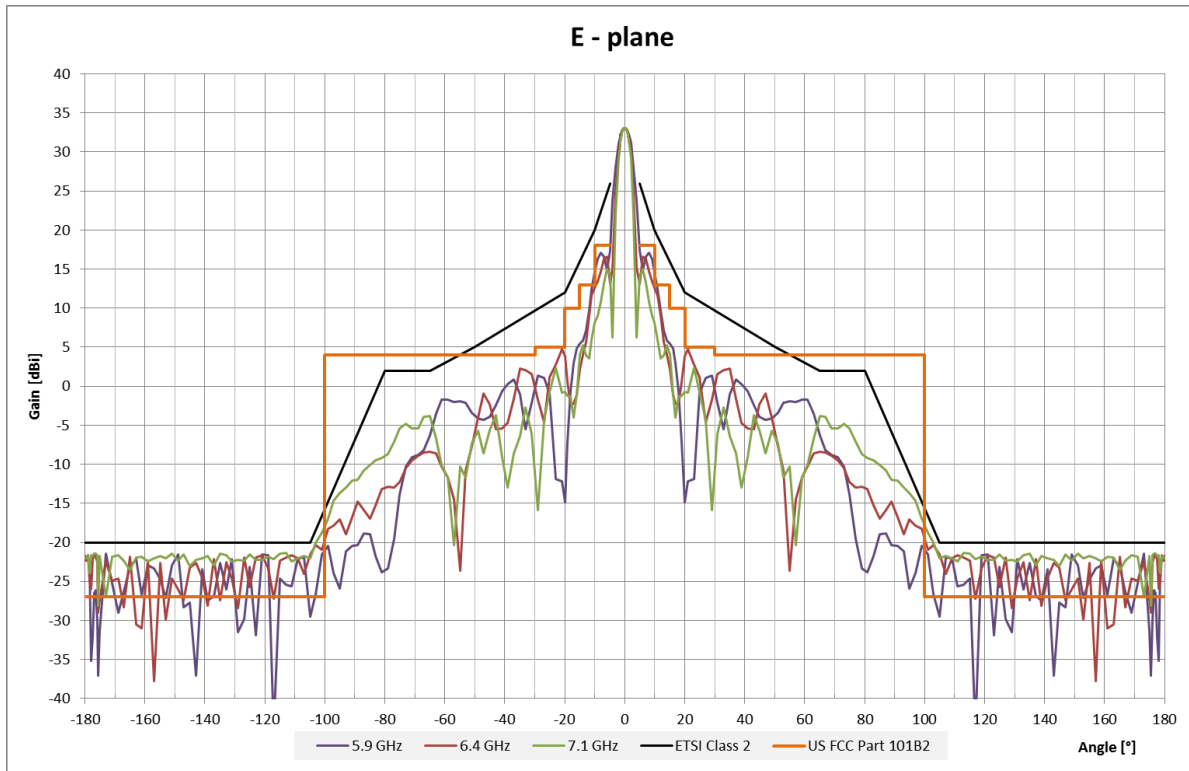
- deep parabola for better electrical parameters
- **easy to assembly:** first the holder and then the antenna only by 2 screws
- **fine setting** elevation (of gradient) $\pm 20^\circ$ and azimuth $\pm 16^\circ$
- extreme wind stability

The antenna is supplied together with a holder that allows easy mounting on a mast. Holder can be installed separately on the mast. Subsequently, you can simply hang up the antenna with microwave unit into it. The holder allows precise adjustment in both directions. Ready for right and left side mounting.

In the areas with the expected occurrence of the strong winds mounting on the mast with minimal \varnothing 70 mm is recommended.

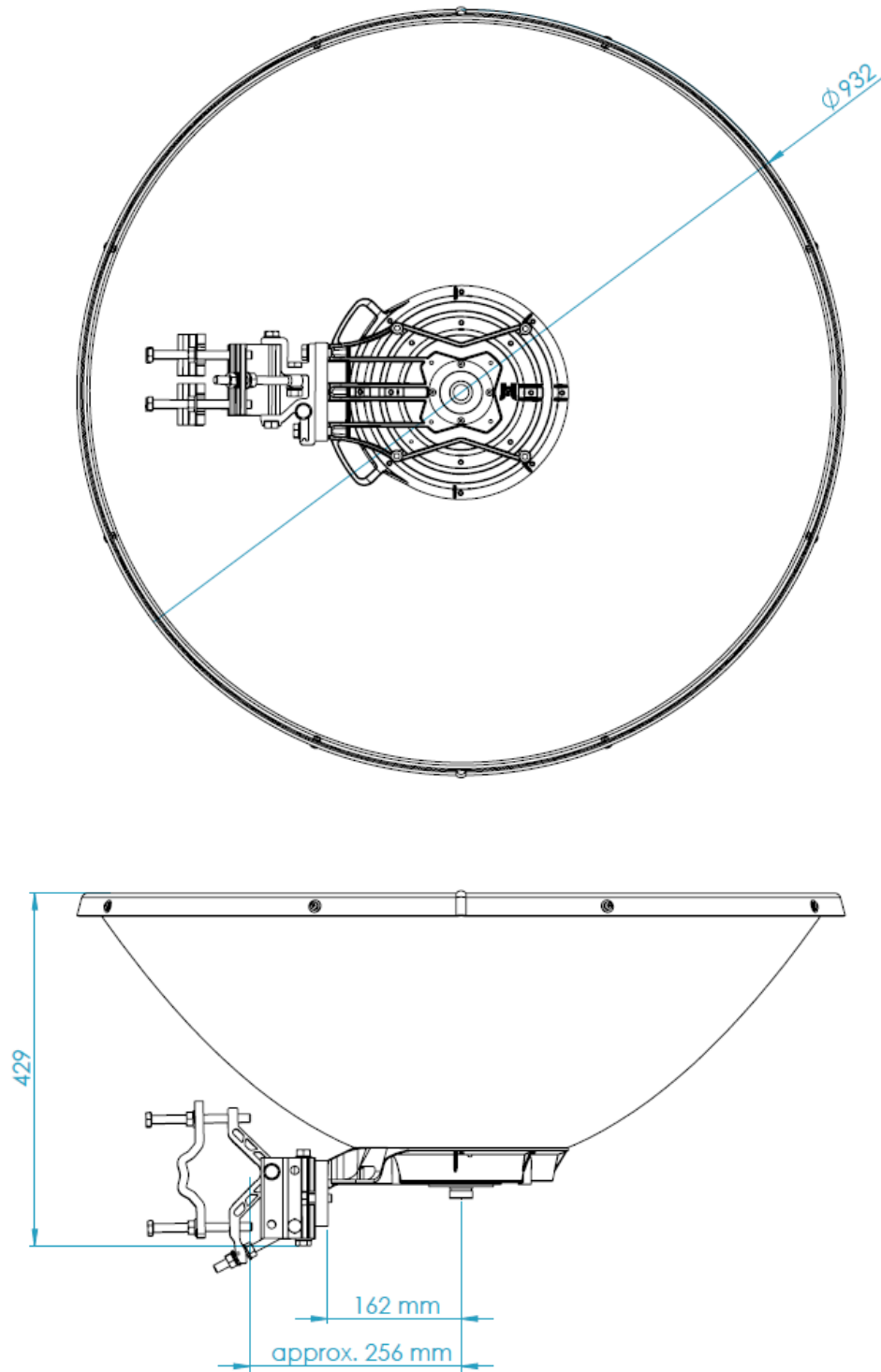
Parabolic antenna JRMD-900-6

Measurement of radiation pattern:



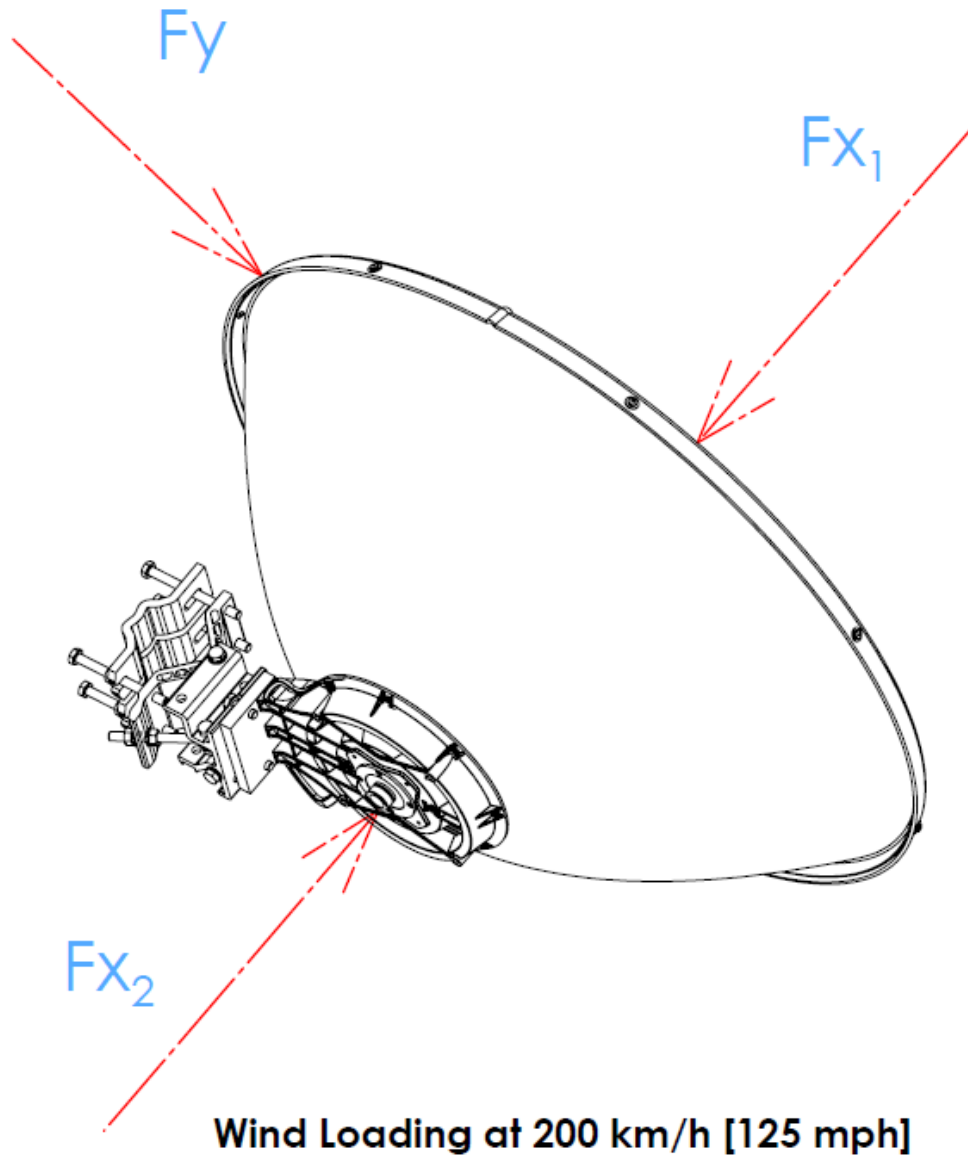
Parabolic antenna JRMD-900-6

Outline:



Parabolic antenna JRMD-900-6

Wind loading:



Direction	Force [N]	Force [lbf]
F_{x_1}	1443	324,4
F_{x_2}	1324	297,4
F_y	91	20,4