



Parabolic antenna JRC-32DD MIMO PriS

Dual-polarized parabolic antenna **JRC-32 Deep Dish MIMO PriS** is designed for links with dual-polarized **PrismStation radio units** at the frequency band 5 GHz. The antenna is designed for environments with multiple reflections for long and medium distances in difficult conditions. **Its design with deep dish increases isolation among antennas on a mast and increases front to back ratio. The new concept expands the frequency band.** JRC-32DD MIMO PriS version includes a **massive holder JDMW-900** developed for microwave links.

Other models: **JRC-32DD MIMO Precision** – antenna with precision holder JDMW-900 AR

Electrical parameters:

Frequency range	4.9 – 6.4 GHz
Gain	32.1 ± 1 dBi
VSWR _{5.1 – 5.9 GHz}	≤ 1.3
Beamwidth _{-3 dB}	4.3°
Front to Back ratio	≥ 52 dB
Polarization	Determined by radio unit

Mechanical parameters:

Parabola	Ø 900 mm, Aluminium alloy
Radome	UV steady plastic ABS
Type of connector	Waveguide for UBNT PrismStation
Installation for mast	Ø 40 - 120 mm
Operating wind load	140 km/h (87 mph)
Survival wind load	210 km/h (130 mph)
Weight of antenna	9.3 kg (20.5 lbs.)
of holder	3.2 kg (7.0 lbs.)
Shipping dimensions	
of antenna	995 x 995 x 545 mm / 13 kg (29 lbs.)
of holder	180 x 170 x 165 mm / 3.5 kg (7.7 lbs.)

Parabolic antenna JRC-32DD MIMO PriS

Usage:

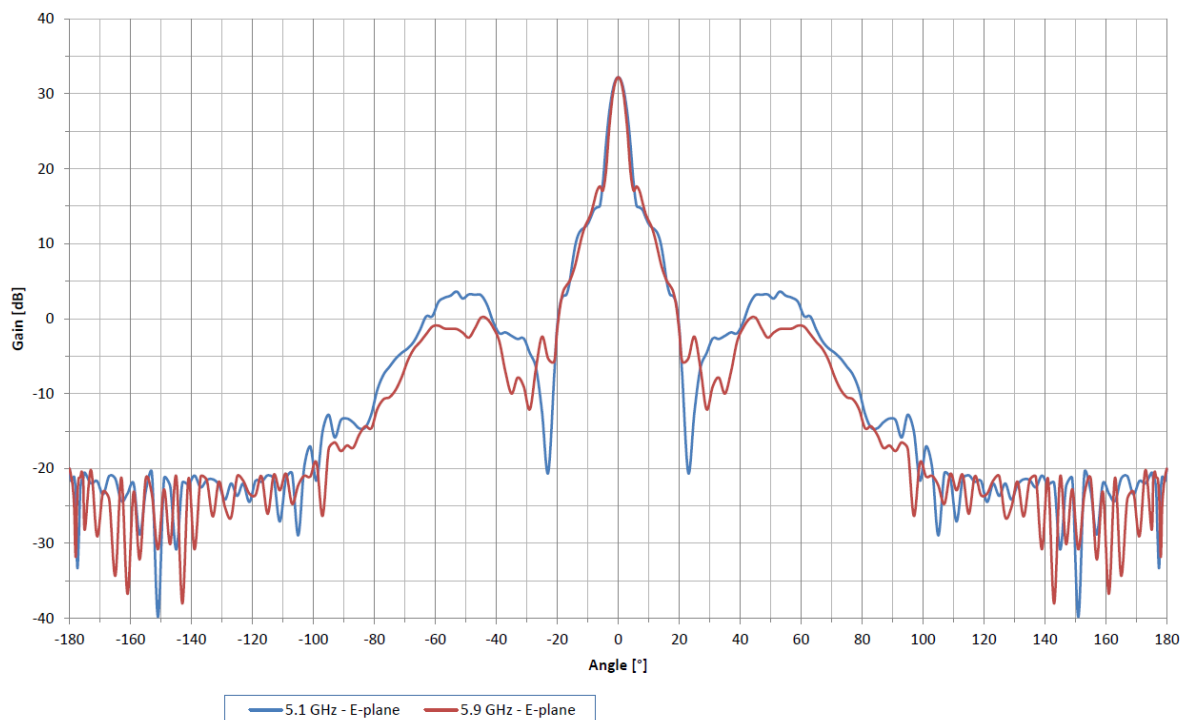
The antenna has separate latching nuts for easy mounting and adjustment of the azimuth and elevation. Right and left side mounting possible.

The antenna is supplied with a holder (packed separately) that allows easy mounting on a mast. The holder can be installed separately on the mast. Subsequently, you can simply hang up the antenna with microwave unit into it. The holder allows precise adjustment in both directions. In the areas with the expected occurrence of the strong winds mounting on the mast with minimal \varnothing 50 mm is recommended.

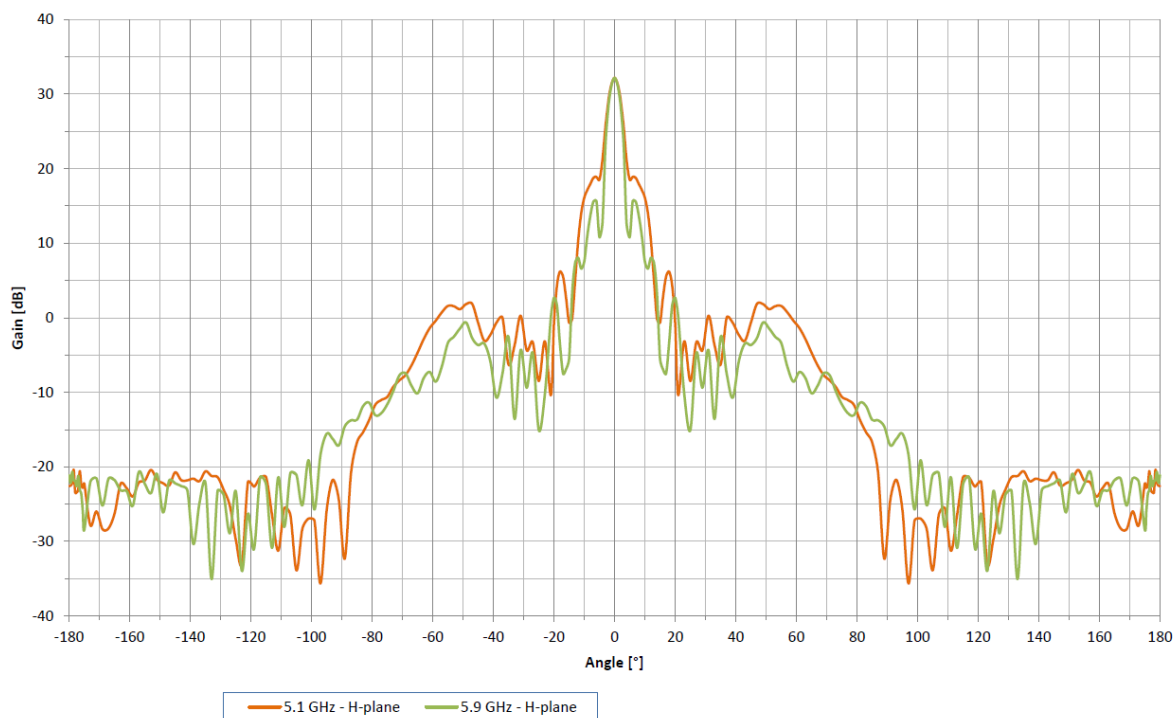
Parabolic antenna JRC-32DD MIMO PriS

Measurement of radiation pattern:

JRC-32DD MIMO - E-plane

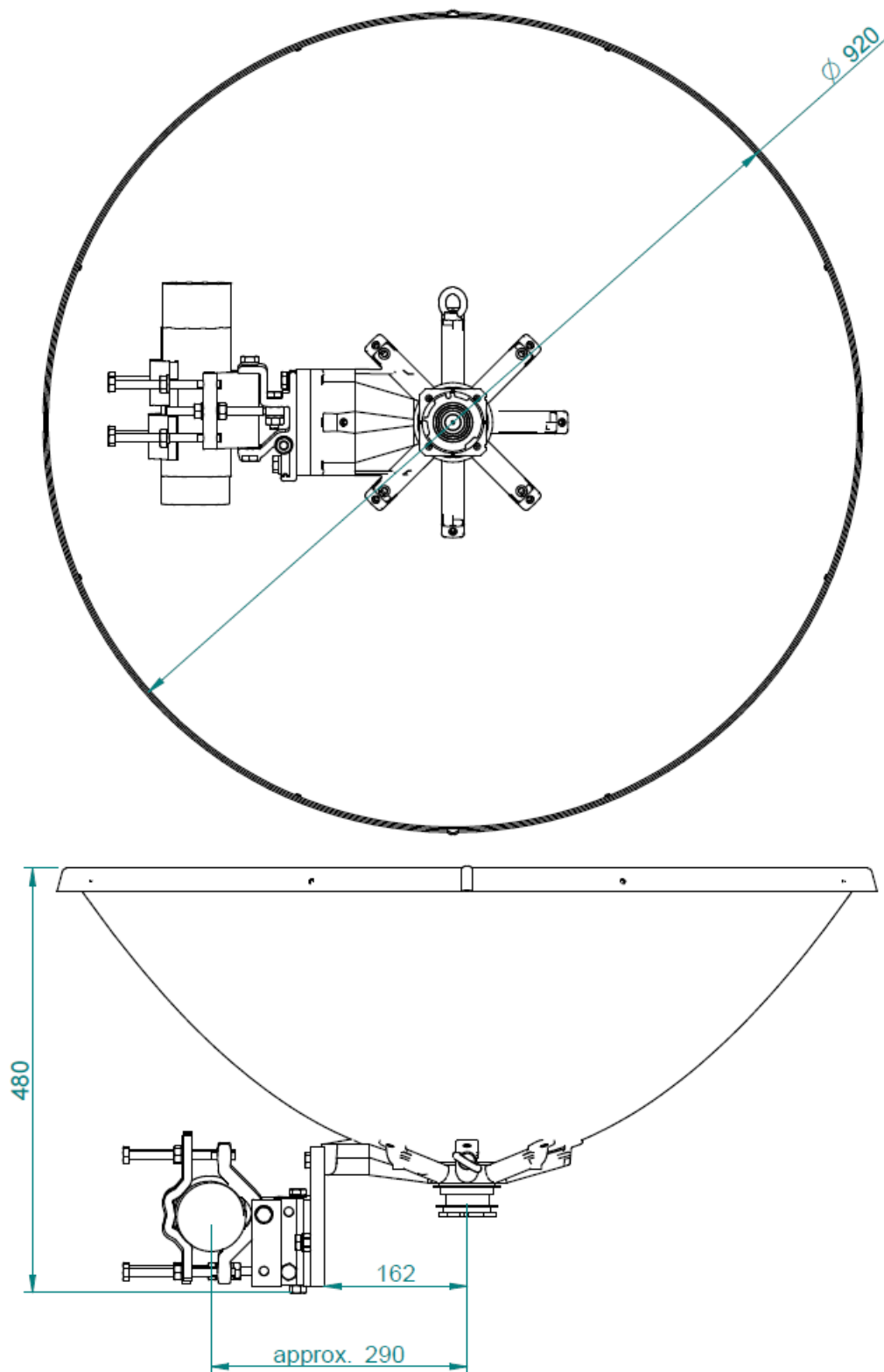


JRC-32DD MIMO - H-plane



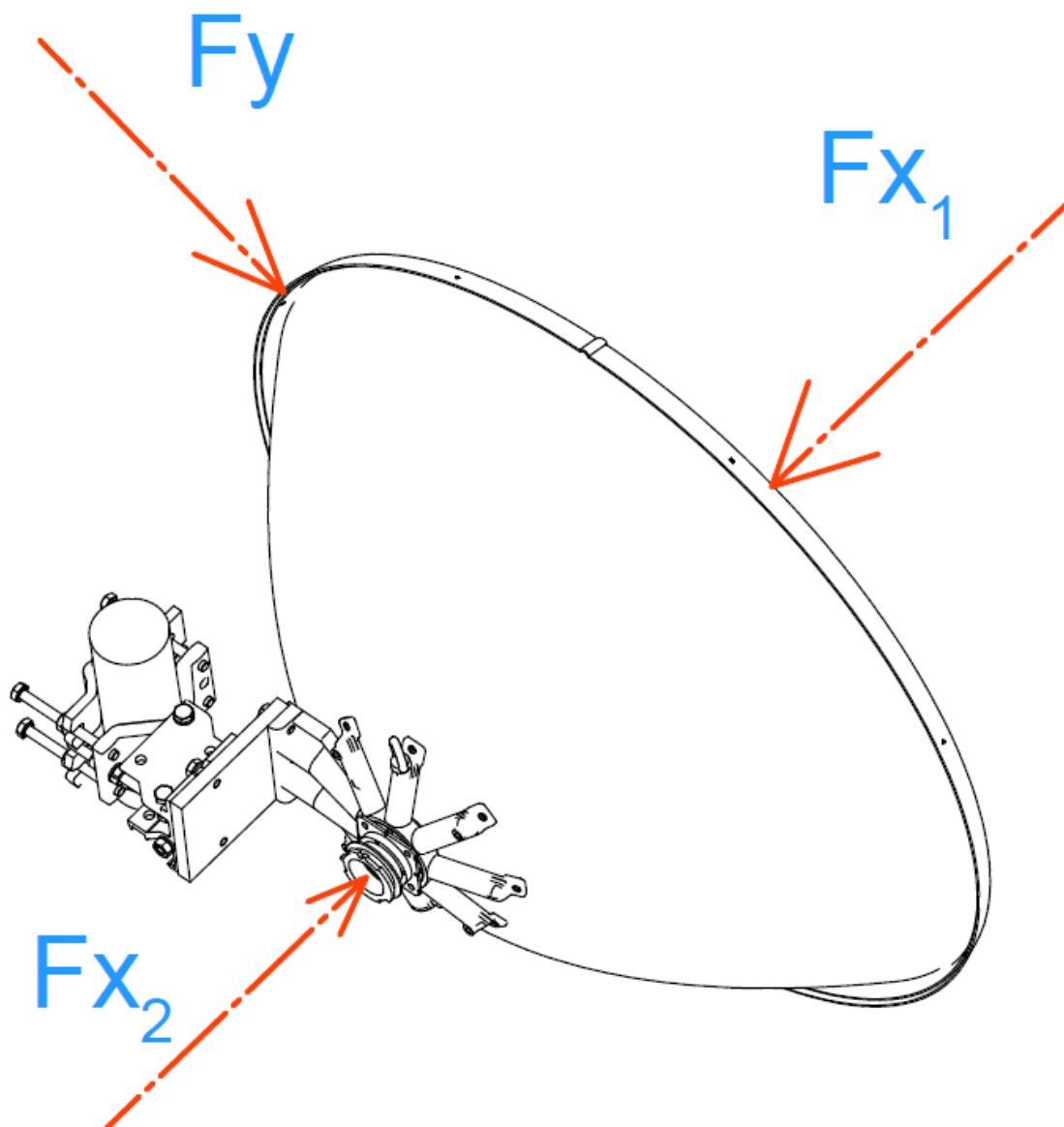
Parabolic antenna JRC-32DD MIMO PriS

Outline:



Parabolic antenna JRC-32DD MIMO PriS

Wind loading:



Wind Loading at 250 km/h (125 mph)		
Direction	Force [N]	Force [lbf]
Fx1	1443	324,4
Fx2	1324	297,4
Fy	91	20,4