

Parabolic antenna JRMD-1200-6

Dual-polarized (circular waveguide) parabolic antenna **JRMD-1200-6** is designed for microwave links at the 6 GHz frequency band. Precise performance with deep reflector dish complies with standard ETSI class 2.

Electrical parameters:

Frequency range	5.9 – 7.125 GHz
Gain	35.5 ± 1 dBi
VSWR	≤ 1.6
Beamwidth _{-3 dB}	2.5°
Front to Back ratio	≥ 55 dB
Polarization	Linear, vertical/horizontal or 45°
Electrical Compliance	Class 2 ETSI EN 302-217-4-2

Mechanical parameters:

Parabola	Ø 1200 mm, Aluminium alloy
Radome	UV steady plastic ABS
Input / output	Circular waveguide
Installation for mast	Ø 80 - 120 mm Ø 60 - 80 mm <small>with adjustable wind bracing set</small>
Operating wind load	110 km/h (68 mph) <small>without wind bracing set</small> 140 km/h (87 mph) <small>with wind bracing set</small>
Survival wind load	210 km/h (131 mph)
Weight of antenna	29 kg (64 lbs.)
Shipping dimensions – 1pc	1310 x 740 x 1440 mm/66.5 kg (147 lbs.)
Shipping dimensions – 2pcs	1310 x 1100 x 1440 mm/102 kg (225 lbs.)

Parabolic antenna JRMD-1200-6

Usage:

- deep parabola for better electrical parameters
- **fine setting** polarization $\pm 5^\circ$
- extreme wind stability

The antenna is supplied together with a massive holder that allows easy mounting on a mast. Holder can be installed separately on the mast. Subsequently, the antenna with microwave unit can be simply hung up into it.

Antenna holder allows fine setting elevation $\pm 15^\circ$ and azimuth $\pm 7^\circ$. Ready for right and left side mounting.

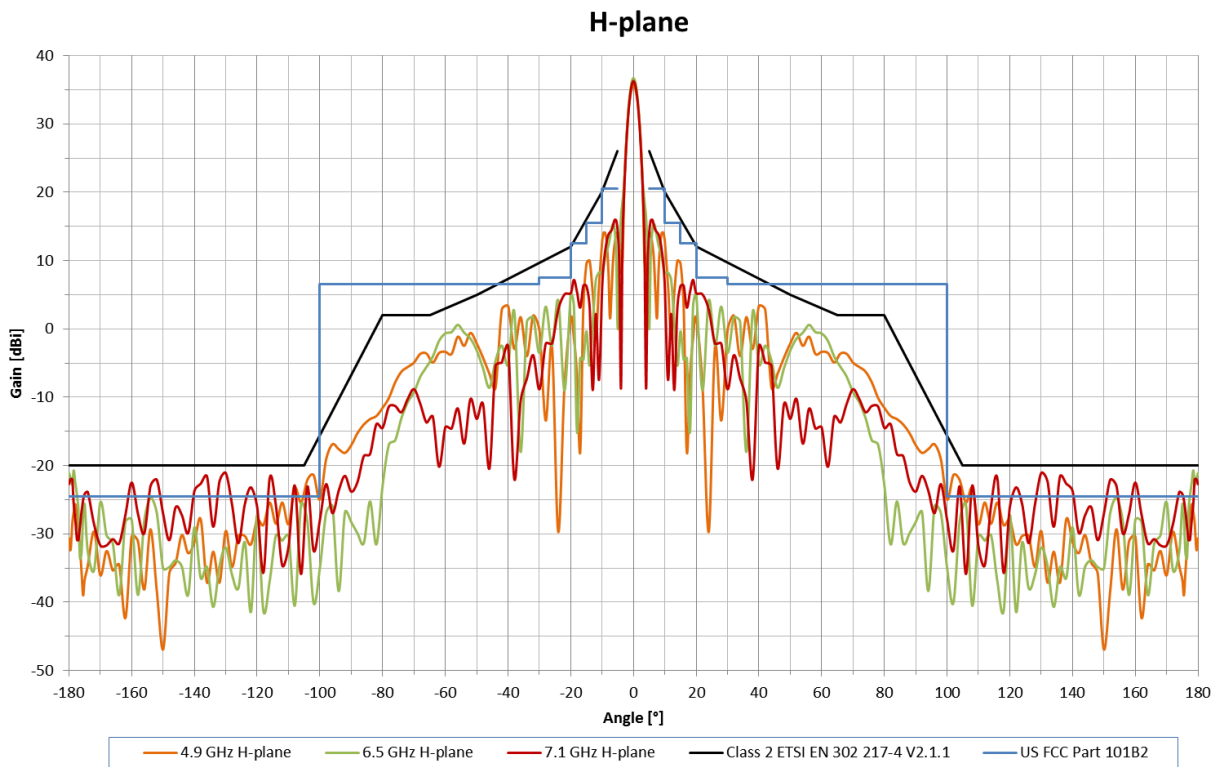
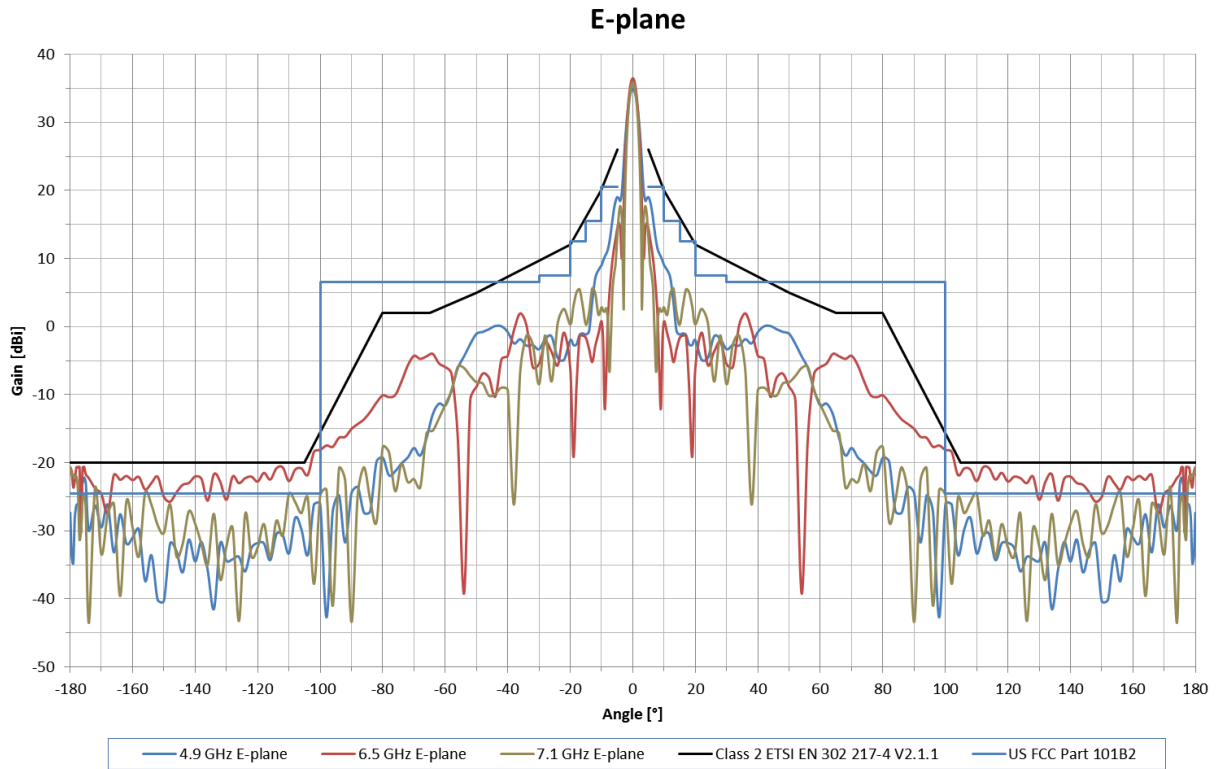
In the areas with the expected occurrence of the strong winds the usage of the (adjustable) wind bracing set is recommended. For mounting on the **mast \varnothing 60 – 80 mm** the usage of the **(adjustable) wind bracing set** is strongly recommended.

The usage of adjustable wind bracing set allows to set azimuth more comfortably.

The **wind bracing set** or the **adjustable wind bracing set** are optional accessories.

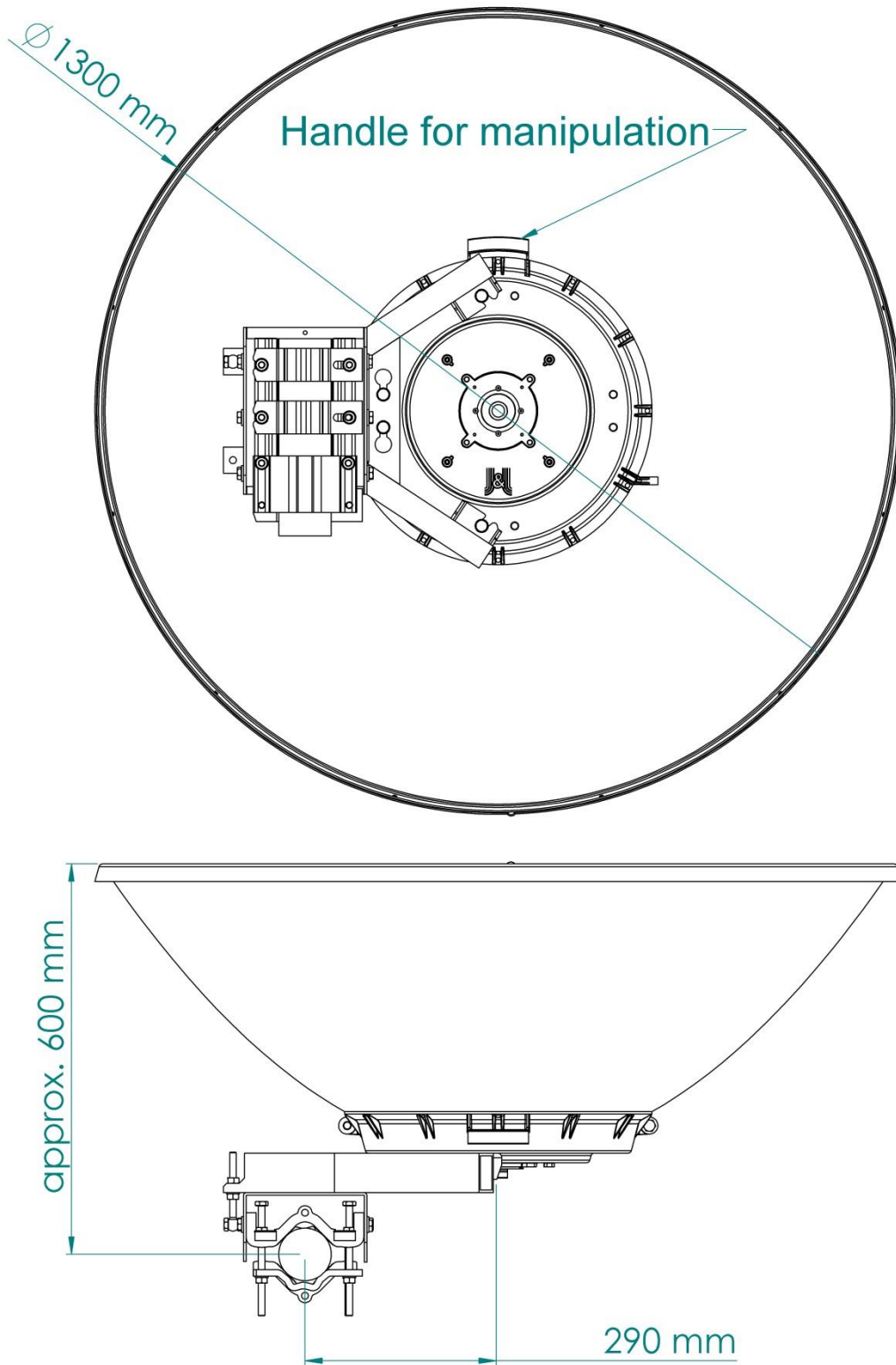
Parabolic antenna JRMD-1200-6

Measurement:

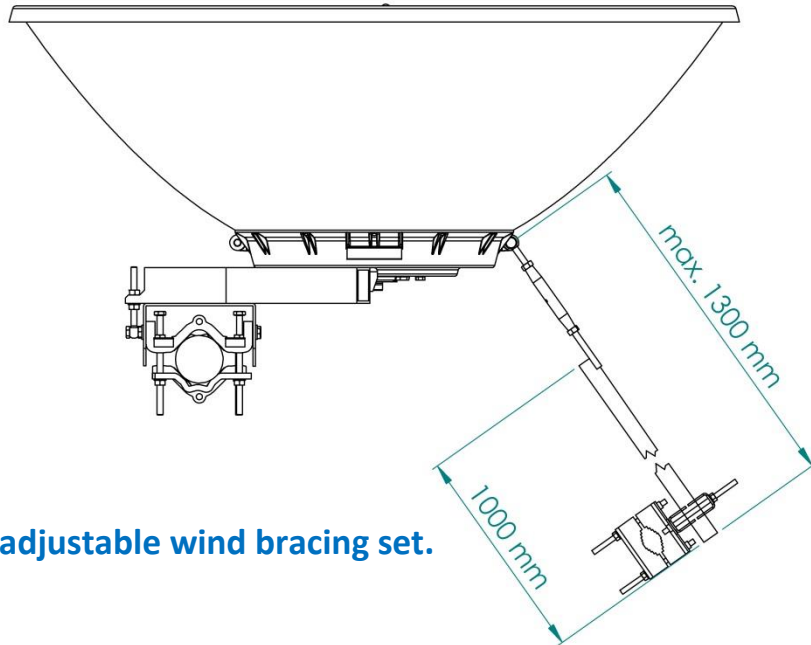


Parabolic antenna JRMD-1200-6

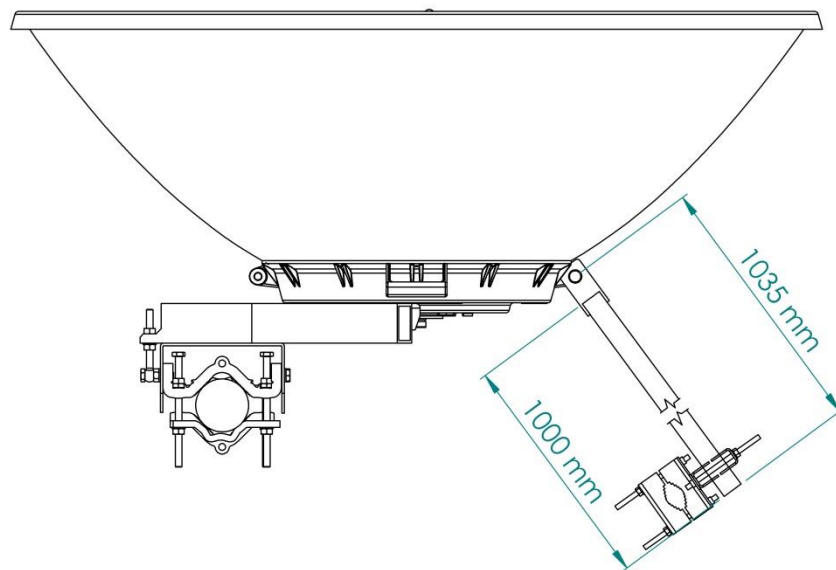
Outline:



Parabolic antenna JRMD-1200-6



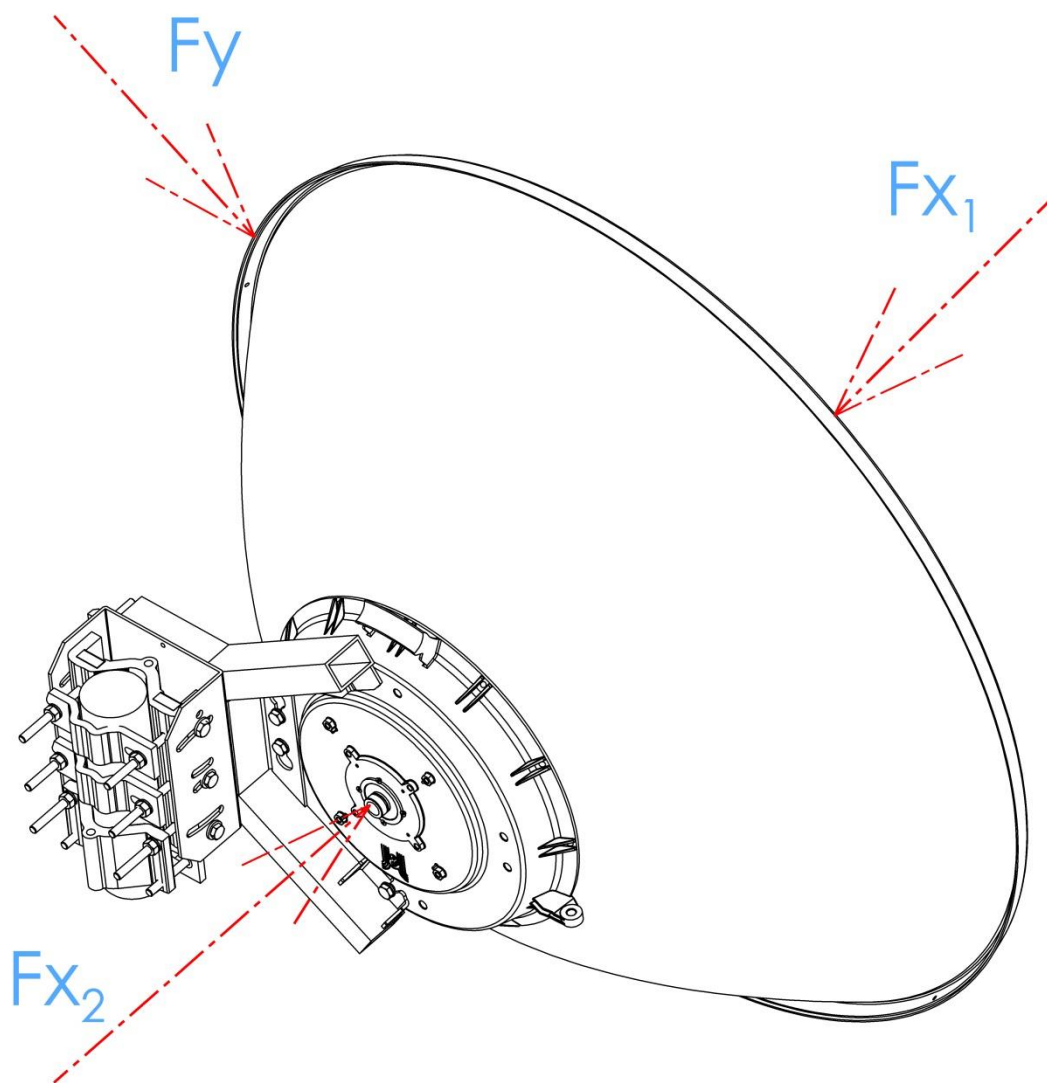
Antenna with adjustable wind bracing set.



Antenna with wind bracing set.

Parabolic antenna JRMD-1200-6

Wind loading:



Wind Loading at 200 km/h [125 mph]

Direction	Force [N]	Force [lbf]
F_{X_1}	2696	606
F_{X_2}	2186	491.4
F_y	247	55.5