

# Huawei SmartAX MA5600T

## OLT Boards Datasheet



**Router-Switch.com**  
Leading Network Hardware Supplier

# CONTENT

- Overview .....5
- Control Boards (SCU) .....6
  - H801SCUB Board Description .....7
  - H802SCUB Board Description .....8
  - H801SCUF Board Description .....9
  - H801SCUH Board Description .....10
  - H801SCUK Board Description .....11
  - H801SCUL Board Description .....12
  - H801SCUN Board Description .....13
  - H802SCUN Board Description .....14
  - H801SCUV Board Description .....15
- Control Boards (MCU) .....16
  - H801MCUD Board Description .....16
  - H801MCUD1 Board Description .....17
  - H801MCUE Board Description .....18
- Upstream Interface Boards (GIU) .....19
  - H801GICD Board Description .....19
  - H801GICE Board Description .....19
  - H801GICF Board Description .....20
  - H801GICG Board Description .....20
  - H801GICK Board Description .....21
  - H802GICK Board Description .....21
  - H801GSCA Board Description .....22
  - H801X1CA Board Description .....22
  - H801X2CA Board Description .....23
  - H801X2CS Board Description .....23

H802X2CS Board Description .....	24
H801X2CK Board Description .....	24
H802P2CA Board Description.....	25
Universal Interface Board (GPIO).....	25
H801BIUA Board Description .....	25
H801CITA Board Description.....	26
H801CITD Board Description.....	27
Power Board (PRT) .....	28
H801PRTA Board Description.....	28
H801PRTE Board Description .....	28
H801PRTG Board Description .....	29
Power Boards (MPW) .....	30
H801MPWC Board Description .....	30
H801MPWD Board Description.....	30
H801MPWE Board Description .....	31
SPU Boards.....	33
H801SPUA Board Description .....	33
H801SPUB Board Description.....	34
H801SPUC Board Description.....	35
H801SPUF Board Description.....	36
Ethernet Service Access Boards (ETH).....	37
H801ETHA Board Description .....	37
H801ETHB Board Description.....	38
TDM Service Processing Boards .....	39
H801TOPA Board Description .....	39
H801TOPB Board Description .....	40
H801CSPA Board Description.....	41

GPON Service Boards.....	42
H801GPBC Board Description .....	42
H802GPBD Board Description .....	43
H805GPBD Board Description .....	44
H806GPBH Board Description .....	45
H807GPBH Board Description .....	46
H802GPFD Board Description .....	47
H805GPFD Board Description .....	48
H801GPMD Board Description.....	49
10G GPON Service Boards .....	50
10G GPON service boards work with ONUs to provide 10G GPON access service. ....	50
H802XGBC Board Description .....	50
H801XGBD Board Description .....	51
Adsl2+ Service Boards .....	52
H805ADIF Board Description .....	52
H808ADIF Board Description .....	53
H808ADLE Board Description.....	54
H805ADLF Board Description.....	55
H808ADLF Board Description.....	56
H805ADPD Board Description .....	57
H80BADPE Board Description .....	58
H808ADPM Board Description.....	59
H807ADPD Board Description.....	60
H807ADPE Board Description .....	61
VDSL2 Service Boards .....	62
H805VDSA Board Description .....	62
H805VDSF Board Description.....	63

H805VDTF Board Description .....	64
H805VDRD Board Description .....	65
H80BVDMF Board Description .....	66
H805VDMF Board Description .....	67
H80BVCMF Board Description .....	68
H80DVCPD Board Description .....	69
H80DVCPD Board Description .....	70
H80DVCPM Board Description .....	71
H80DSDPM Board Description .....	72
Basic Ordering Information .....	73
Where to Buy .....	78
Sources .....	78

## Contact Us

Tel: +1-626-239-8066 (USA) +852-3050-1066 / +852-3174-6166

Fax: +852-3050-1066 (Hong Kong)

Email: [sales@router-switch.com](mailto:sales@router-switch.com) (Sales Inquiries)

Huawei SmartAX MA5600T series is designed to support various boards, including control boards, services boards, power boards.

★ The MA5600T ETSI service subrack provides 16 slots for service boards, two slots for control boards, two slots for power boards, one for universal interface board and tow for upstream interface boards.

Fan Tray		
19. GIU	20. GIU	
18. Service Board		
17. Service Board		
16. Service Board		
15. Service Board		
14. Service Board		
13. Service Board		
12. Service Board		
11. Service Board		
10. Control Board		
9. Control Board		
8. Service Board		
7. Service Board		
6. Service Board		
5. Service Board		
4. Service Board		
3. Service Board		
2. Service Board		
1. Service Board		
21. Power Board	22. Power Board	0. GPIO

★ The MA5600T IEC service subrack provides 14 slots for service boards, two slots for control boards, two slots for power boards, one for universal interface board and tow for upstream interface boards.

Fan Tray		
17. GIU	18. GIU	
16. Service Board		
15. Service Board		
14. Service Board		
13. Service Board		
12. Service Board		
11. Service Board		
10. Service Board		
9. Service Board		
8. Control Board		
7. Control Board		
6. Service Board		
5. Service Board		
4. Service Board		
3. Service Board		
2. Service Board		
1. Service Board		
19. Power Board	20. Power Board	0. GPIO

★ The MA5603T service subrack provides 5 slots for service boards, two slots for control boards, two slots for power boards, one for universal interface board and two for upstream interface boards.

FAN	1. Service Board		
	2. Service Board		
	3. Service Board		
	4. Service Board		
	5. Service Board		
	6. Control Board		
	7. Control Board		
	8. GIU		9. GIU
	10. Power	11. Power	12. GPIO

★ An EA5800-X2 service subrack provides 5 slots, 2 for control boards, 1 for the power board, and 2 for service boards. EA5800-X2 supports 2 service slots with backplane H901BPSB.

FAN	0. Service Board		
	1. Service Board		
	2. Control Board	3. Control Board	4. Power Board

## Control Boards (SCU)

A control board, as the control and management unit of the system, configures, manages, and controls the device and also implements simple routing protocol functions.

**All SCU boards support the functions as below:**

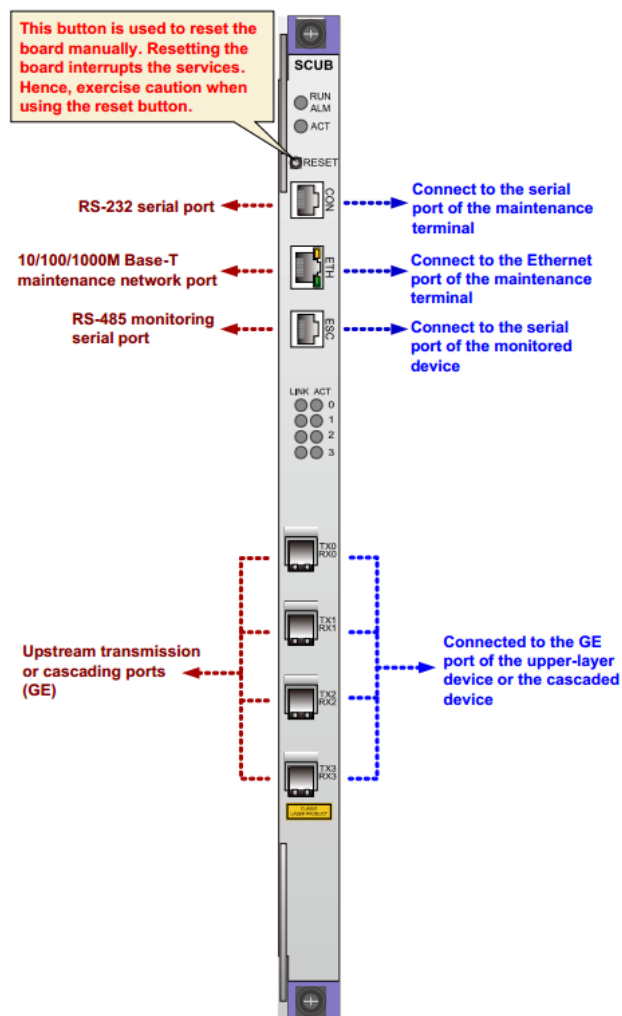
- System control and management unit
- Active/standby switchover

- Local and remote maintenance through maintenance serial port CON or maintenance Ethernet port ETH
- Environmental monitoring through environment monitoring serial port ESC

## H801SCUB Board Description

The [H801SCUB](#) board is a super control unit board. It is the core of the system control and service switching and aggregation. It can also function as the management and control core of the network management system (NMS). The H801SCUB board communicates with service boards about the key management and control information through the master/slave serial port and inband GE channel. In this way, the H801SCUB configures, manages, and controls the device. The H801SCUB also implements the simple route protocol function.

This is the front panel of the H801SCUB:

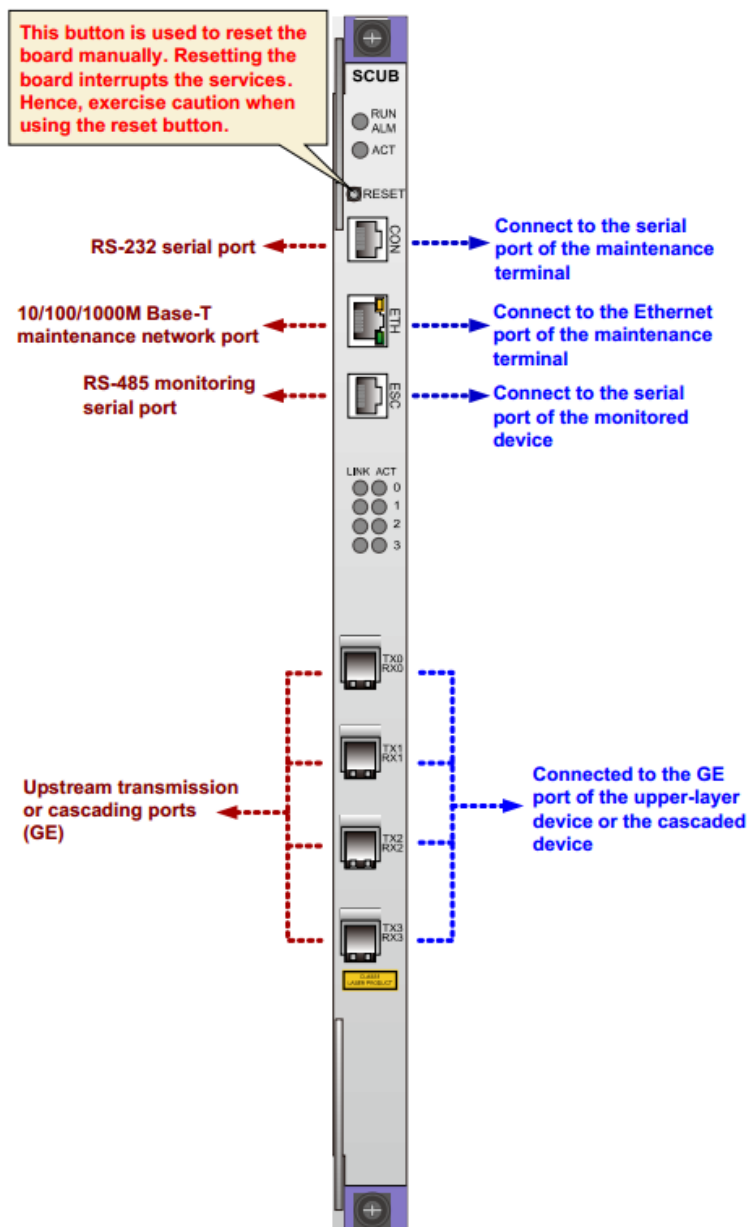




## H802SCUB Board Description

The [H802SCUB](#) board is a super control unit board. It is the core of the system control and service switching and aggregation. It can also function as the management and control core of the network management system (NMS). The H802SCUB board communicates with service boards about the key management and control information through the master/slave serial port and inband GE channel. In this way, the H802SCUB configures, manages, and controls the device. The H802SCUB also implements the simple route protocol function.

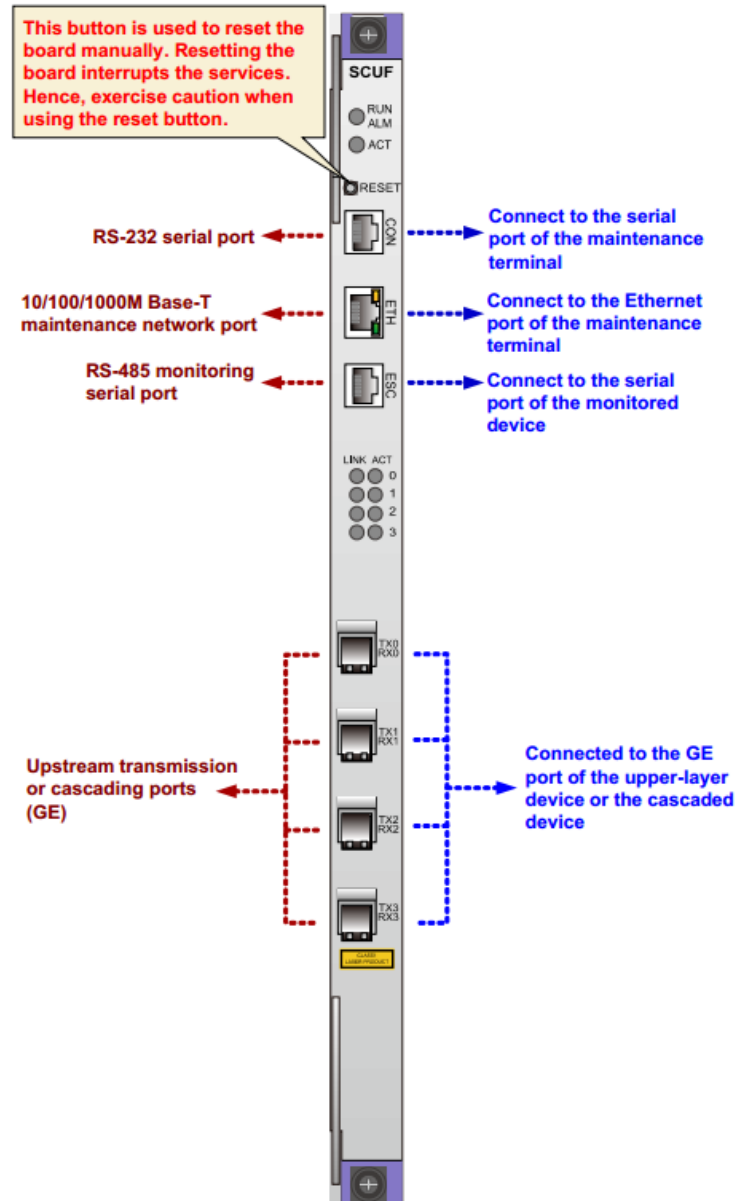
This is the front panel of the H802SCUB:



## H801SCUF Board Description

The H801SCUF is a super control unit board. It is the core of the system control, service switching, and aggregation. The H801SCUF can also function as the management and control core of the integrated network management system (NMS). The H801SCUF communicates with service boards about the key management and control information through the master/ slave serial port and inband GE/10GE channel. In this manner, the H801SCUF configures, manages, and controls the device, and also implements the simple route protocol function.

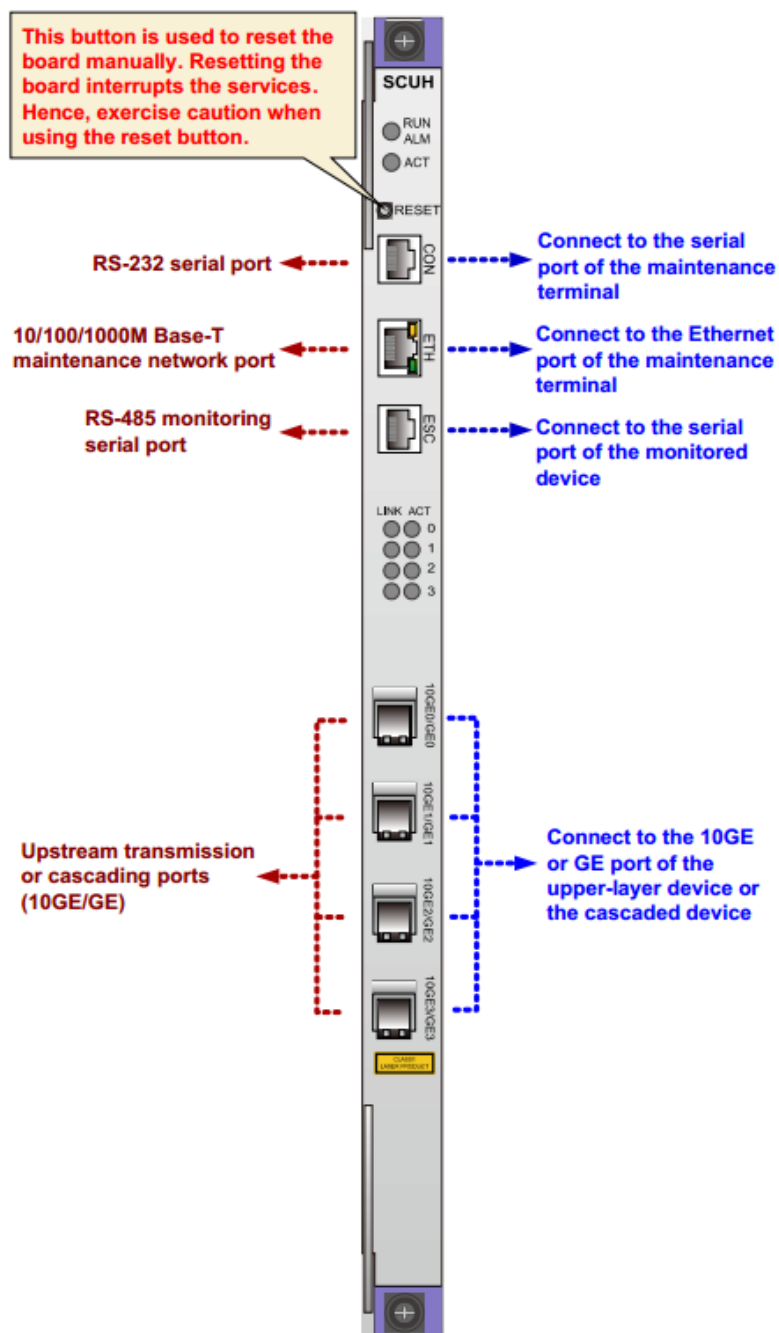
This is the front panel of the H801SCUF:



## H801SCUH Board Description

The [H801SCUH](#) board is a super control unit board. It is the core of the system control and service switching and aggregation. The H801SCUH board can also function as the management and control core of the integrated network management system (NMS). It communicates with service boards about the key management and control information through the master/slave serial port and inband 10GE/20GE channel. In this manner, the H801SCUH board configures, manages, and controls the device, and also implements the simple route protocol functions.

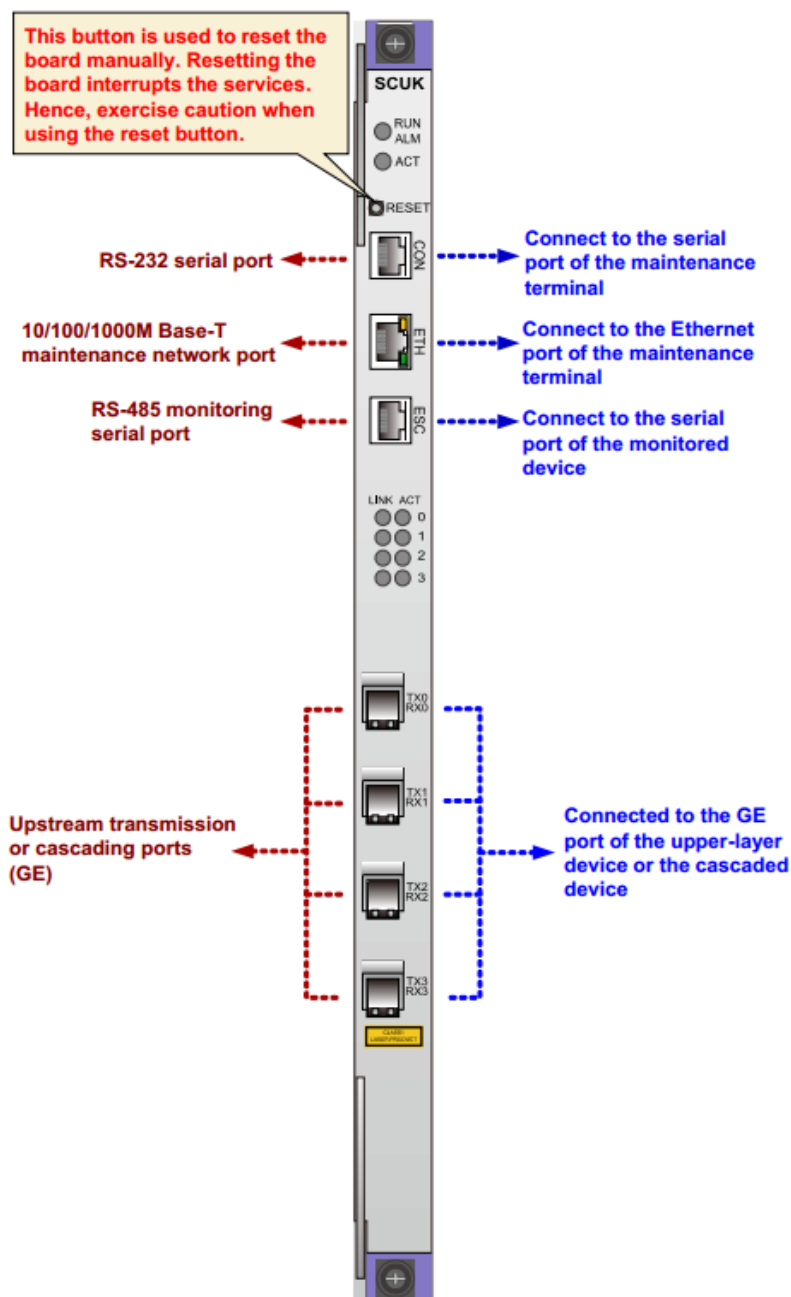
This is the front panel of the H801SCUH:



## H801SCUK Board Description

The [H801SCUK](#) board is a super control unit board. It is the core of the system control and service switching and aggregation. The H801SCUK board can also function as the management and control core of the integrated network management system (NMS). It communicates with service boards about the key management and control information through the master/slave serial port and inband GE/10GE channel. In this manner, the H801SCUK board configures, manages, and controls the device, and also implements the simple route protocol functions.

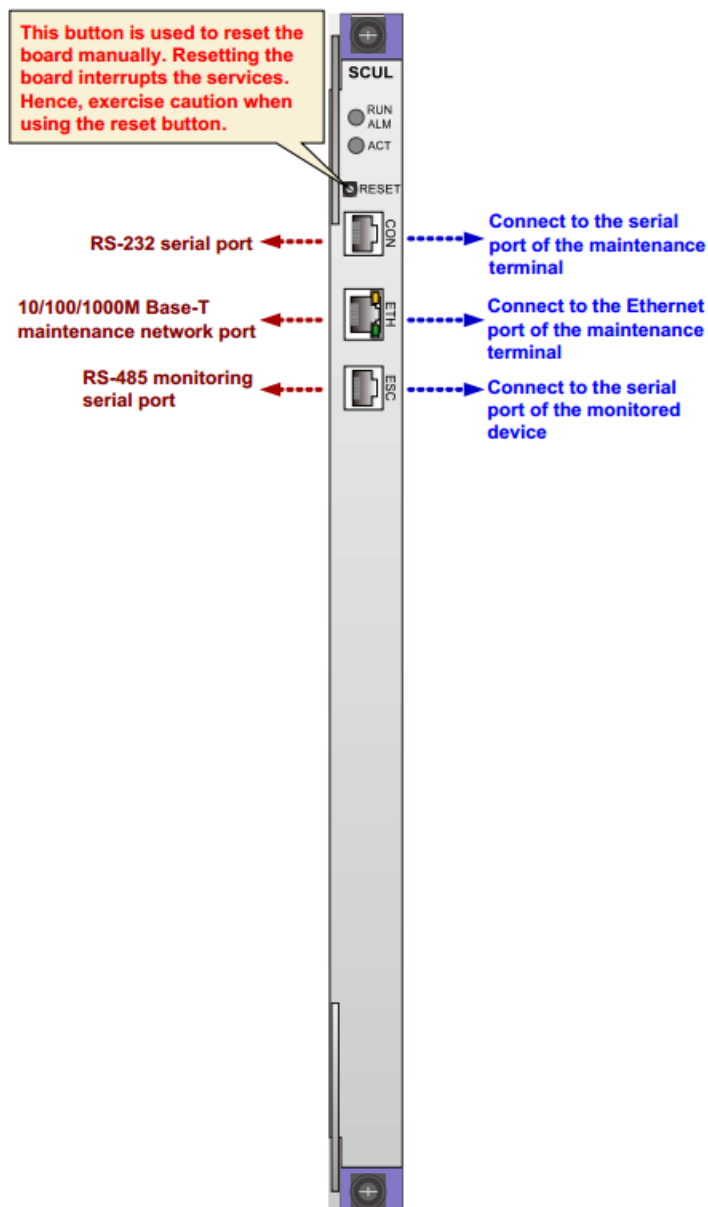
This is the front panel of the H801SCUK:



## H801SCUL Board Description

The H801SCUL board is a super control unit board. It mainly controls the system and processes broadband services. The H801SCUL board communicates with the service boards through the GE channel or the 10GE channel to configure, manage, and control the device. It also implements the simple route protocol functions. The H801SCUL board processes the alarms through the inband NMS. Based on the upper-layer protocol between the H801SCUL board and the service boards, the software of the H801SCUL separates the management information such as alarms from the information reported by the service boards. Then, the H801SCUL board identifies and processes the information.

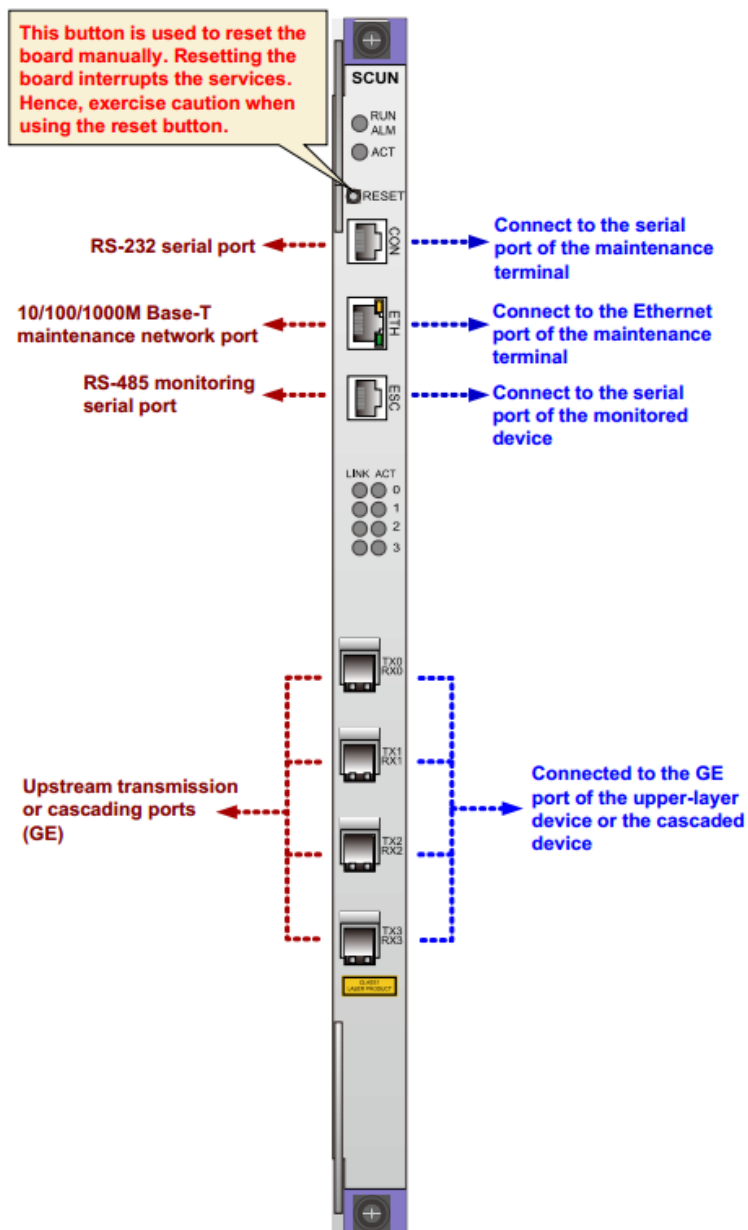
This is the front panel of the H801SCUL:



## H801SCUN Board Description

The [H801SCUN](#) board is a super control unit board. It is the core of the system control and service switching and aggregation. The H801SCUN board can also function as the management and control core of the integrated network management system (NMS). It communicates with service boards about the key management and control information through the master/slave serial port and inband GE/10GE channel. In this manner, the H801SCUN board configures, manages, and controls the device, and also implements the simple route protocol functions.

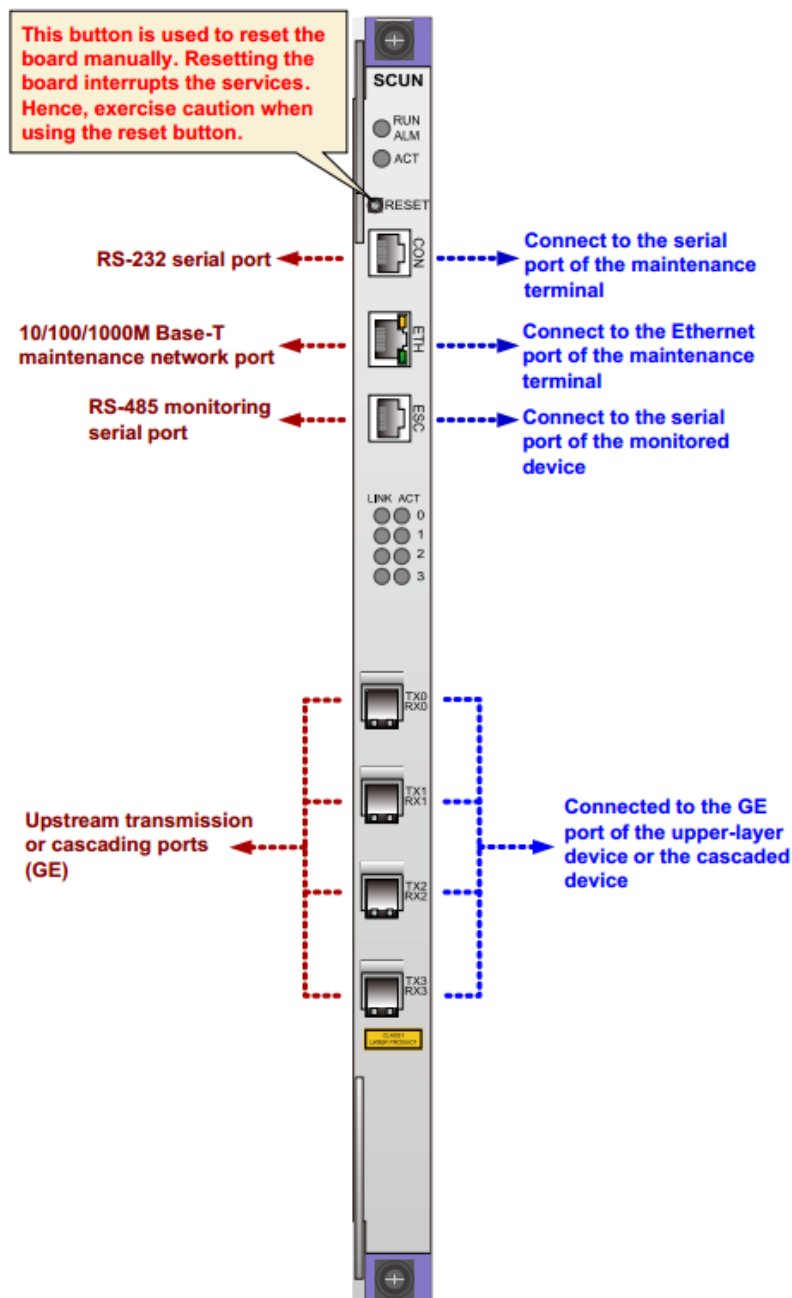
This is the front panel of the H801SCUN:



## H802SCUN Board Description

The H802SCUN board is a super control unit board. It is the core of the system control and service switching and aggregation. The H802SCUN board can also function as the management and control core of the integrated network management system (NMS). It communicates with service boards about the key management and control information through the master/slave serial port and inband GE/10GE channel. In this manner, the H802SCUN board configures, manages, and controls the device, and also implements the simple route protocol functions.

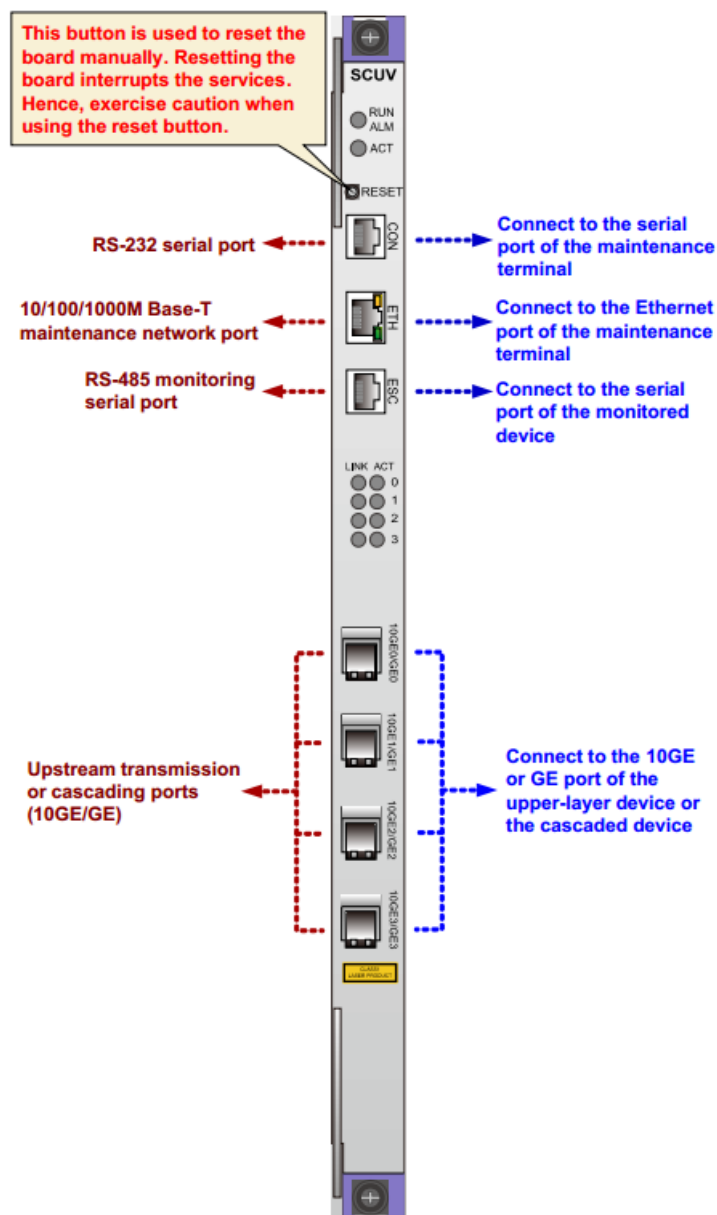
This is the front panel of the H802SCUN:



## H801SCUV Board Description

The [H801SCUV](#) board is a super control unit board. It is the core of the system control and service switching and aggregation. The H801SCUV board can also function as the management and control core of the integrated network management system (NMS). It communicates with service boards about the key management and control information through the master/slave serial port and inband 10GE/20GE channel. In this manner, the H801SCUV board configures, manages, and controls the device, and also implements the simple route protocol functions.

This is the front panel of the H801SCUV:





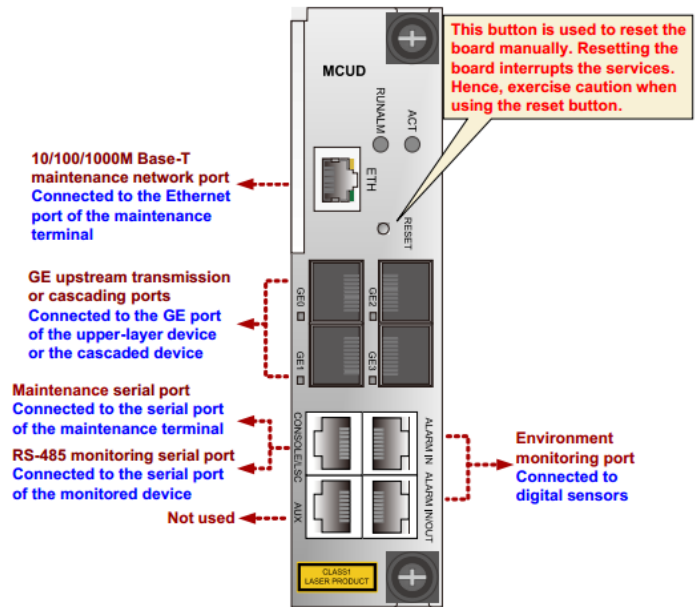
### All MCU boards support the functions as below:

- System control and management unit
- Active/standby switchover and load sharing
- Local and remote maintenance through maintenance serial port CON or maintenance Ethernet port ETH
- Environmental monitoring
- Synchronization with the Ethernet clock
- Temperature querying and high temperature alarming
- Monitoring and management of the fan tray
- Seven alarm digital inputs (DIs) and one alarm digital output (DO)
- Copper and optical access

### H801MCUD Board Description

The [H801MCUD](#) board is a mini control unit board. It is the core of the system control and service switching and aggregation. The H801MCUD board can also function as the management and control core of the integrated network management system (NMS). It communicates with service boards about the key management and control information through the master/slave serial port and inband GE/10GE channel. In this manner, the H801MCUD board configures, manages, and controls the device, and also implements the simple route protocol functions.

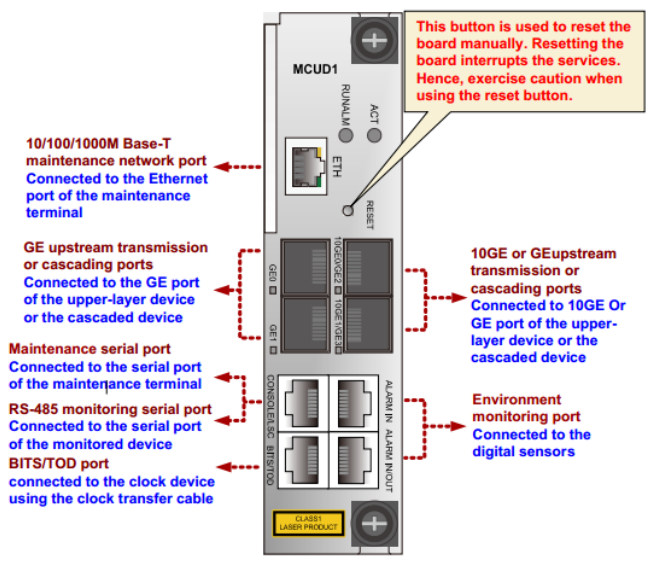
### This is the front panel of the H801MCUD:



## H801MCUD1 Board Description

The [H801MCUD1](#) board is a mini control unit board. It is the core of the system control and service switching and aggregation. The H801MCUD1 board can also function as the management and control core of the integrated network management system (NMS). It communicates with service boards about the key management and control information through the master/slave serial port and inband GE/10GE channel. In this manner, the H801MCUD1 board configures, manages, and controls the device, and also implements the simple route protocol functions.

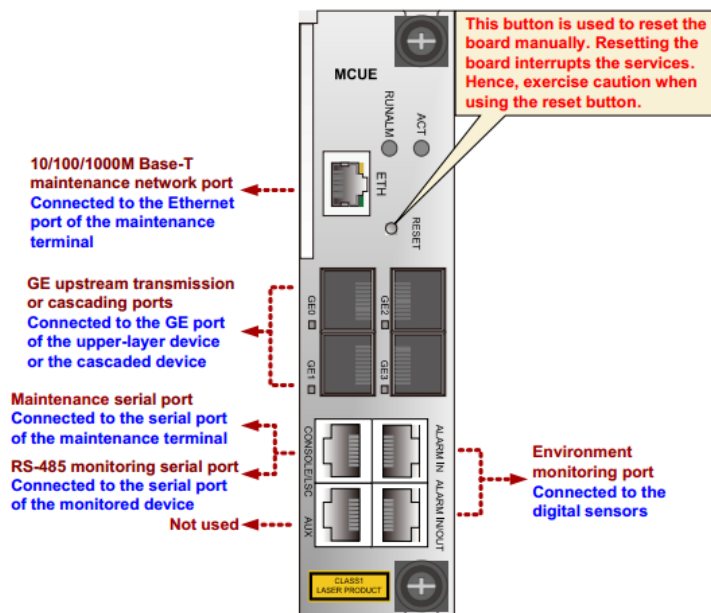
This is the front panel of the H801MCUD1:



## H801MCUE Board Description

The [H801MCUE](#) board is a mini control unit board. It is the core of the system control and service switching and aggregation. The H801MCUE board can also function as the management and control core of the integrated network management system (NMS). It communicates with service boards about the key management and control information through the master/slave serial port and inband GE/10GE channel. In this manner, the H801MCUE board configures, manages, and controls the device, and also implements the simple route protocol functions.

This is the front panel of the H801MCUE:

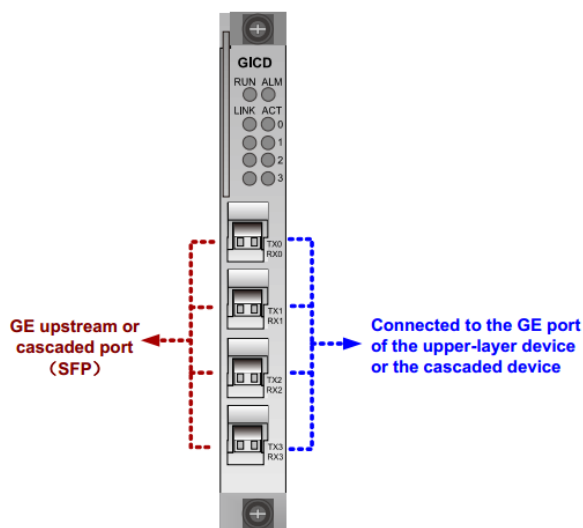


Upstream interface boards provide upstream or cascading ports for the system. GIU is short for general interface unit.

### H801GICD Board Description

The H801GICD board is a 4-port GE optical interface card, providing upstream or cascading optical ports.

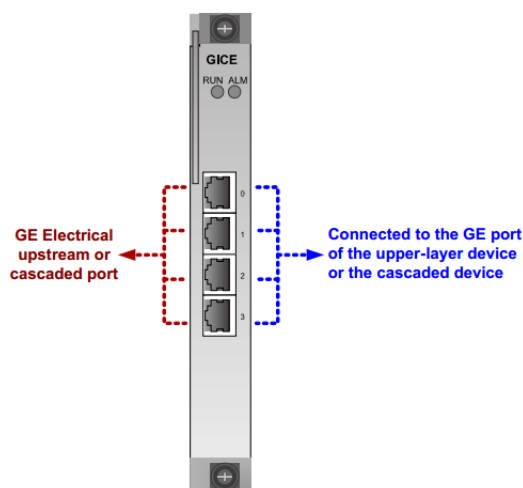
This is the front panel of the H801GICD:



### H801GICE Board Description

The H801GICE board is a 4-port GE electrical interface card, providing upstream or cascading electrical ports.

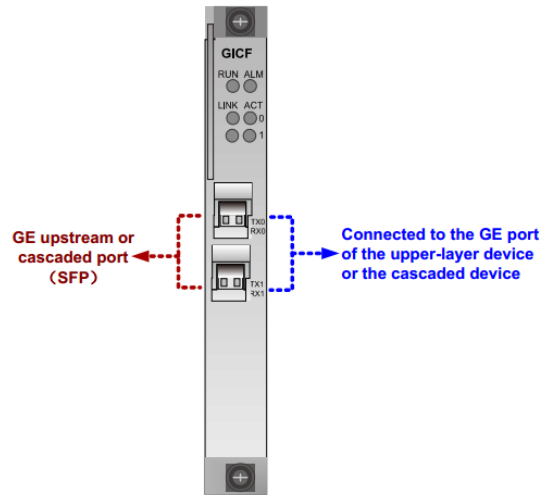
This is the front panel of the H801GICE:



## H801GICF Board Description

The H801GICF board is a 2-port GE optical interface card, providing upstream or cascading optical ports.

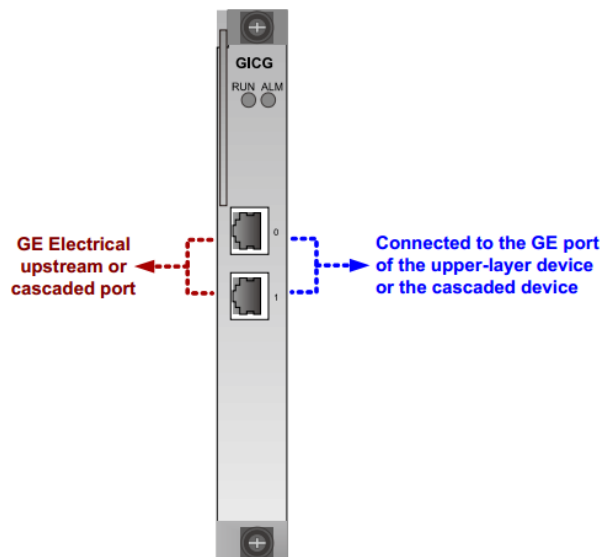
This is the front panel of the H801GICF:



## H801GICG Board Description

The H801GICG board is a 2-port GE electrical interface card, providing upstream or cascading electrical ports.

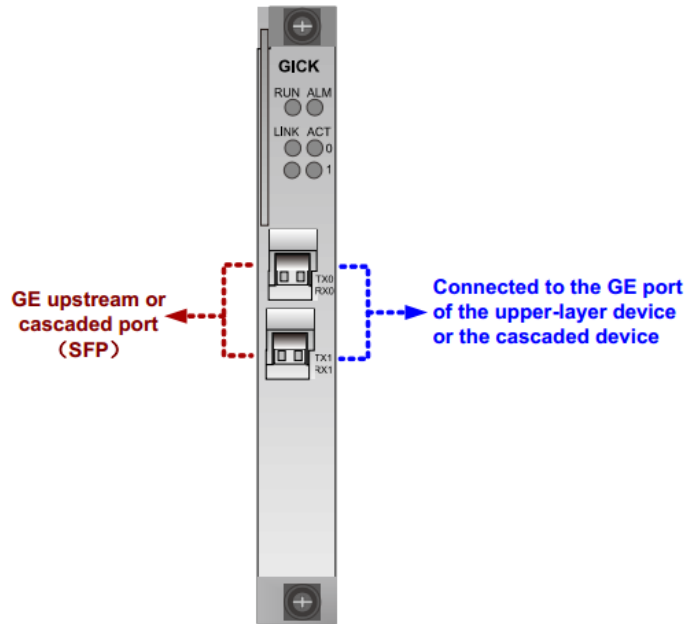
This is the front panel of the H801GICG:



## H801GICK Board Description

The H801GICK board is a 2-port GE optical interface card, providing two upstream or cascading GE optical ports, and it supports the 1588V2 clock signal.

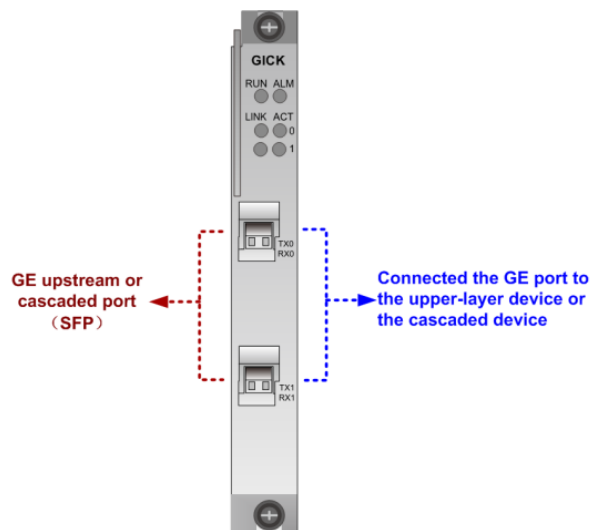
This is the front panel of the H801GICK:



## H802GICK Board Description

The H802GICK board is a 2-port GE uplink interface card that provides two GE upstream or cascading optical ports.

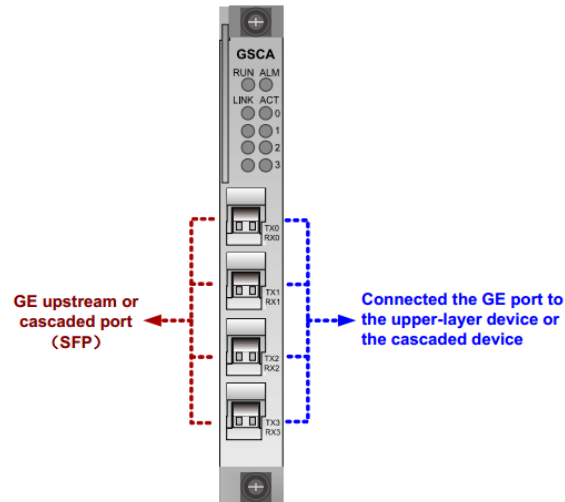
This is the front panel of the H802GICK:



## H801GSCA Board Description

The H801GSCA board is a GE synchronous ethernet interface card. It extracts the clock signals of the line and transmits the synchronized clock signals.

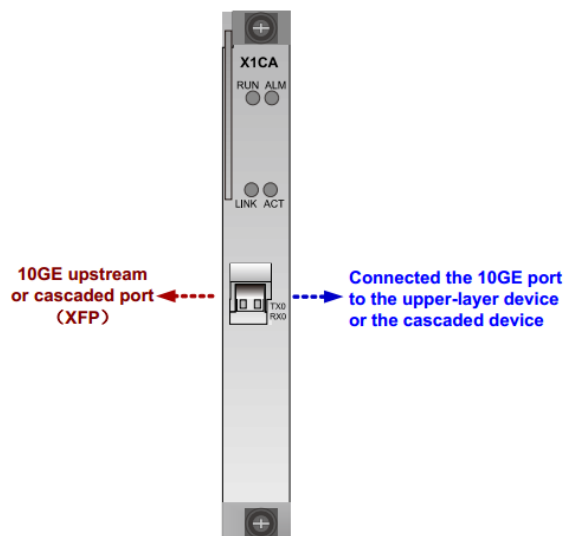
This is the front panel of the H801GSCA:



## H801X1CA Board Description

The H801X1CA board is a 1-port 10GE XFP optical interface unit board that provides one 10GE upstream or cascading optical port.

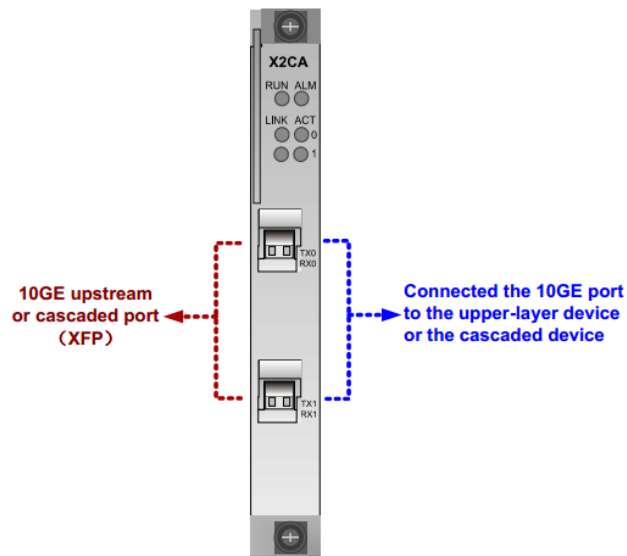
This is the front panel of the H801X1CA:



## H801X2CA Board Description

The H801X2CA board is a 2-port 10GE XFP optical interface unit board that provides two 10GE upstream or cascading optical ports.

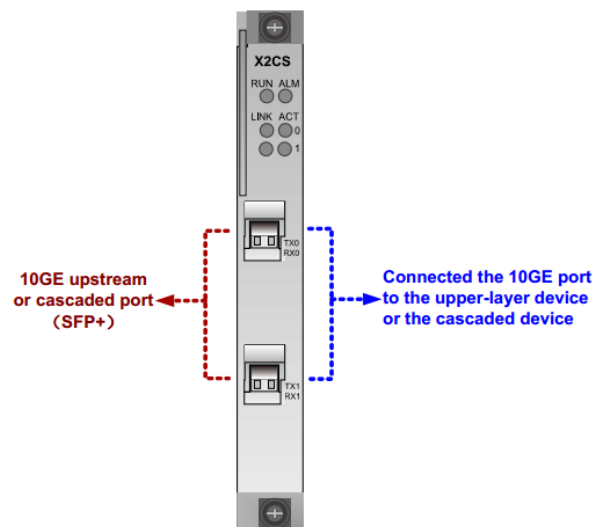
This is the front panel of the H801X2CA:



## H801X2CS Board Description

The H801X2CS board is a 2-port 10GE uplink interface card that provides two 10GE upstream or cascading optical ports.

This is the front panel of the H801X2CS:

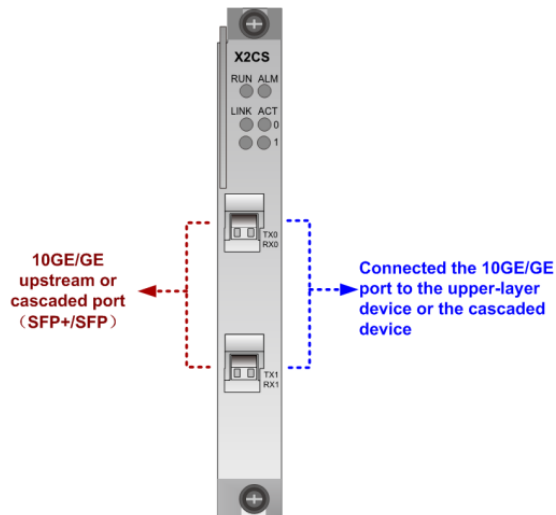




## H802X2CS Board Description

The H802X2CS board is a 2-port 10GE/GE uplink interface card that provides two 10GE/GE upstream or cascading optical ports.

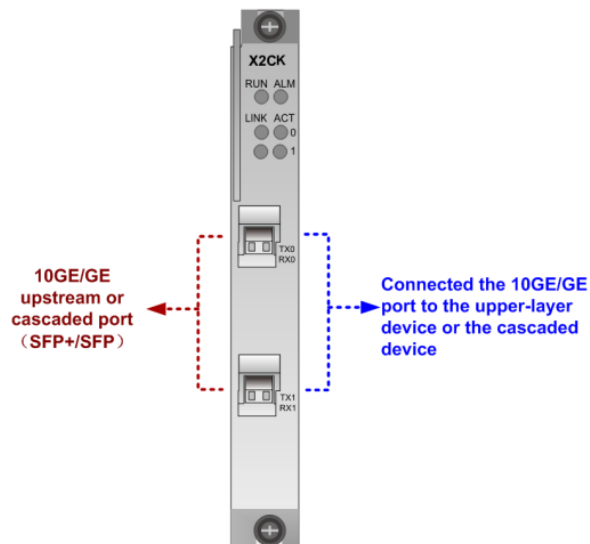
This is the front panel of the H802X2CS:



## H801X2CK Board Description

The H801X2CK board is a 2-port 10GE/GE uplink interface card that provides two 10GE/GE upstream or cascading optical ports.

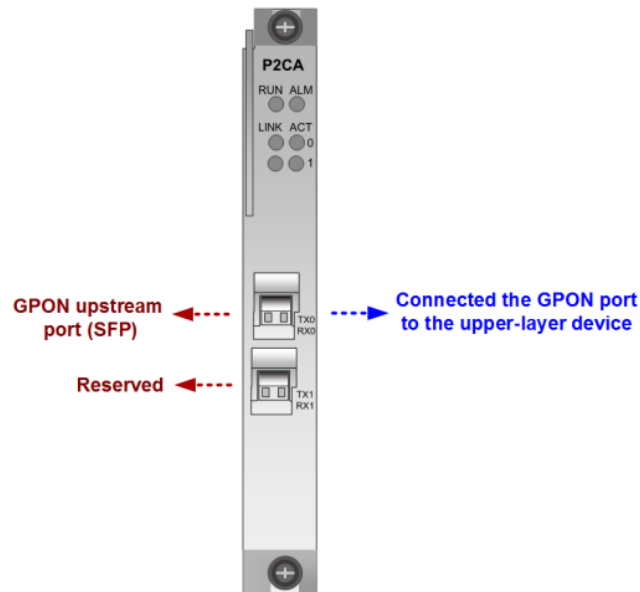
This is the front panel of the H801X2CK:



## H802P2CA Board Description

The H802P2CA board is 2-port GPON optical interface board. It provides one SFP GPON upstream port (TX0/RX0).

This is the front panel of the H802P2CA:



## Universal Interface Board (GPIO)

Universal interface boards (installed in the GPIO slot) receive the clock signals and ESC parameters. GPIO is short for general purpose input/output.

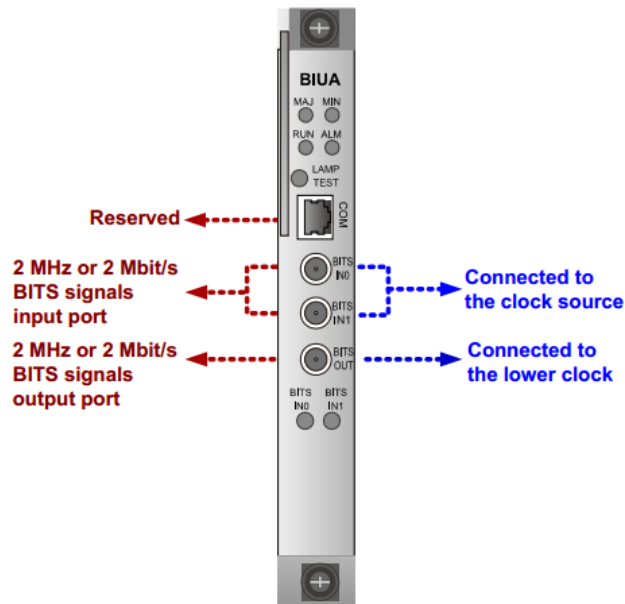
## H801BIUA Board Description

The H801BIUA board is a BITS interface Unit board, providing BITS input and output functions.

The H801BIUA board supports the following functions:

- Two standard BITS clock inputs and one standard BITS clock output
- Input and output of 2 MHz and E1 signals
- Tracing the input clock source of the two channels of BITS clock or tracing the output clock source of the control board
- Multiple working modes, such as tracing, holdover, and free-run

This is the front panel of the H801BIUA:



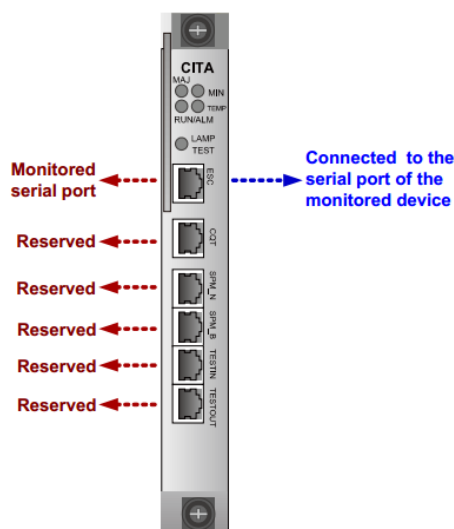
## H801CITA Board Description

H801CITA is a combo interface Transfer board that provides an ESC port.

The H801CITA board supports the following functions:

- Provides an ESC port for reporting various monitored information to the control board.
- Provides indicators for system alarms.

This is the front panel of the H801CITA:



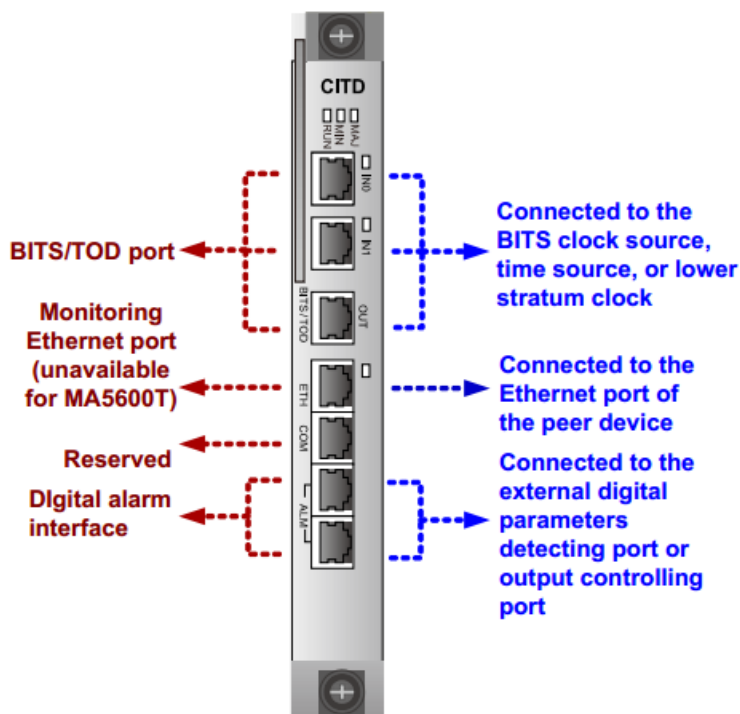
## H801CITD Board Description

[H801CITD](#) is a combo interface Transfer board that provides an ESC port.

The H801CITD board supports the following functions:

- Seven inputs of alarm digital parameters and one output of digital controlling parameters
- External monitoring Ethernet port to transparently transmit monitored data
- When configured with the BITSB clock daughter board, the CITD board also provides the following functions:
  - Two inputs of 2 Mbit/s or 2 MHz BITS clock signals
  - Two inputs of 1 PPS+TOD time signals(supported in V800R013C10 and later versions)
  - One output of 2 Mbit/s or 2 MHz clock signals
  - One output of 1PPS time signals (supported in V800R013C10 and later versions)

This is the front panel of the H801CITD:



Power boards (PRT) lead in DC power for supplying power to the device MA5600T or MA5603T.

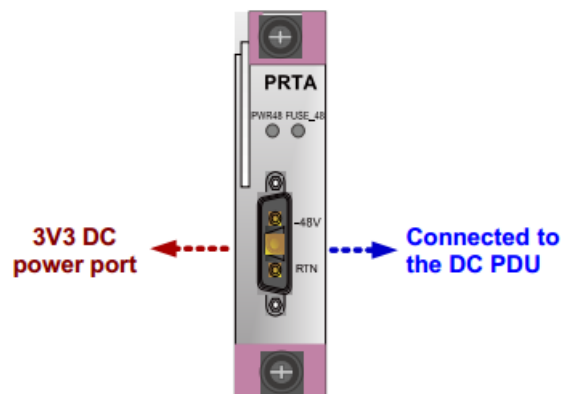
### H801PRTA Board Description

The [H801PRTA](#) board is a power transfer board. It leads in -48 V or -60 V DC power for supplying power to the device.

The H801PRTA board supports the following functions:

- One -48 V or -60 V DC power input (input voltage range: -38.4 V to -72 V)
- Input undervoltage alarming using the indicator and related information reporting
- Fuse blow alarming using the indicator and related information reporting

This is the front panel of the H801PRTA:



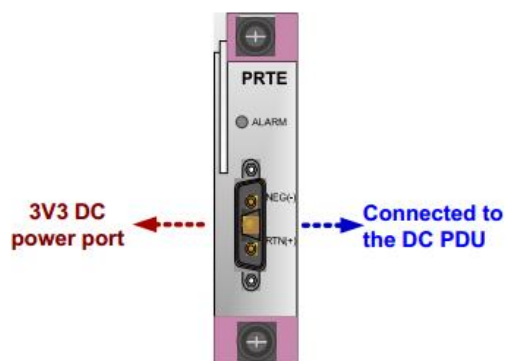
### H801PRTE Board Description

The [H801PRTE](#) is a connect power board. It leads in the -48 V or -60 V DC power supply for the device.

The H801PRTE board supports the following functions:

- One -48 V or -60 V DC power input (input voltage range: -38.4 V to -72 V)
- Filtering and current-limiting for the power input port
- Under-voltage detection, detection of whether the input power exists, and fault detection
- Combined reporting of the protection alarm and board online signal
- ALARM indicator

This is the front panel of the H801PRTE:



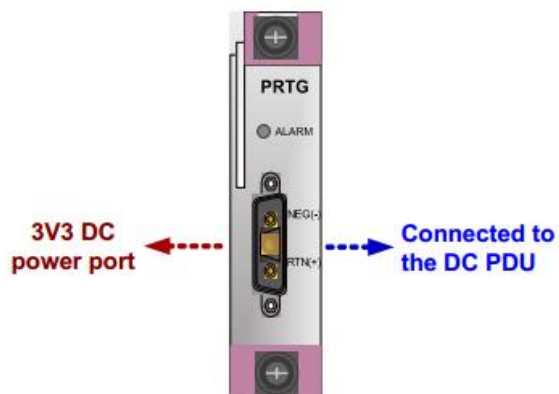
## H801PRTG Board Description

The [H801PRTG](#) is a connect power board. It leads in the -48 V or -60 V DC power supply for the device.

The H801PRTG board supports the following functions:

- One -48 V or -60 V DC power input (input voltage range: -38.4 V to -72 V)
- Filtering for the power input port

This is the front panel of the H801PRTG:



Power boards (MPW) lead in DC or AC power for supplying power to the device MA5608T.

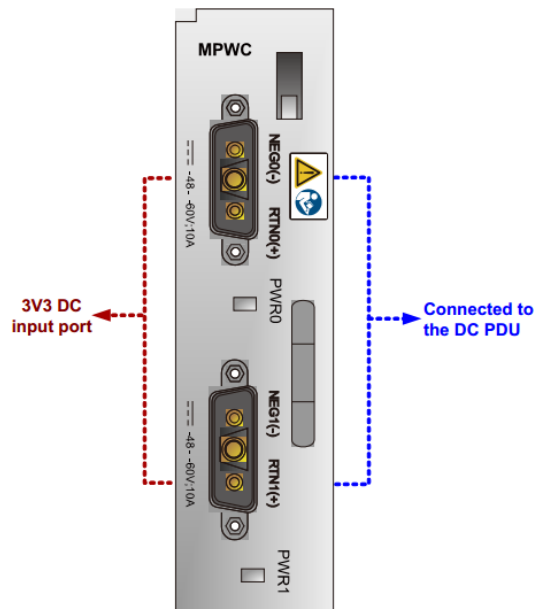
### H801MPWC Board Description

The [H801MPWC](#) board is a power board with dual DC power inputs. The H801MPWC board leads in the -48 V or -60 V DC power to the device.

The H801MPWC board supports the following functions:

- Two -48 V or -60 V DC power inputs (input voltage range: -38.4 V to -72 V)
- Filtering and current-limiting for the power input port
- Detection of power supply availability, and power supply faults
- Reporting of the protection alarm
- Indication of power status

This is the front panel of the H801MPWC:



### H801MPWD Board Description

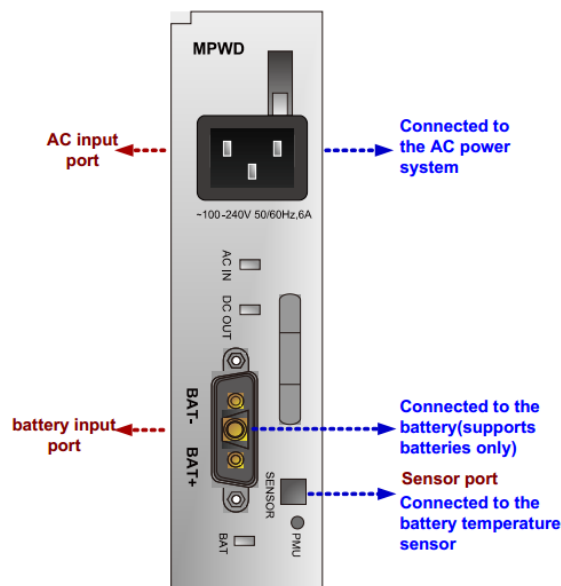
The [H801MPWD](#) board is an AC power board, consisting of an AC power unit and a monitoring unit. The board supplies power to the device and supports the lead-acid battery for power backup. The AC power unit provides overcurrent protection, output

overvoltage protection, short circuit protection, and over-temperature protection. The monitoring unit provides comprehensive management for the power system and storage battery, and also provides certain environment monitoring functions.

**The H801MPWD board supports the following functions:**

- Input AC voltage: -100 V to -240 V
- Input AC frequency: 50 Hz to 60 Hz
- Single-phase three-wire AC power input
- Connection to battery backup power (-48V DC)
- Rated output power: 400 W
- Alarm monitoring
- Battery low voltage disconnection; charge and discharge management of storage batteries

**This is the front panel of the H801MPWD:**



**H801MPWE Board Description**

The H801MPWE board is a power board with single DC power inputs. The H801MPWE board leads in the -48 V or -60 V DC power to the device.

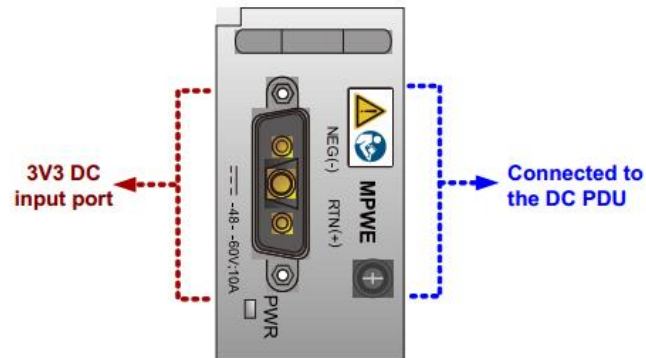
**The H801MPWE board supports the following functions:**

- One -48 V or -60 V DC power inputs (input voltage range: -38.4 V to -72 V)



- Filtering and current-limiting for the power input port
- Detection of power supply availability, and power supply faults
- Reporting of the protection alarm
- Indication of power status
- Backup for the other board

**This is the front panel of the H801MPWE:**

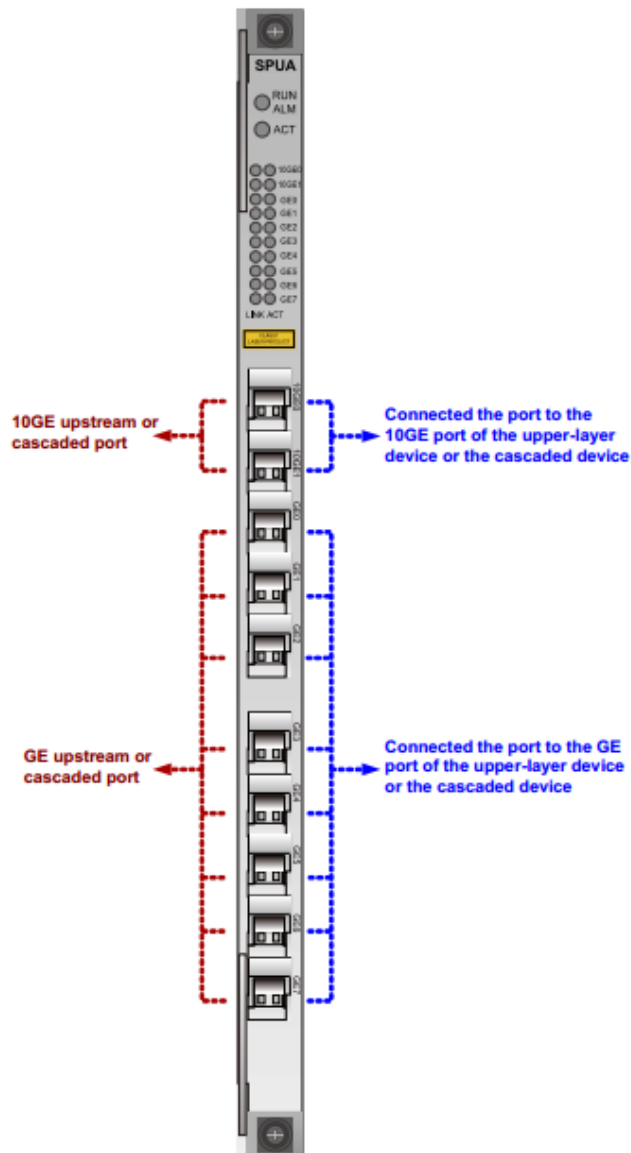


SPU is a service processing board.

### H801SPUA Board Description

The H801SPUA board is a service processing board, it supports upstream transmission and cascading.

This is the front panel of the H801SPUA:



## H801SPUB Board Description

The H801SPUB board is a MPLS service processing unit board.

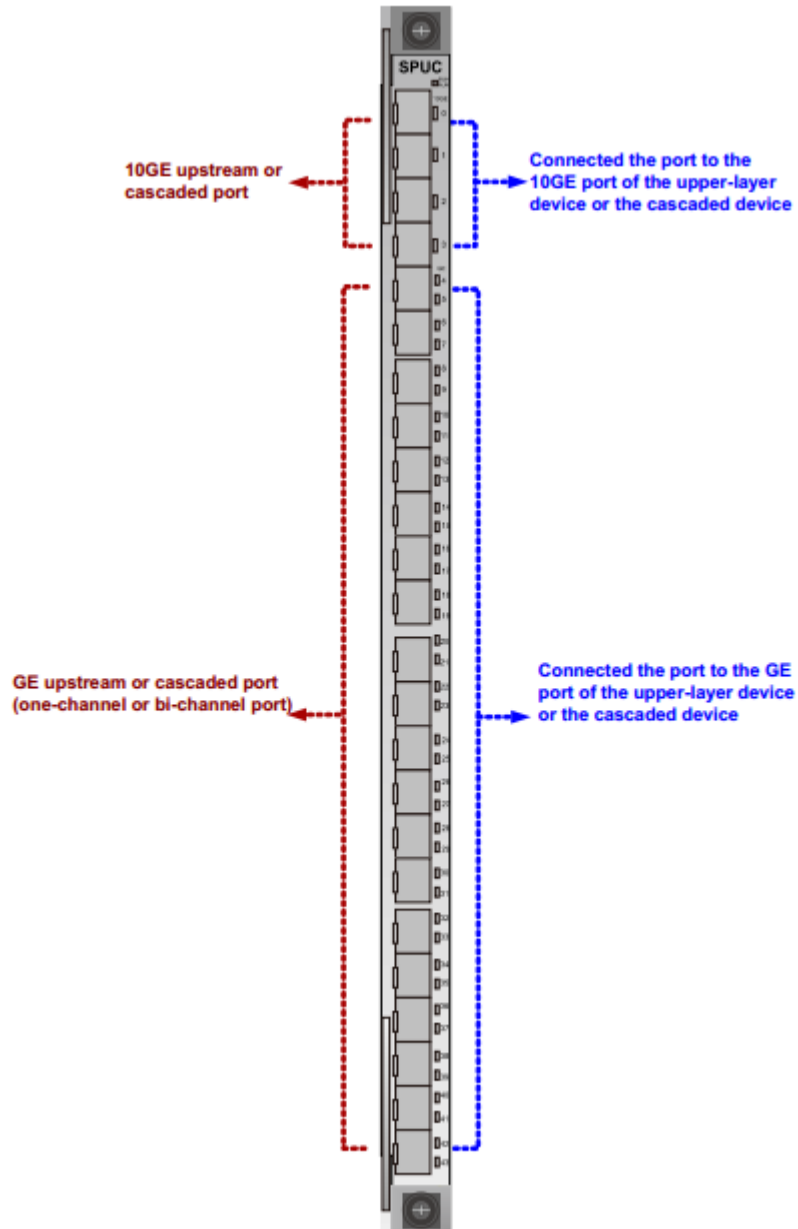
**This is the front panel of the H801SPUB:**



## H801SPUC Board Description

The [H801SPUC](#) board is a service processing board, and it implements extended functions of the OLT upstream interface. This board is mainly used in the Open Access scenario and is used as an upstream interface board.

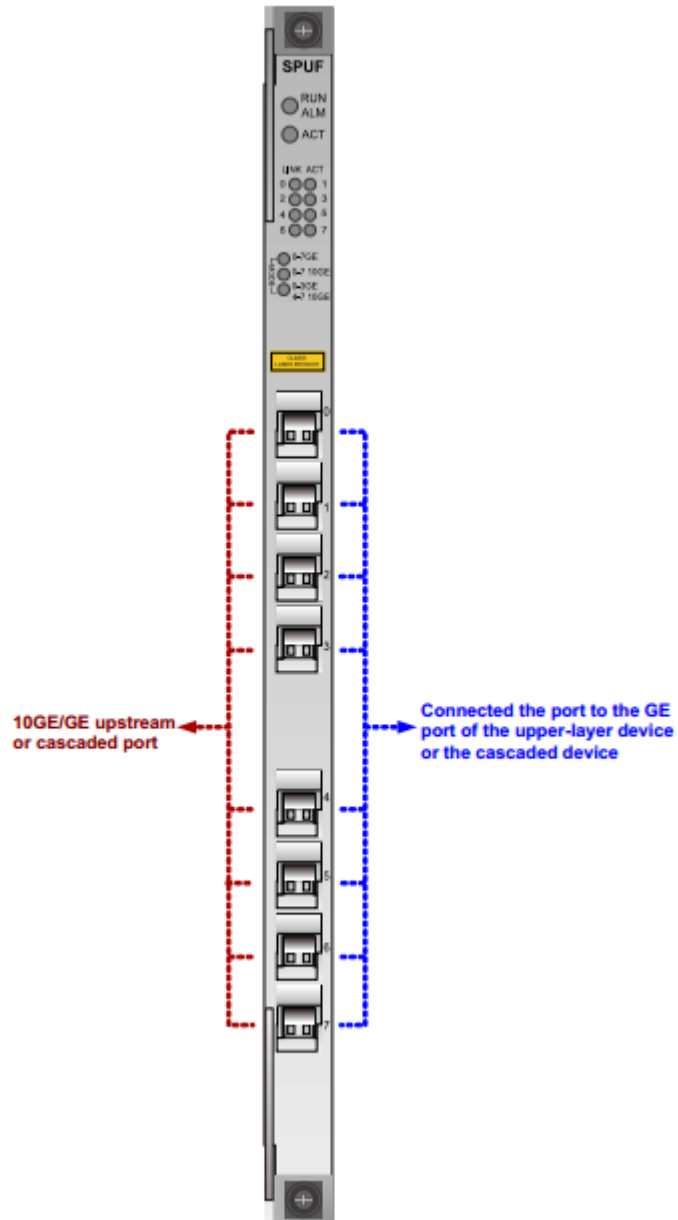
This is the front panel of the H801SPUC:



## H801SPUF Board Description

The [H801SPUF](#) board is a multifunctional service processing board, expanding ARP and ND entries and route entries and enhancing Layer 3 forwarding capabilities.

This is the front panel of the H801SPUF:

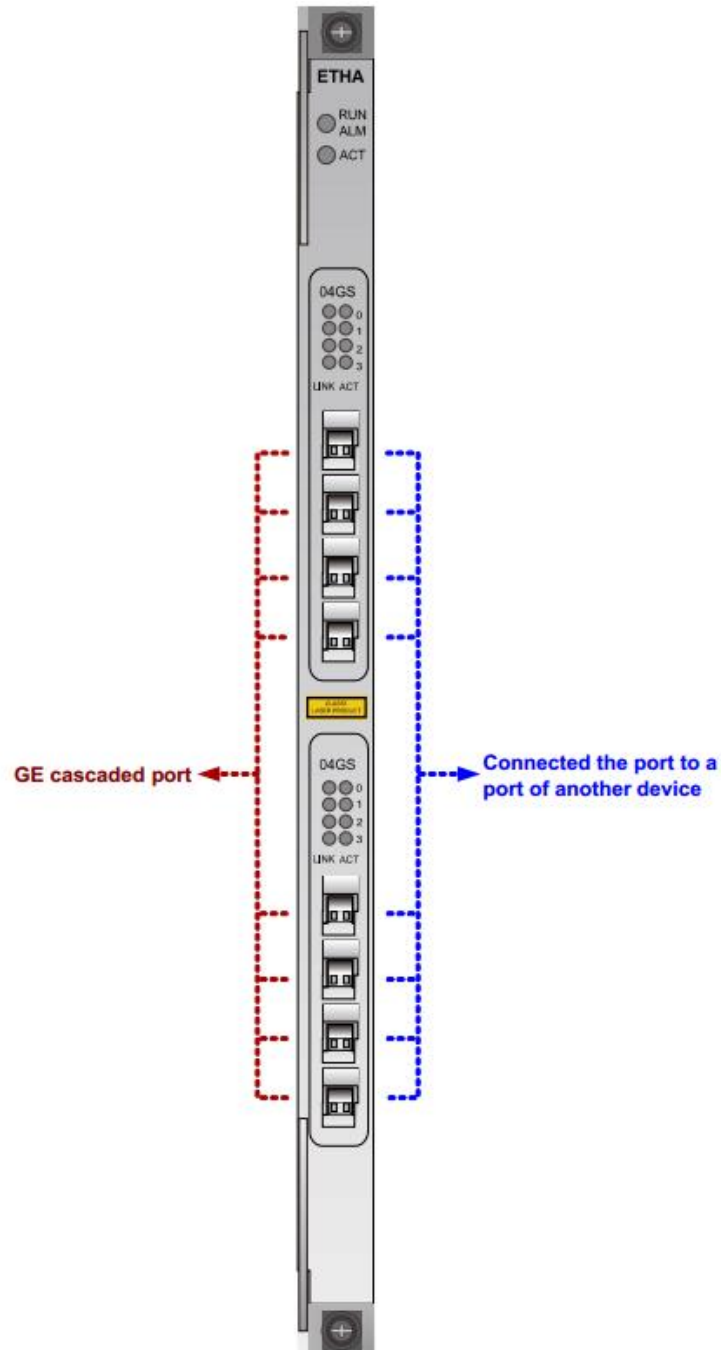


## Ethernet Service Access Boards (ETH)

Ethernet service access boards provide Ethernet service cascading or upstream transmission, which does not support user access and user management.

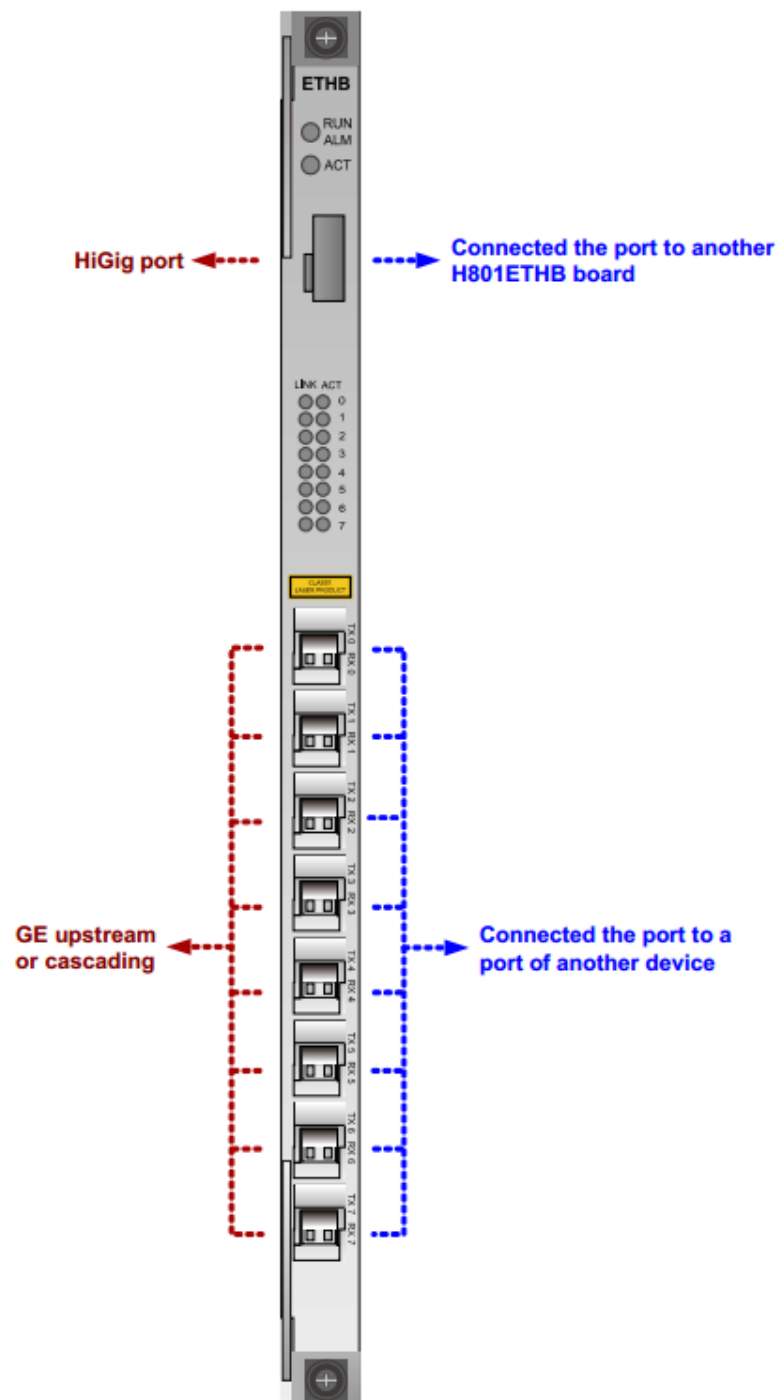
### H801ETHA Board Description

This is the front panel of the H801ETHA:



## H801ETHB Board Description

This is the front panel of the H801ETHB:



TDM service processing boards include H801TOPA, H801TOPB and H801CSPA.

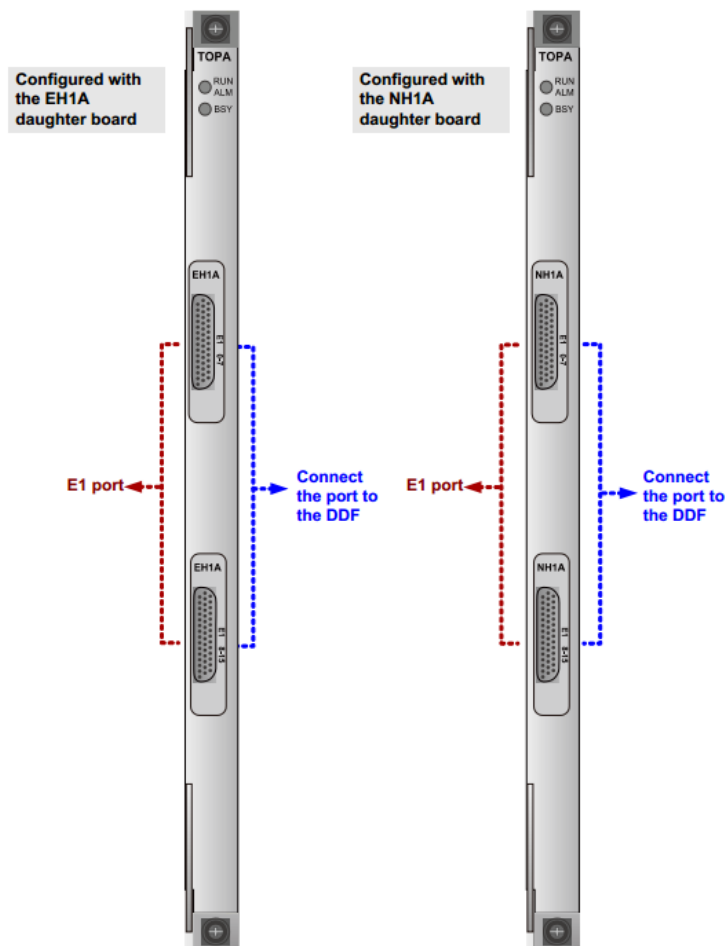
## H801TOPA Board Description

The [H801TOPA](#) is a TDM traffic over PSN board. It uses the daughter board to transmit services upstream.

The H801TOPA board supports the following functions:

- Native TDM function (when the NH1A/O2CE daughter board is configured)
- CESoP function (when the EH1A/CSSA daughter board is configured)
- TDM signal upstream transmission through the 16 channels of E1 port (when the NH1A/ EH1A daughter board is configured)
- TDM signal upstream transmission through the 2 channels of STM-1 optical port (when the O2CE/CSSA daughter board is configured)

This is the front panel of the H801TOPA:





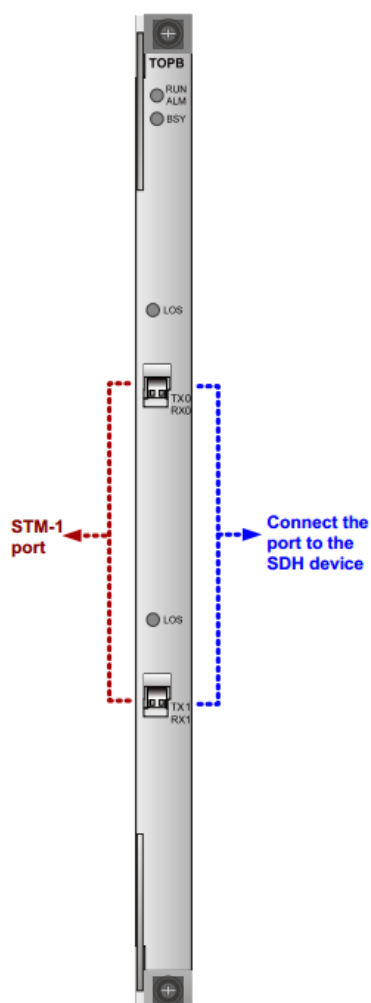
## H801TOPB Board Description

The [H801TOPB](#) is a TDM traffic over PSN board. It provides two STM-1 ports for transmitting TDM services to the upstream.

The H801TOPB board supports the following functions:

- Native TDM function
- CESoP function
- TDM signal upstream transmission through two STM-1 optical ports
- Intra-board and inter-board 1+1 port protection
- Automatic shutdown in times of high temperatures

This is the front panel of the H801TOPB:



## H801CSPA Board Description

The H801CSPA is a CESoP service processing board. It supports the structure-agnostic TDM over packet (SAToP) processing of 64 channels of E1 signals.

**The H801CSPA board supports the following functions:**

- SAToP processing of 64 channels of E1 signals
- 8 kHz clock channel from the H801CSPA board to the backplane, which is used to transmit the clock signals recovered from the service to the control board
- Automatic power shutdown in case of a high temperature

**This is the front panel of the H801CSPA:**

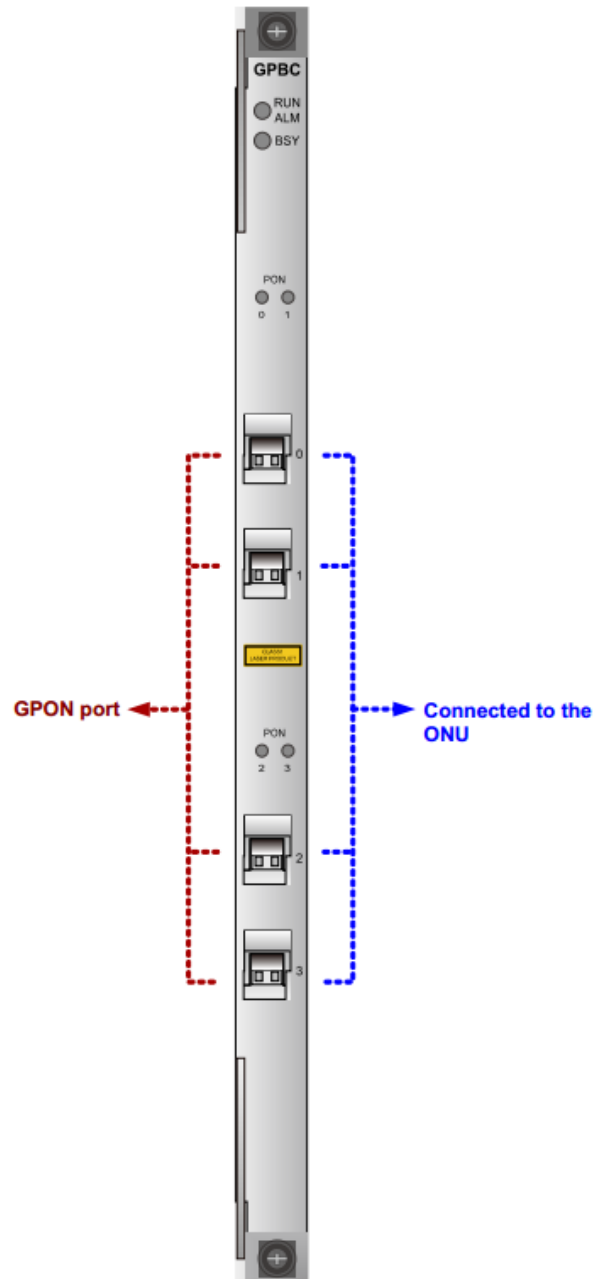


GPON service boards work with ONUs to provide GPON access service.

### H801GPBC Board Description

The H801GPBC is a 4-port GPON OLT interface board. It works together with the optical network unit (ONU) to provide GPON access services.

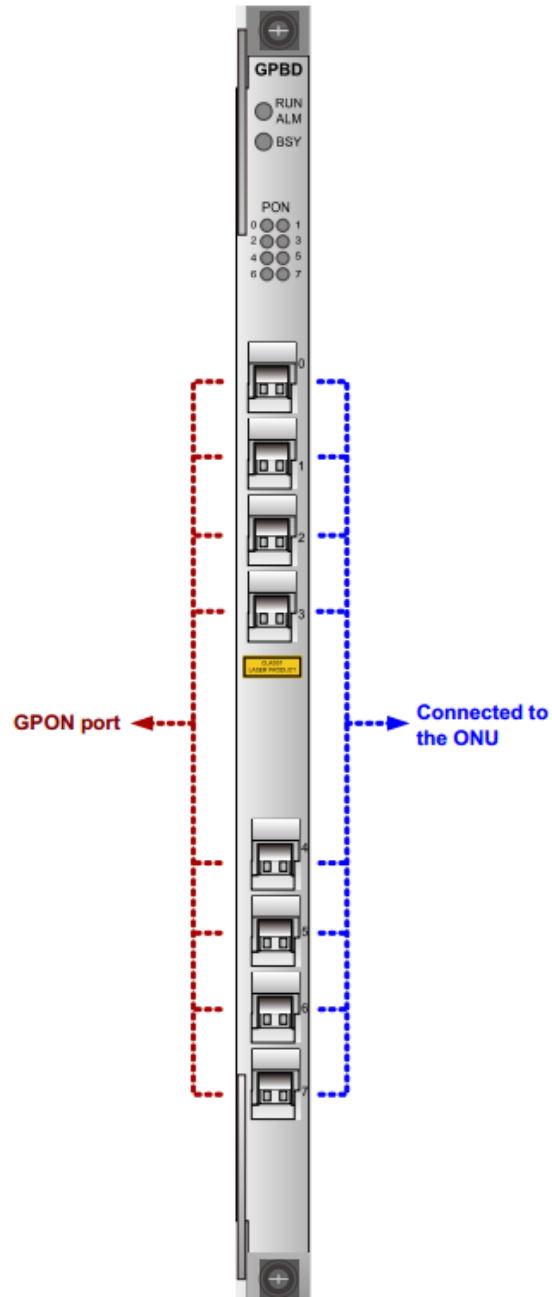
This is the front panel of the H801GPBC:



## H802GPBD Board Description

The H802GPBD is an 8-port GPON OLT interface board. It works together with the optical network unit (ONU) to provide GPON access services.

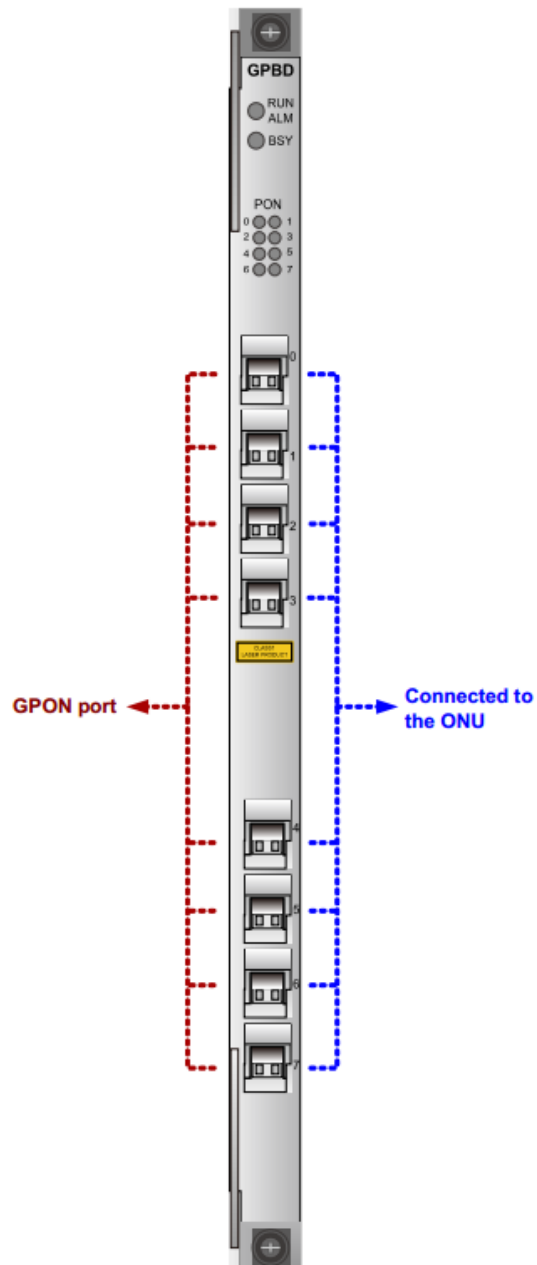
This is the front panel of the H802GPBD:



## H805GPBD Board Description

The H805GPBD is an 8-port GPON OLT interface board. It works with the optical network unit (ONU) to provide GPON access service.

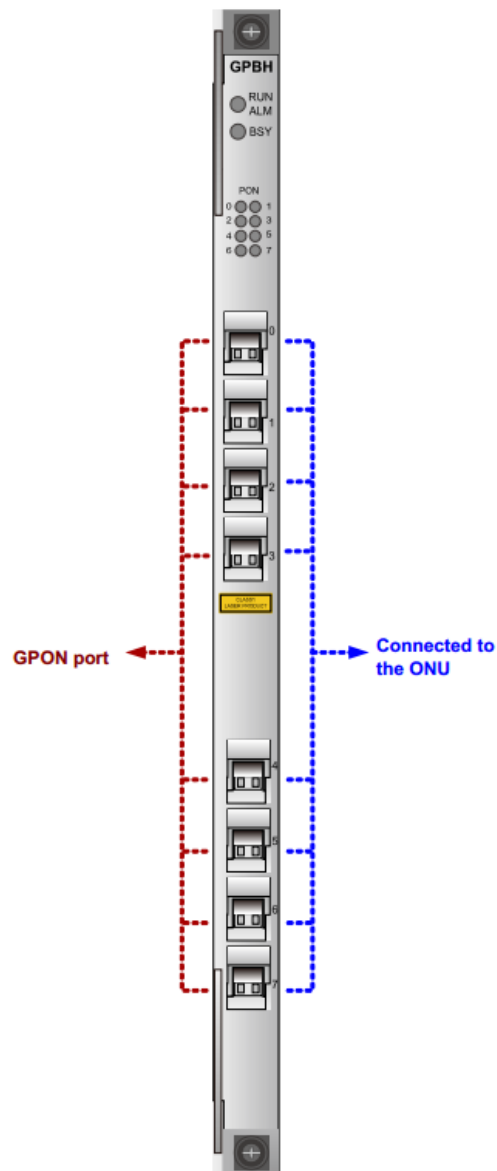
This is the front panel of the H805GPBD:



## H806GPBH Board Description

[H806GPBH](#) is an 8-port GPON OLT interface board. It works with the optical network unit (ONU) to provide GPON access service.

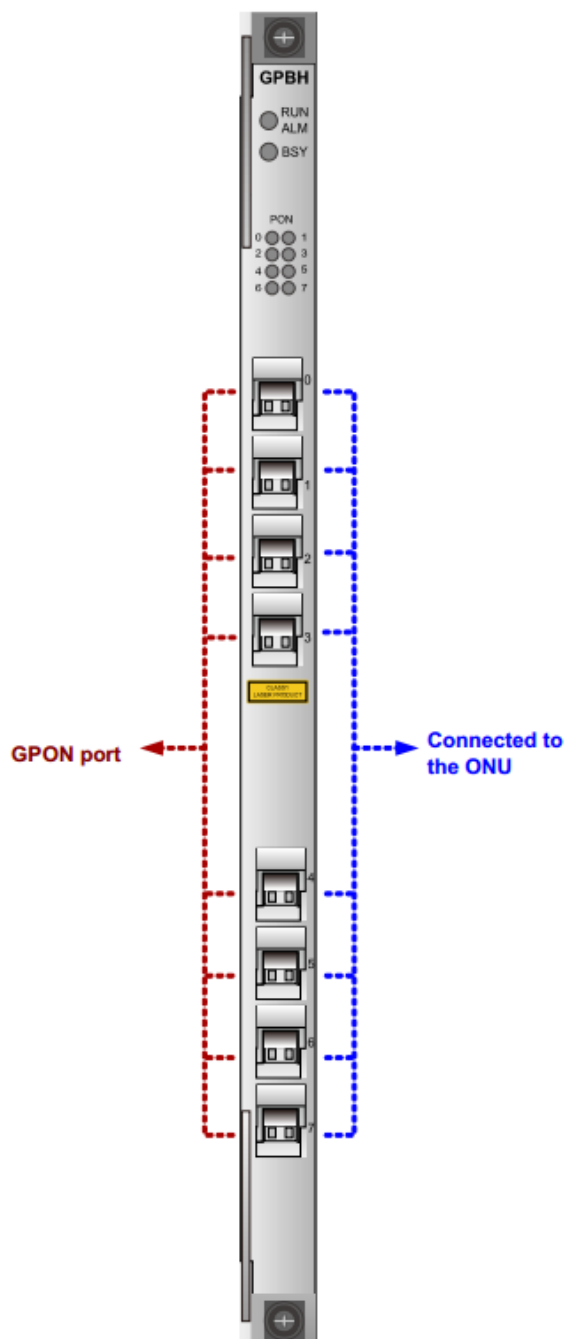
This is the front panel of the H806GPBH:



## H807GPBH Board Description

[H807GPBH](#) is an 8-port GPON OLT interface board. It works with the optical network unit (ONU) to provide GPON access service.

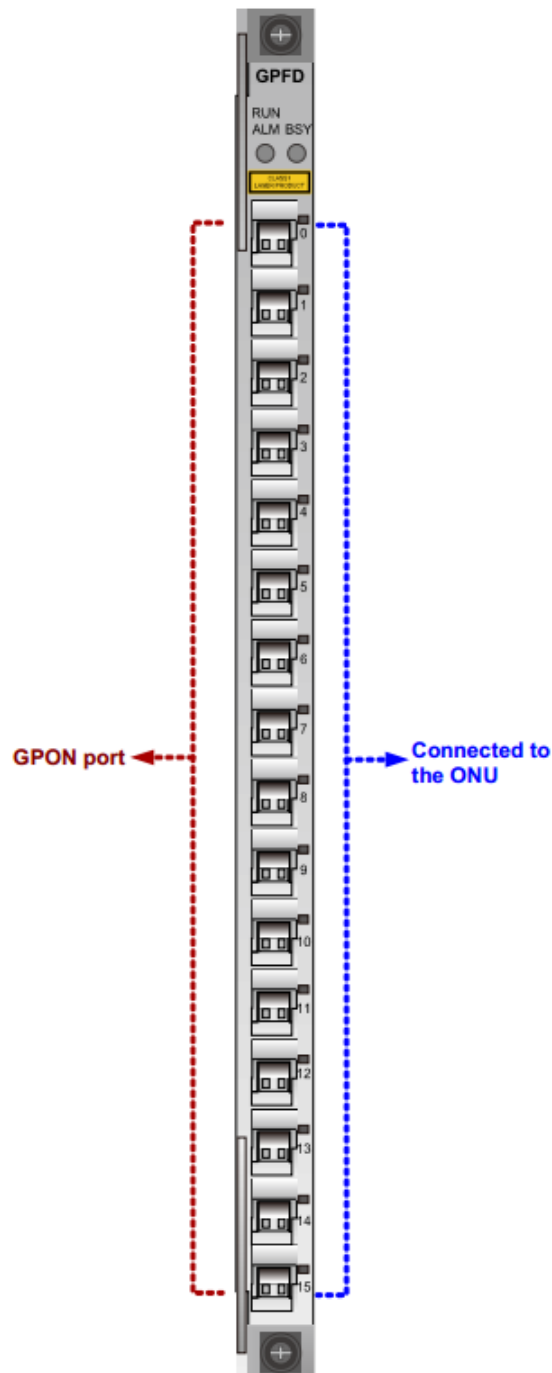
This is the front panel of the H807GPBH:



## H802GPFD Board Description

[H802GPFD](#) is a 16-port GPON OLT interface board. It works with the optical network unit (ONU) to provide GPON access service.

This is the front panel of the H802GPFD:

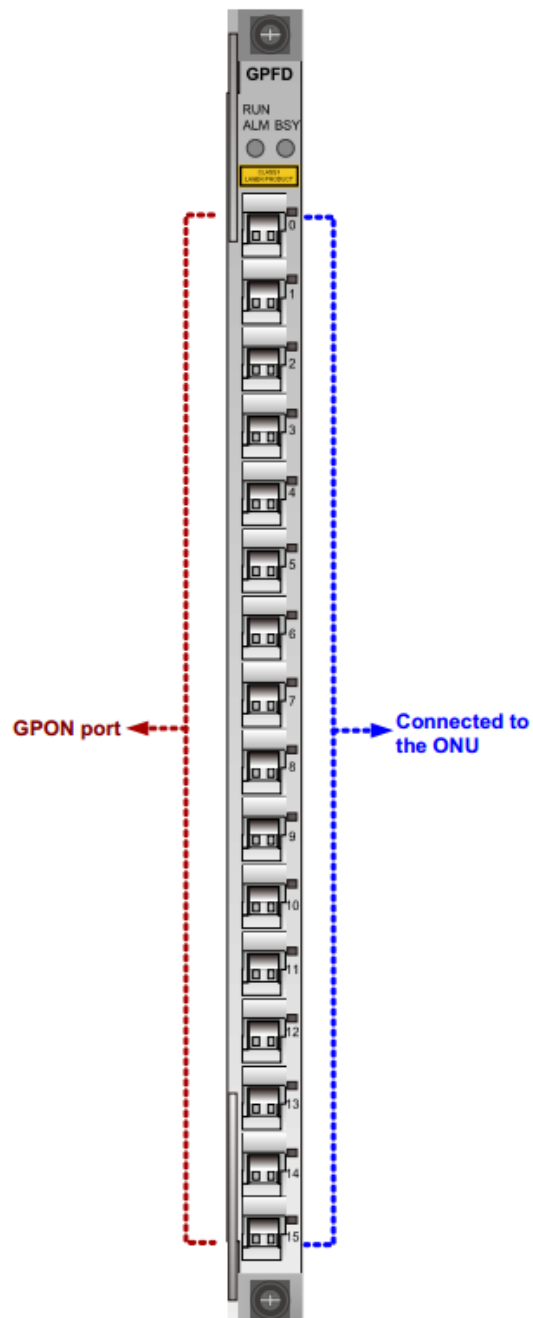




## H805GPFD Board Description

[H805GPFD](#) is a 16-port GPON OLT interface board. It works with the optical network unit (ONU) to provide GPON access service.

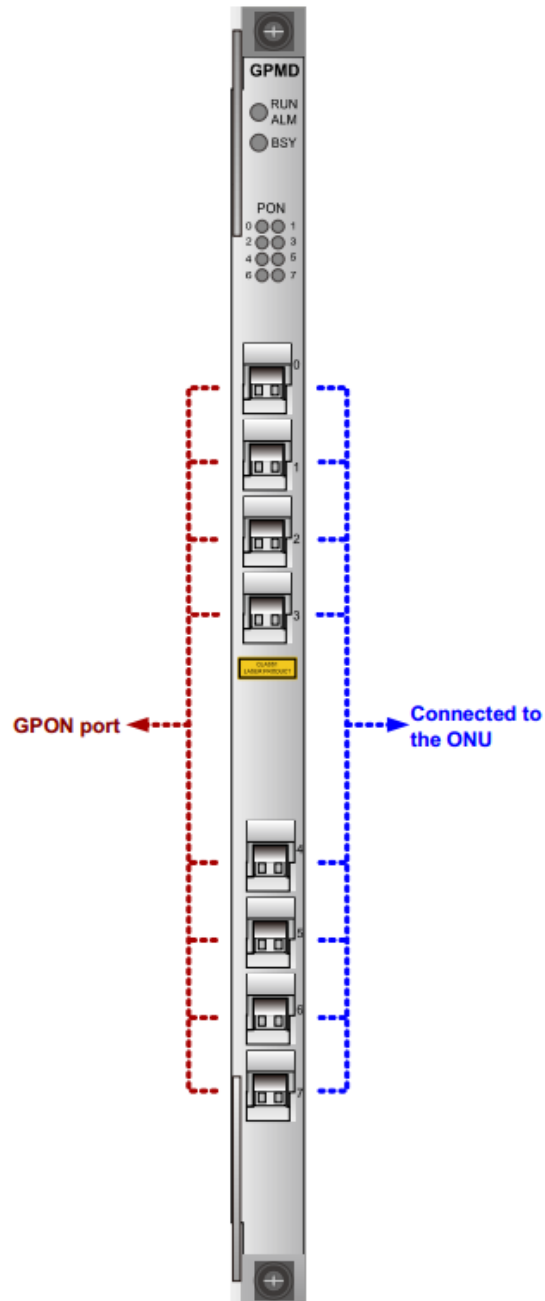
This is the front panel of the H805GPFD:



## H801GPMD Board Description

[H801GPMD](#) is an 8-port GPON OLT interface board. It works with the optical network unit (ONU) to provide GPON access service.

This is the front panel of the H801GPMD:

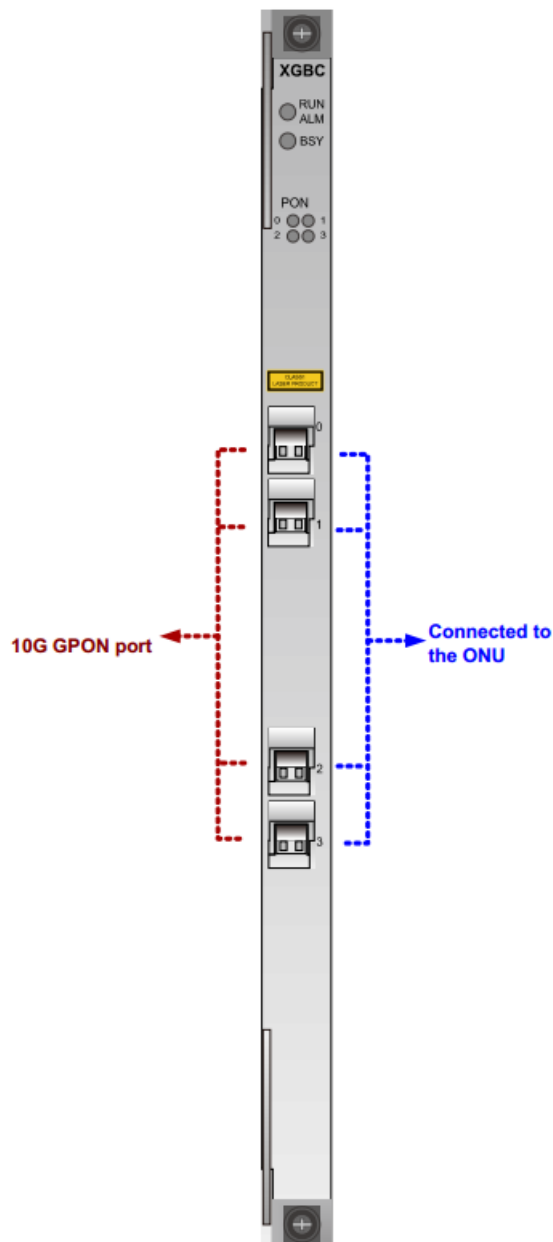


10G GPON service boards work with ONUs to provide 10G GPON access service.

### H802XGBC Board Description

[H802XGBC](#) is a 4-port 10G GPON OLT interface board. It works with the 10G GPON optical network unit (ONU) to provide 10G GPON access service.

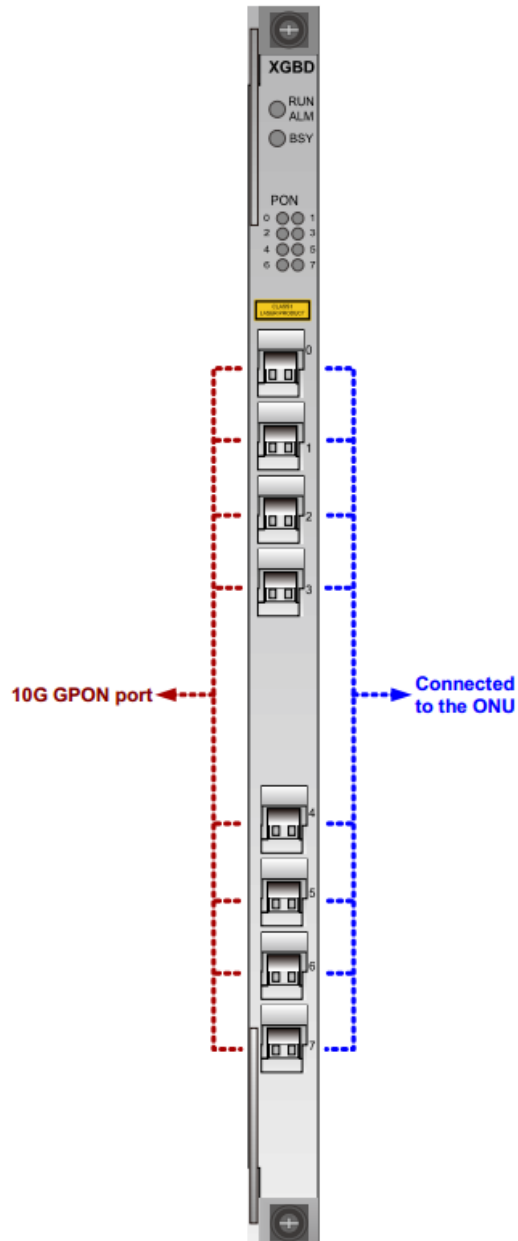
This is the front panel of the H802XGBC:



## H801XGBD Board Description

[H801XGBD](#) is an 8-port 10G GPON OLT interface board. It works with the 10G GPON optical network unit (ONU) to provide 10G GPON access service.

This is the front panel of the H801XGBD:

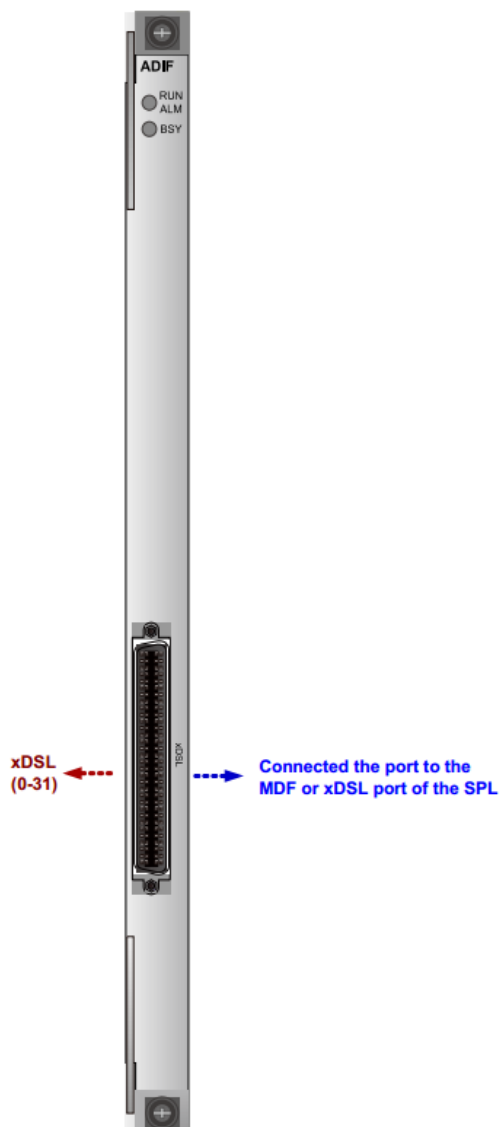


ADSL2+ service boards provide ADSL2+ access services using their broadband ports.

### H805ADIF Board Description

The [H805ADIF](#) board is a 32-port ADSL2+ over ISDN service board. It works with the ADSL terminal unit-remote end (ATU-R) through the ADSL2+ port to provide 32 channels of ADSL2+ signals

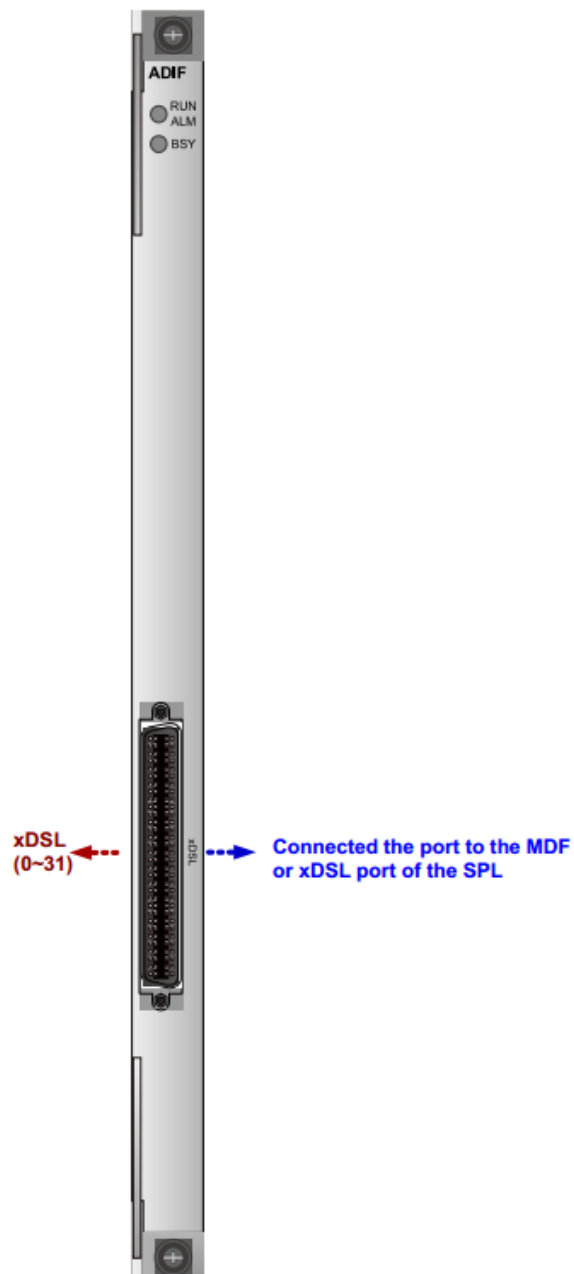
This is the front panel of the H805ADIF:



## H808ADIF Board Description

The [H808ADIF](#) board is a 32-port ADSL2+ over ISDN service board. It works with the ADSL terminal unit-remote end (ATU-R) through the ADSL2+ port to provide 32 channels of ADSL2+ signals.

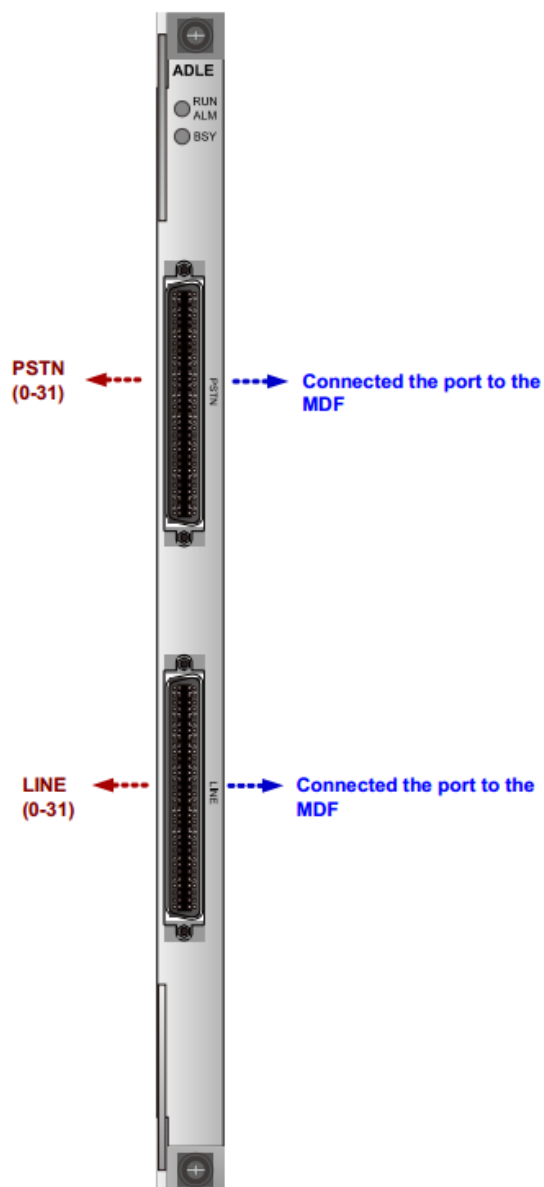
This is the front panel of the H808ADIF:



## H808ADLE Board Description

[H808ADLE](#) is a 32-port ADSL2+ over POTS service board. Using its ADSL2+ port, the H808ADLE board works with the ADSL transceiver unit, remote terminal end (ATU-R) to provide 32 channels of ADSL2+ access services.

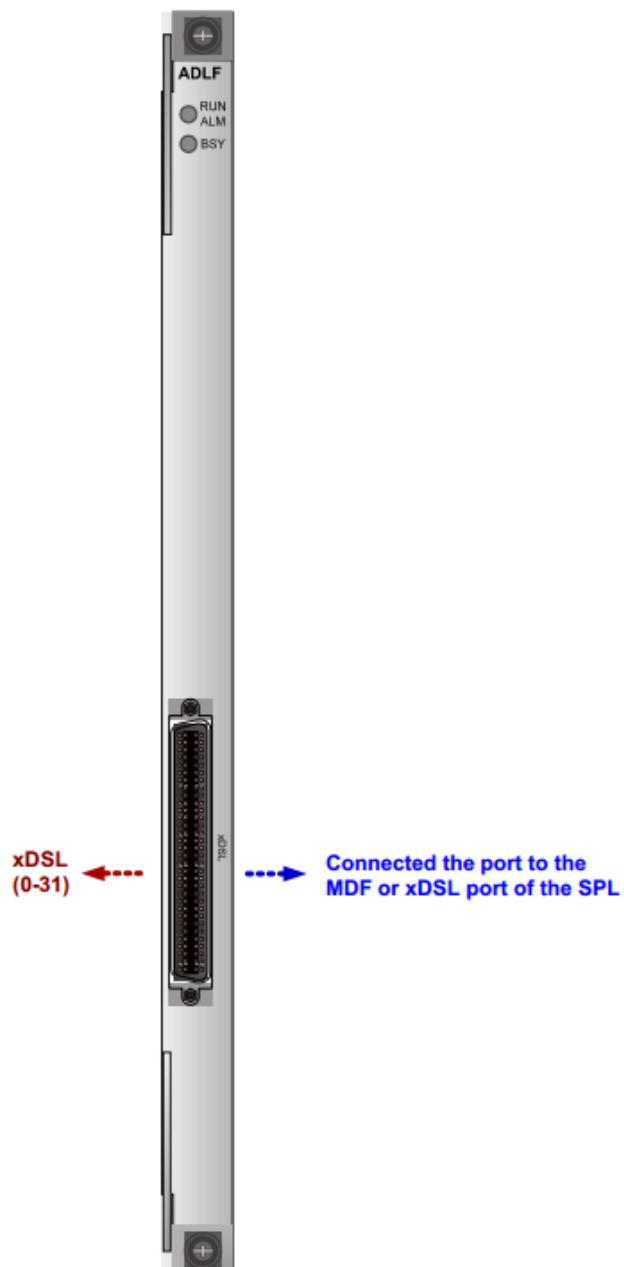
This is the front panel of the H808ADLE:



## H805ADLF Board Description

The [H805ADLF](#) board is a 32-port ADSL2+ over POTS service board. It works with the ADSL terminal unit-remote end (ATU-R) through the ADSL2+ port to provide 32 channels of ADSL2+ signals.

This is the front panel of the H805ADLF:

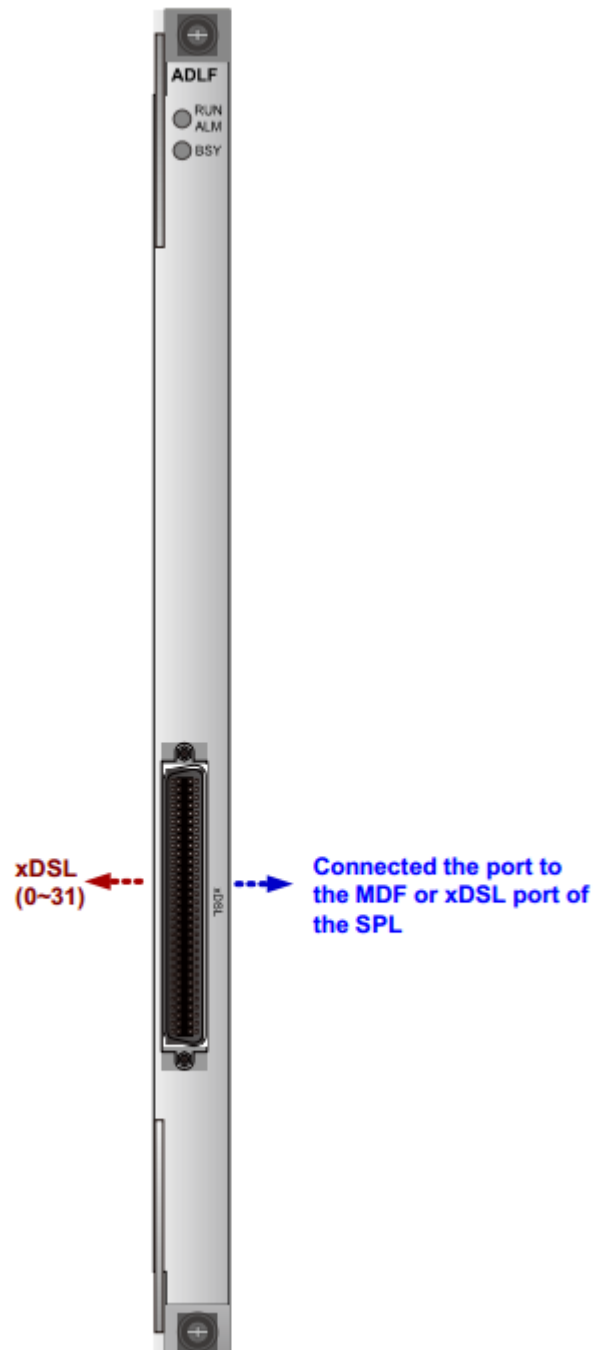




## H808ADLF Board Description

The [H808ADLF](#) board is a 32-port ADSL2+ over POTS service board. It works with the ADSL terminal unit-remote end (ATU-R) through the ADSL2+ port to provide 32 channels of ADSL2+ signals.

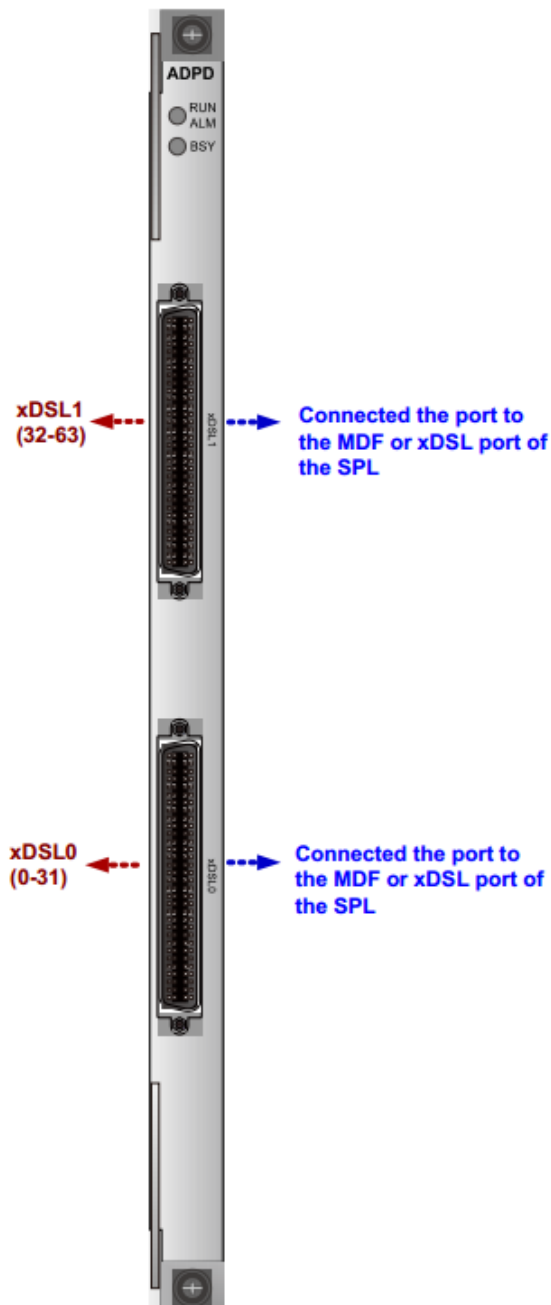
This is the front panel of the H808ADLF:



## H805ADPD Board Description

The [H805ADPD](#) board is a 64-port ADSL2+ over POTS service board. It works with the ADSL terminal unit-remote end (ATU-R) through the ADSL2+ port to access 64 channels of ADSL2+ service.

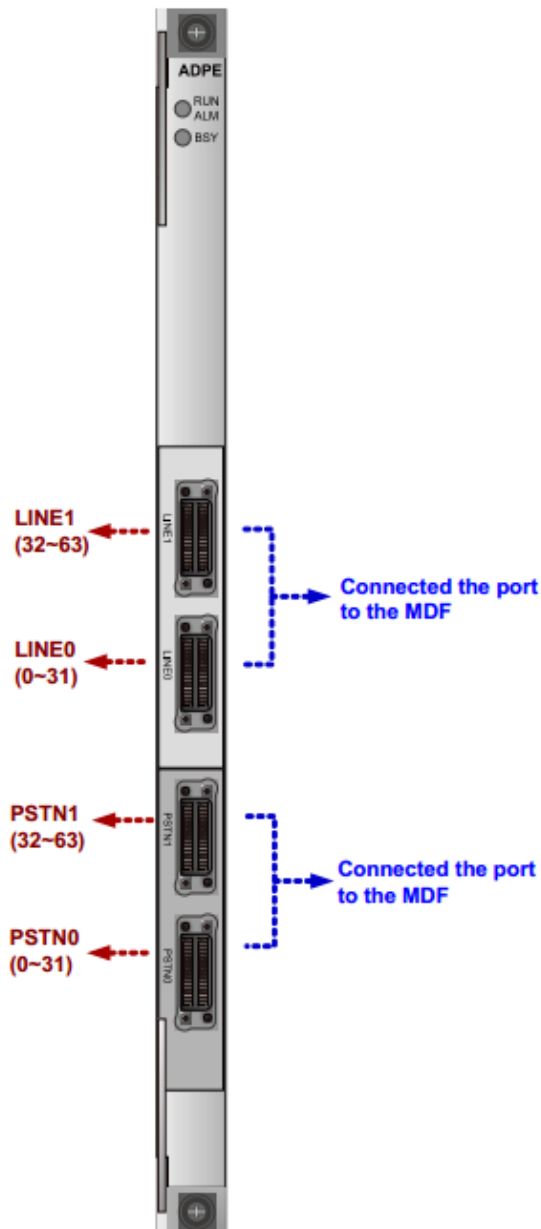
This is the front panel of the H805ADPD:



## H80BADPE Board Description

The [H80BADPE](#) board is an 64-port ADSL2+ over POTS service board. It works with the ADSL terminal unit-remote end (ATU-R) through the ADSL2+ port to access 64 channels of ADSL2+ service.

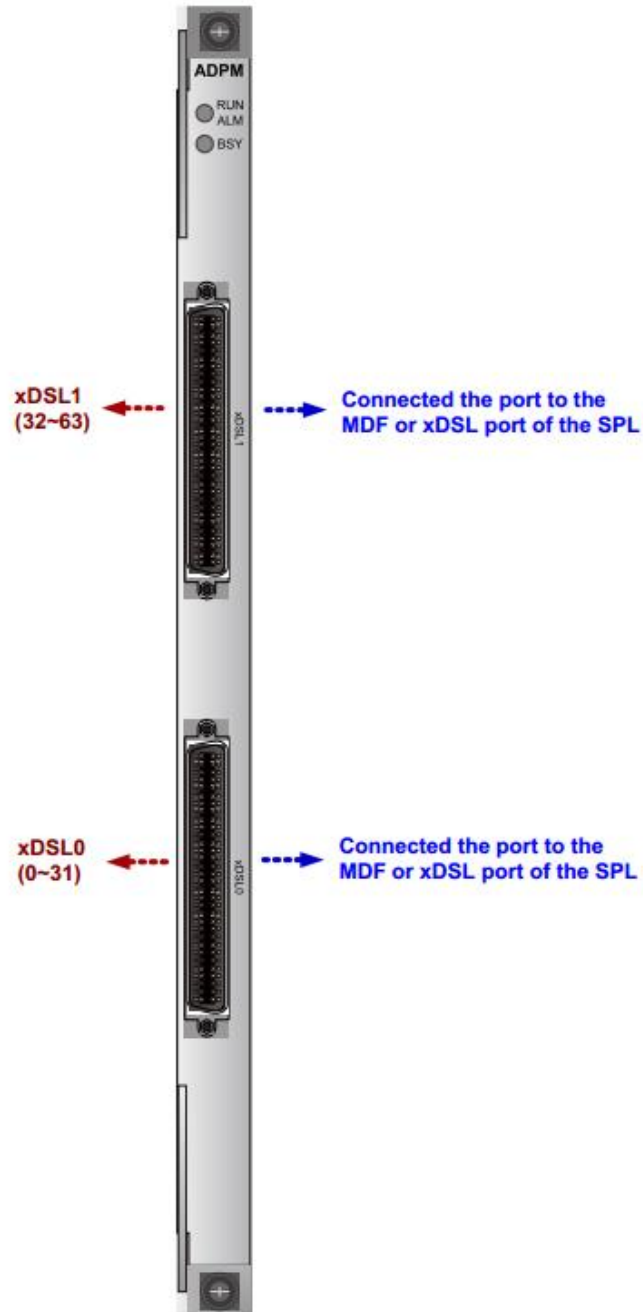
This is the front panel of the H80BADPE:



## H808ADPM Board Description

The [H808ADPM](#) board is a 64-port ADSL2+ over POTS service board. It works with the ADSL terminal unit-remote end (ATU-R) through the ADSL2+ port to access 64 channels of ADSL2+ service.

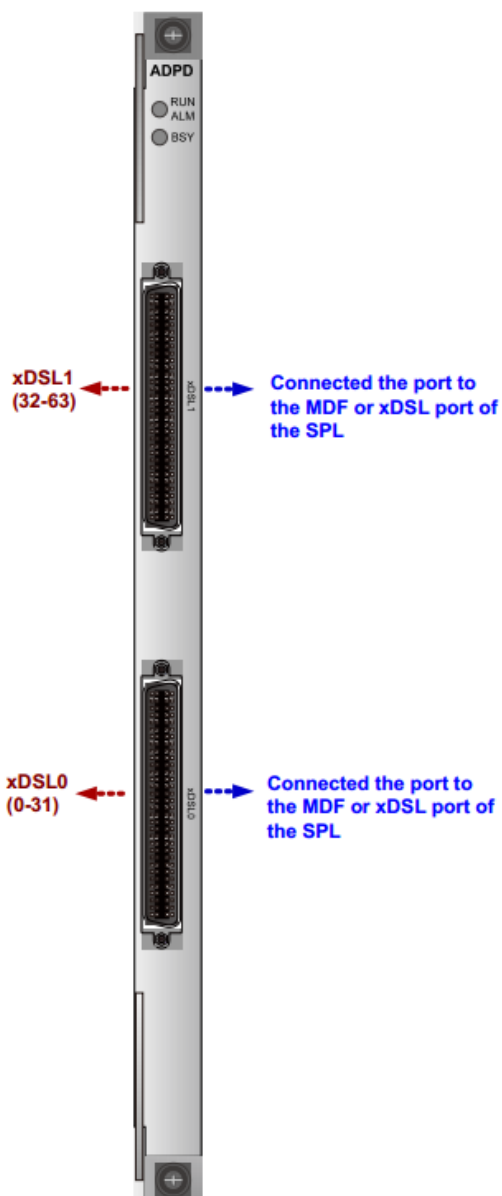
This is the front panel of the H808ADPM:



## H807ADPD Board Description

The [H807ADPD](#) board is a 64-port ADSL2+ over POTS Service Board. It works with the ADSL terminal unit-remote end (ATU-R) through the ADSL2+ port to access 64 channels of ADSL2+ service.

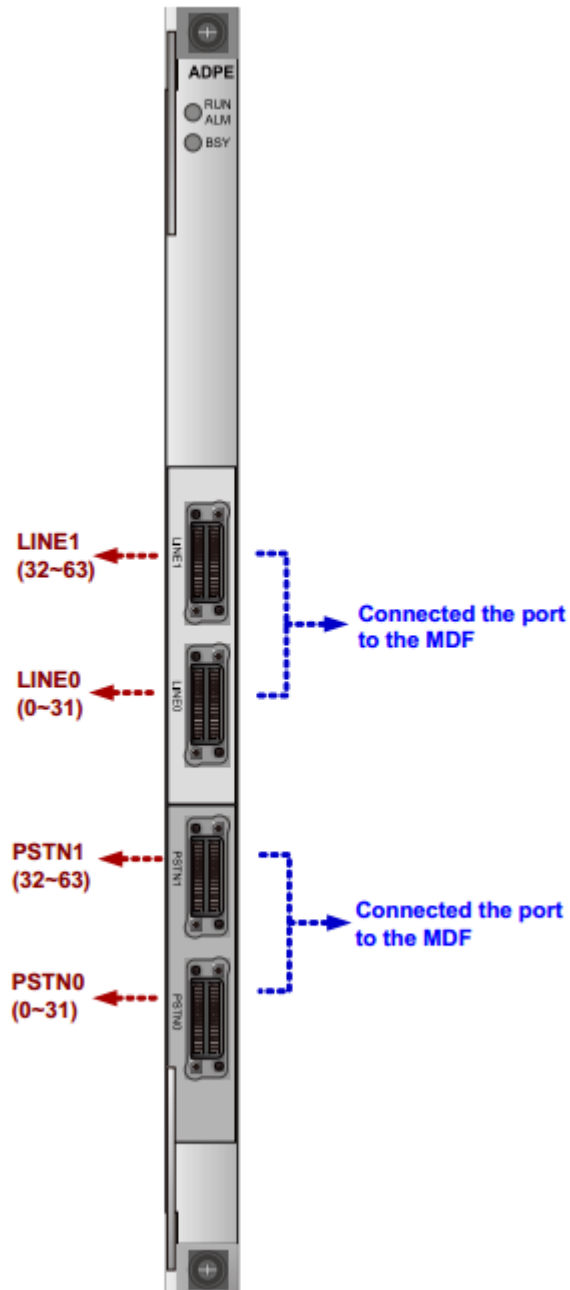
This is the front panel of the H807ADPD:



## H807ADPE Board Description

The H807ADPE board is a 64-port ADSL2+ over POTS Service Board. It works with the ADSL terminal unit-remote end (ATU-R) through the ADSL2+ port to access 64 channels of ADSL2+ service.

This is the front panel of the H807ADPE:

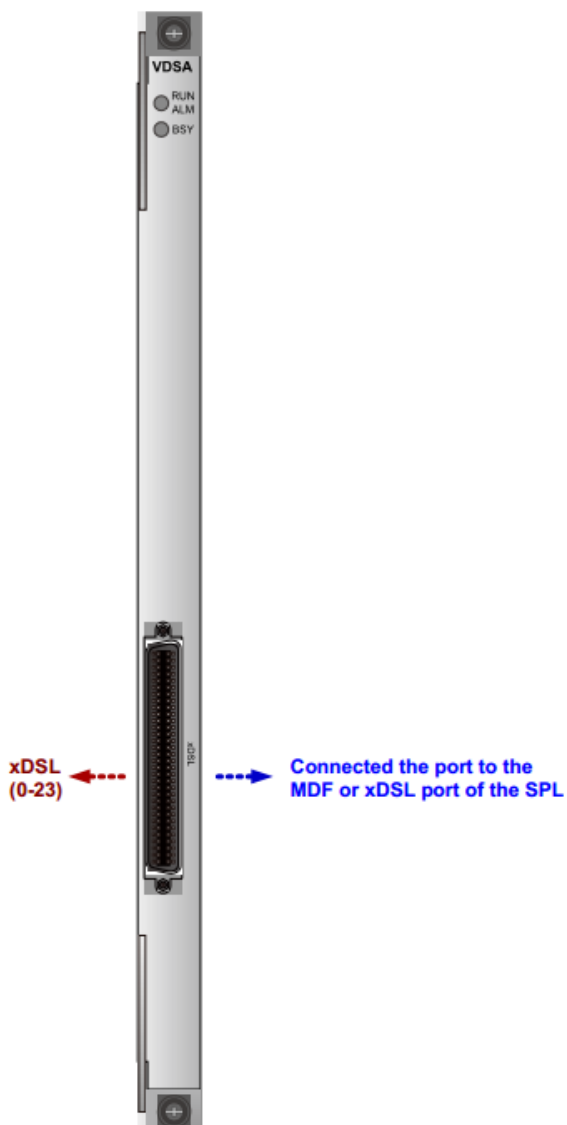


VDSL2 service boards provide VDSL2 access services using their broadband ports.

### H805VDSA Board Description

The [H805VDSA](#) is a 24-Port VDSL2 over POTS service board. It works with the VDSL transceiver unit-remote end (VTU-R) through the VDSL port to support the VDSL2 service.

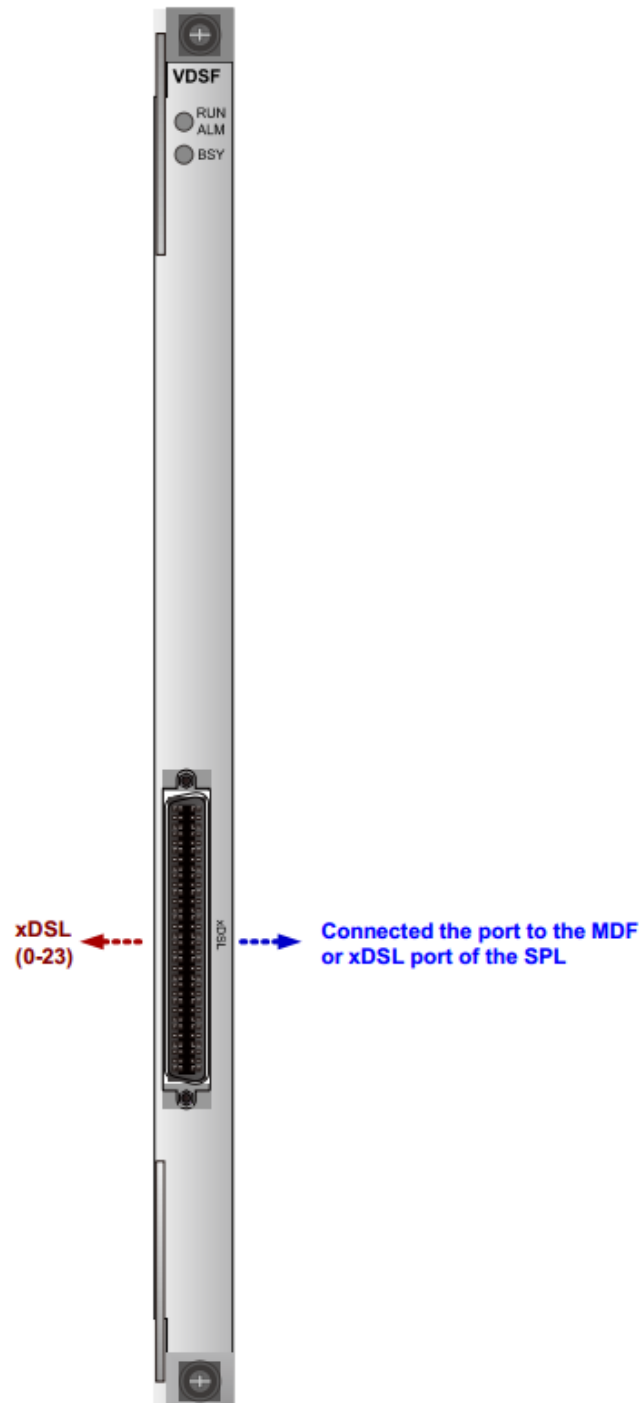
**This is the front panel of the H805VDSA:**



## H805VDSF Board Description

The [H805VDSF](#) is a 24-Port VDSL2 over POTS service board. It works with the VDSL transceiver unit-remote end (VTU-R) through the VDSL port to support the VDSL2 service.

This is the front panel of the H805VDSF:

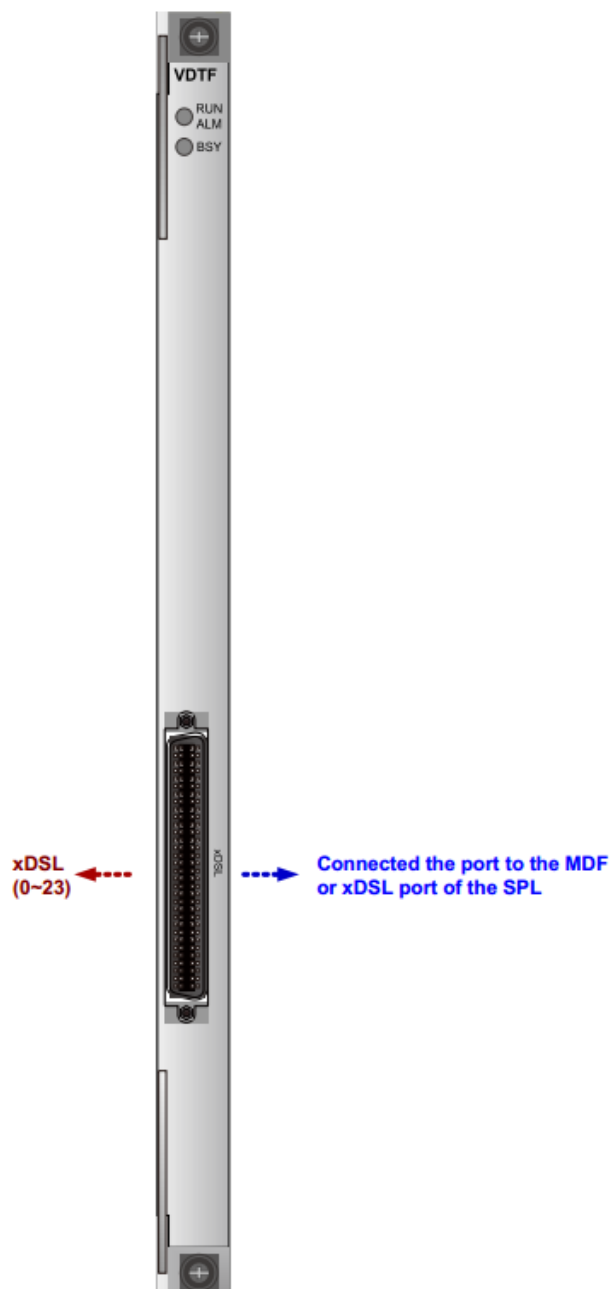




## H805VDTF Board Description

The [H805VDTF](#) is a 24-port VDSL2 over ISDN service board. It works with the VDSL transceiver unit-remote end (VTU-R) through the VDSL port to support the VDSL2 service.

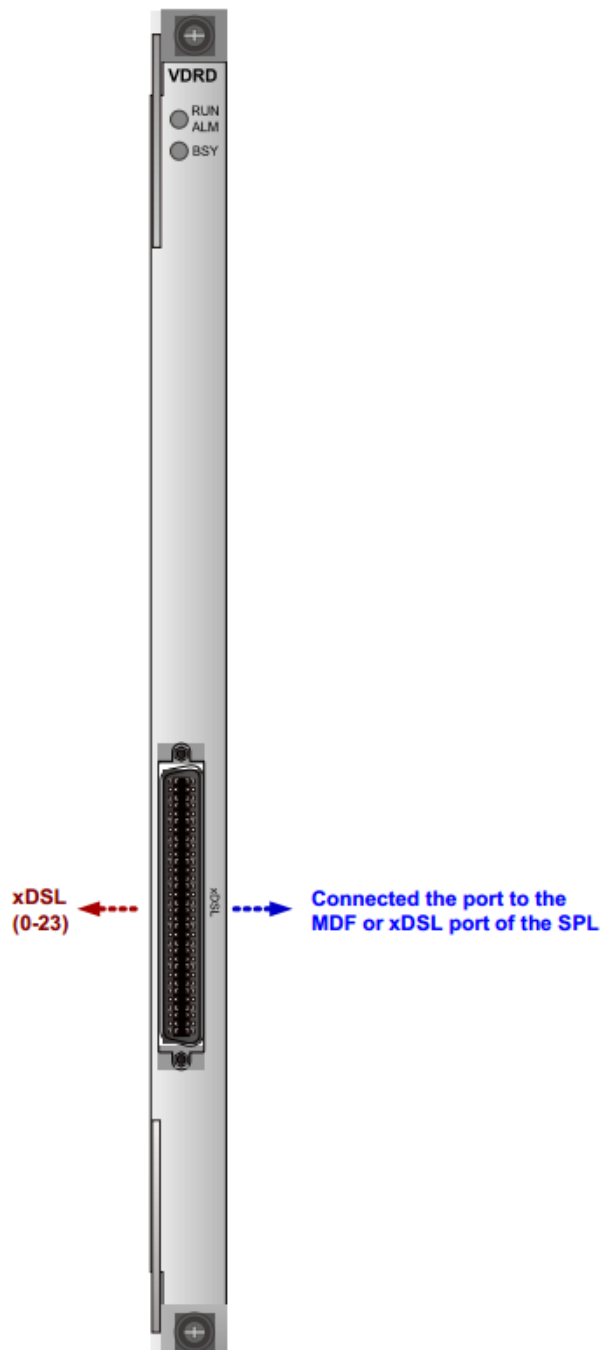
This is the front panel of the H805VDTF:



## H805VDRD Board Description

The [H805VDRD](#) board is a 24-Port VDSL2 over POTS service board. It works with the VDSL transceiver unit-remote end (VTU-R) through the VDSL port to support the VDSL2 service.

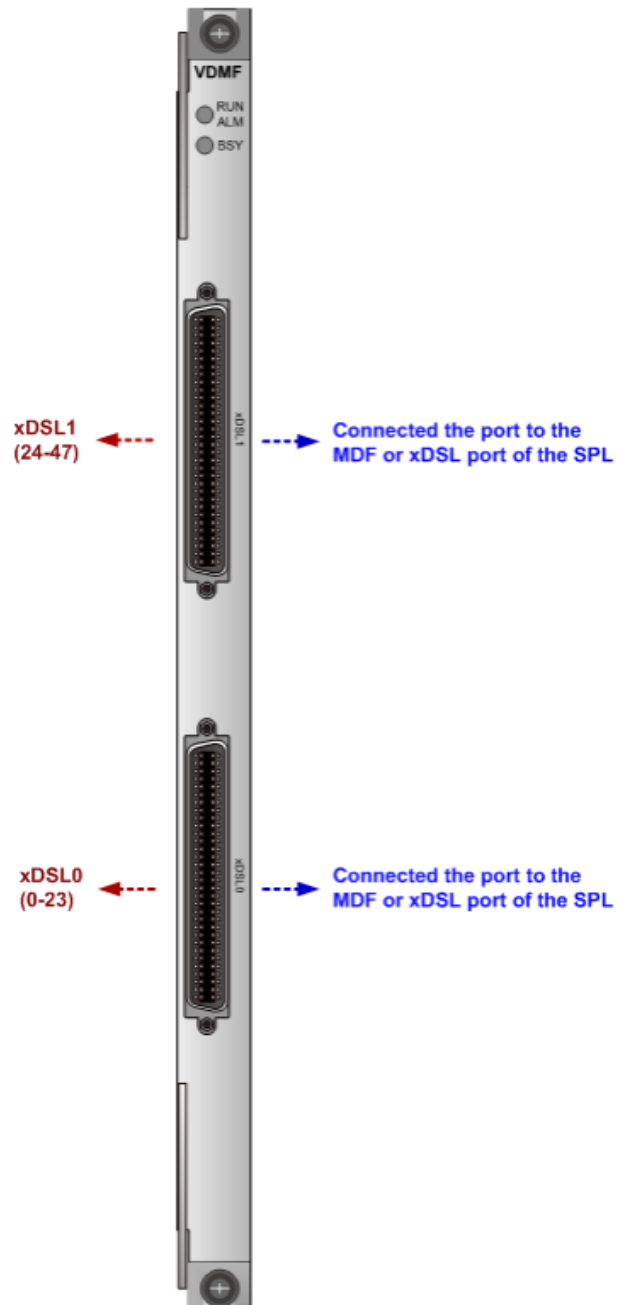
This is the front panel of the H805VDRD:



## H80BVDMF Board Description

The [H80BVDMF](#) is a 48-port VDSL2 over POTS service board. It works with the VDSL transceiver unit-remote end (VTU-R) through the VDSL port to support the VDSL2 service.

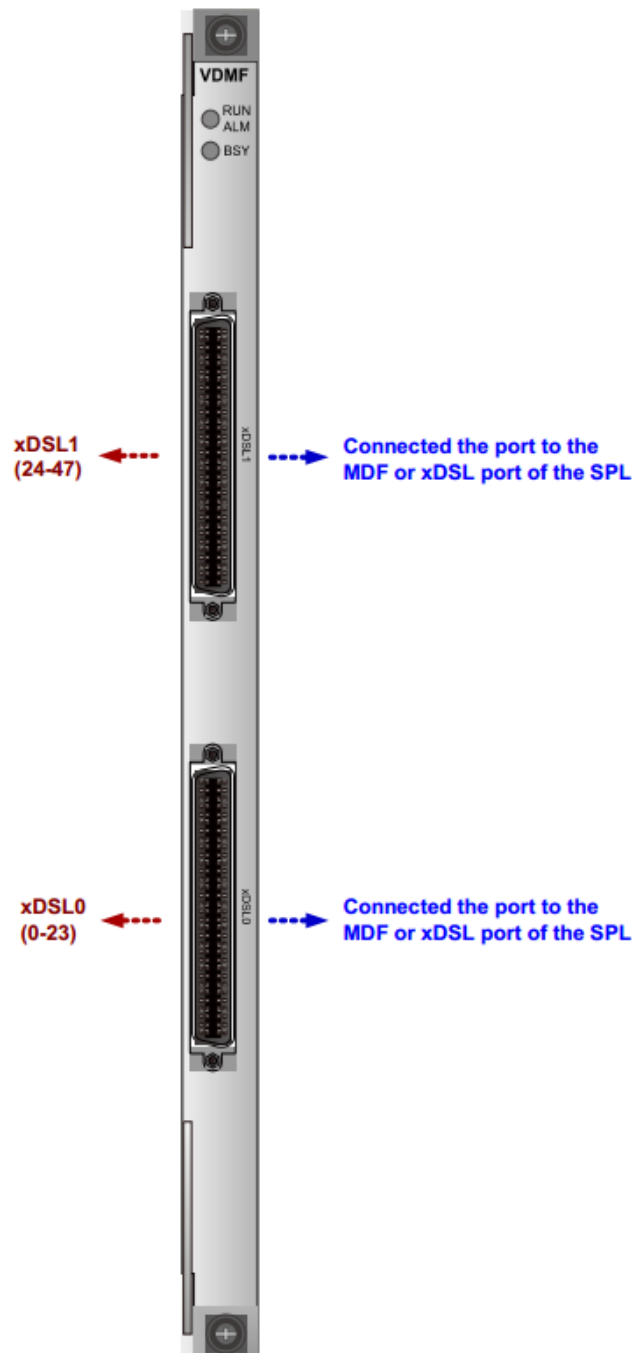
This is the front panel of the H80BVDMF:



## H805VDMF Board Description

The [H805VDMF](#) is a 48-port VDSL2 over POTS service board. It works with the VDSL transceiver unit-remote end (VTU-R) through the VDSL port to support the VDSL2 service.

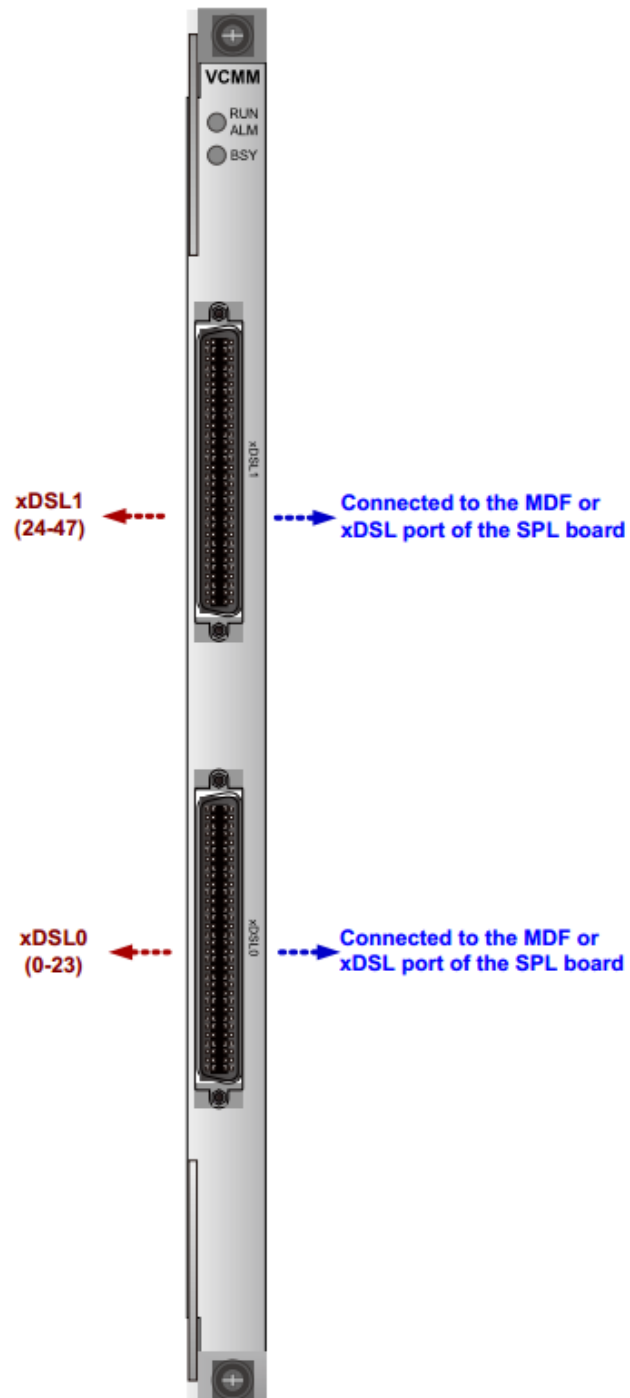
This is the front panel of the H805VDMF:



## H80BVCMM Board Description

The [H80BVCMM](#) is a 48-port VDSL2 over POTS service board. It works with the VDSL transceiver unit-remote end (VTU-R) through the VDSL port to support the VDSL2 service and supporting vectoring

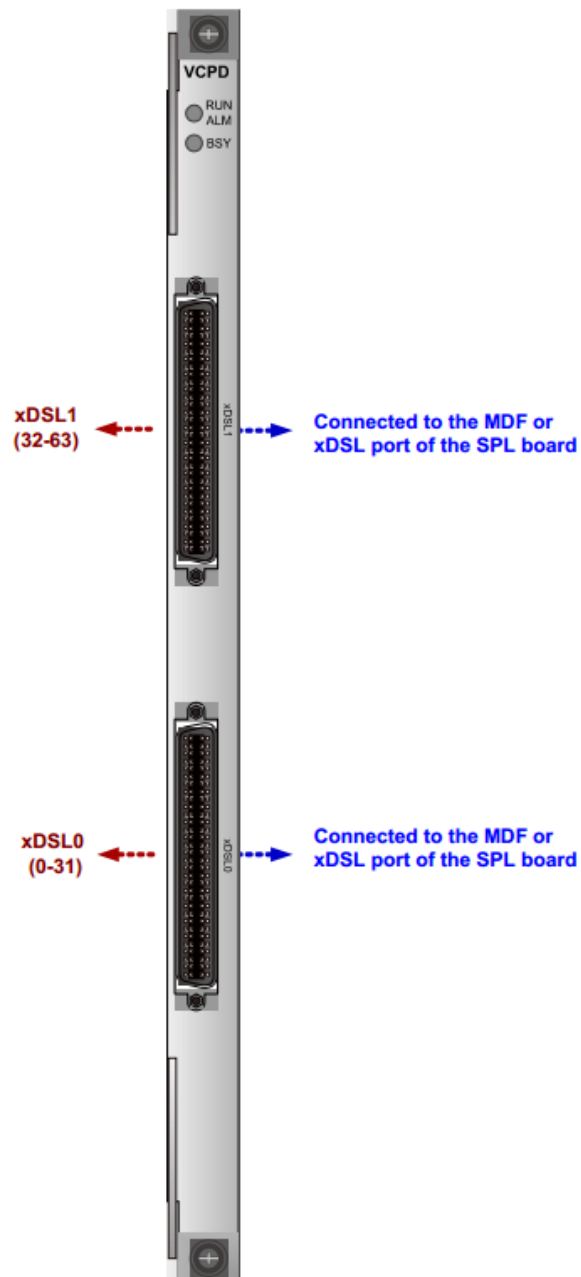
This is the front panel of the H80BVCMM:



## H80DVCPD Board Description

[H80DVCPD](#) is a 64-port VDSL2 over POTS Service Board. Using its VDSL2 port, the H80DVCPD board works with the VDSL transceiver unit, remote terminal end (VTU-R) to provide 64 channels of VDSL2 access service. In addition, it supports vectoring.

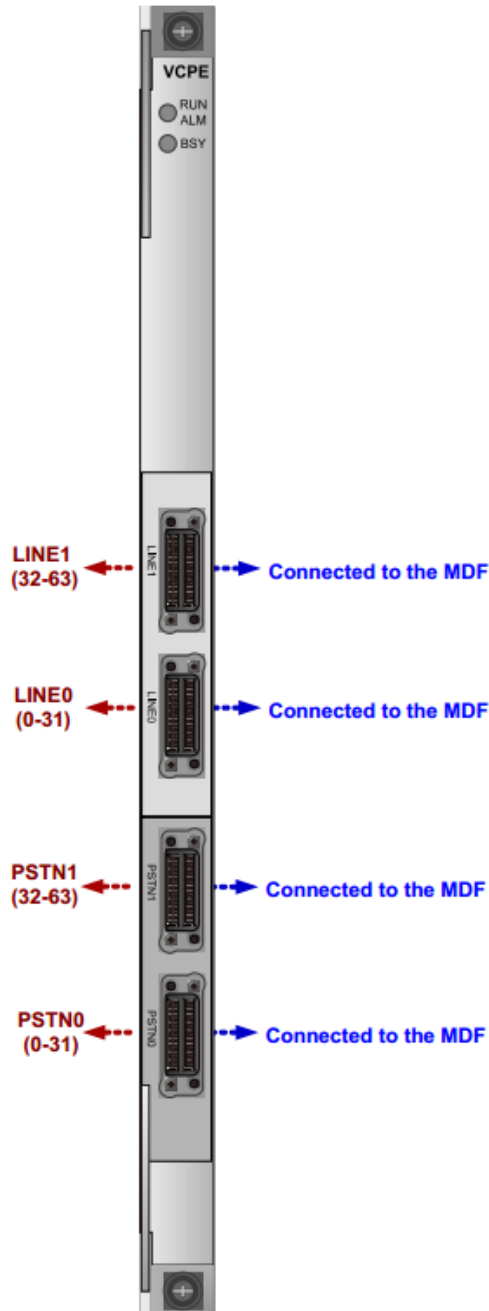
This is the front panel of the H80DVCPD:



## H80DVCPE Board Description

[H80DVCPE](#) is a 64-port VDSL2 over POTS Service Board with built-in splitter. Using its VDSL2 port, the H80DVCPE board works with the VDSL transceiver unit, remote terminal end (VTU-R) to provide 64 channels of VDSL2 access services. In addition, it supports vectoring.

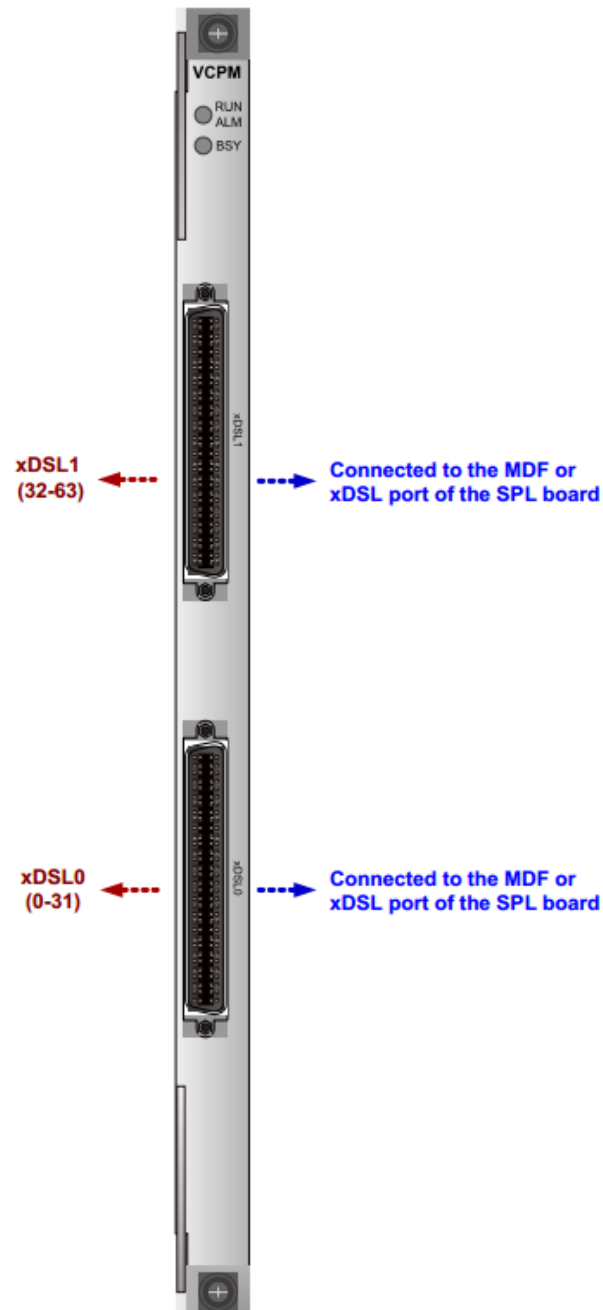
This is the front panel of the H80DVCPE:



## H80DVCPM Board Description

[H80DVCPM](#) is a 64-port VDSL2 over POTS Service Board. Using its VDSL2 port, the H80DVCPM board works with the VDSL transceiver unit, remote terminal end (VTU-R) to provide 64 channels of VDSL2 access service. In addition, it supports vectoring.

This is the front panel of the H80DVCPM:

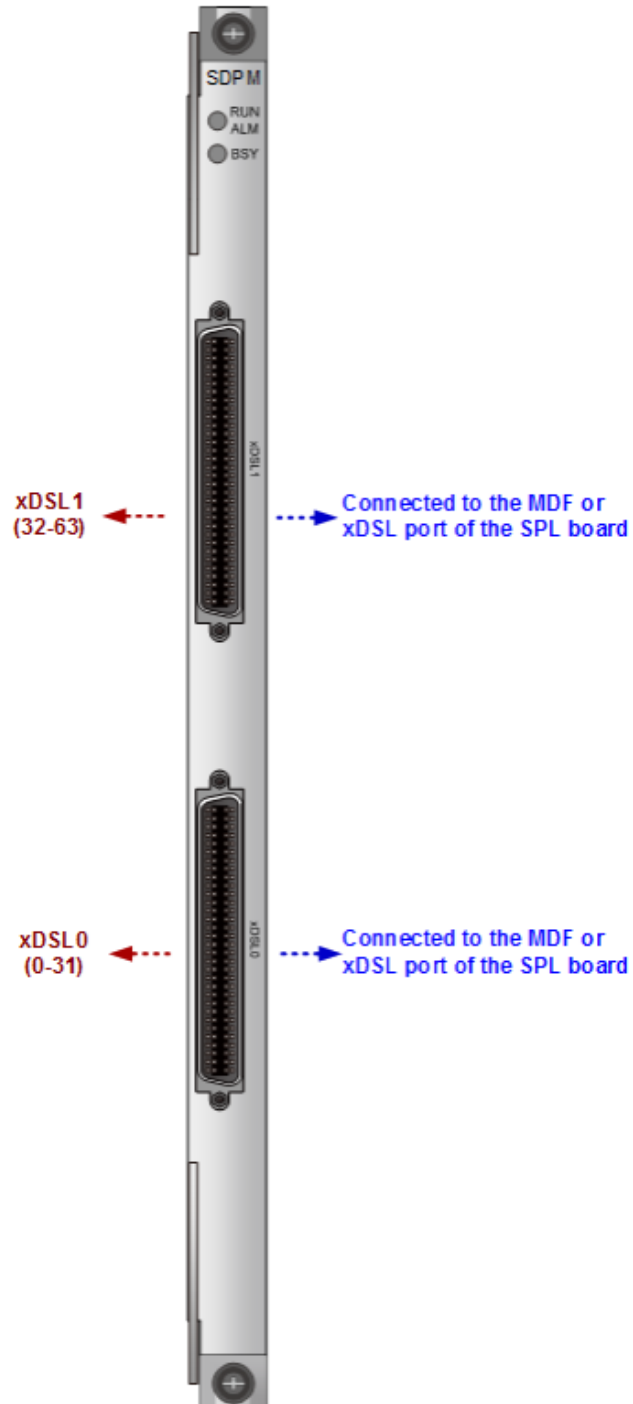




## H80DSDPM Board Description

[H80DSDPM](#) is a 64-port VDSL2 over POTS service board. Using its VDSL2 port, the H80DSDPM board works with the VDSL transceiver unit, remote terminal end (VTU-R) to provide 64 channels of VDSL2 access services. In addition, it supports SuperVector and MELT.

This is the front panel of the H80DSDPM:



## Basic Ordering Information

SKU	Description
<a href="#">H801SCUH</a>	Huawei SmartAX MA5600T Super Control Unit Board
<a href="#">H801SCUV</a>	Huawei SmartAX MA5600T Super Control Unit Board
<a href="#">H801SCUN</a>	Huawei SmartAX MA5600T Super Control Unit Board
<a href="#">H801MCUD</a>	Huawei SmartAX MA5600T Control Unit Board (GE Uplink)
<a href="#">H801MCUD1</a>	Huawei SmartAX MA5600T Control Unit Board (GE/10GE Uplink)
<a href="#">H801SCUK</a>	Huawei SmartAX MA5600T Super Control Unit Board
<a href="#">H806GPBH</a>	Huawei SmartAX MA5600T 8-port Advanced GPON OLT Interface Board
<a href="#">H807GPBH</a>	Huawei SmartAX MA5600T 8-port Advanced GPON OLT Interface Board
<a href="#">H801GPMD</a>	Huawei SmartAX MA5600T 8-port Advanced GPON OLT Interface Board
<a href="#">H805GPFD</a>	Huawei SmartAX MA5600T 16-port GPON OLT Interface board
<a href="#">H801XGBD</a>	Huawei SmartAX MA5600T 8-port XG-PON OLT Interface board
<a href="#">H802XGBC</a>	Huawei SmartAX MA5600T 4-port XG-PON OLT Interface Board
<a href="#">H801SPUF</a>	Huawei SmartAX MA5600T Multifunctional Service Process Board
<a href="#">H801ETHB</a>	Huawei SmartAX MA5600T Ethernet Service Access Board
<a href="#">H802OPGE</a>	Huawei SmartAX MA5600T 48-port GE/FE Optical Interface Board-Support 1588v2/SyncE-Used for Ethernet Aggregation, P2P Enterprise Access and Mobile Backhual
<a href="#">H801PRTA</a>	Huawei SmartAX MA5600T Power Transfer Board
<a href="#">H801PRTE</a>	Huawei SmartAX MA5600T Power Transfer Board
<a href="#">H801PRTG</a>	Huawei SmartAX MA5600T Power Transfer Board

<a href="#"><u>H801MPWC</u></a>	Huawei SmartAX MA5600T Double DC power Board
<a href="#"><u>H801MPWD</u></a>	Huawei SmartAX MA5600T AC Power Board, Power Backup
<a href="#"><u>H801MPWE</u></a>	Huawei SmartAX MA5600T Single DC power Board
<a href="#"><u>H801TOPA</u></a>	Huawei SmartAX MA5600T TDM Traffic Over PSN Board
<a href="#"><u>H801TOPB</u></a>	Huawei SmartAX MA5600T TDM Traffic Over PSN Board
<a href="#"><u>H801CITD</u></a>	Huawei SmartAX MA5600T Combo Interface Transfer Board
<a href="#"><u>H801FCBB</u></a>	Huawei SmartAX MA5600T ETSI fan tray(FCBB)-MA5600T
<a href="#"><u>H801FCBI</u></a>	Huawei SmartAX MA5600T ETSI fan tray(FCBI)-MA5600T
<a href="#"><u>H801FCBH</u></a>	Huawei SmartAX MA5600T IEC fan tray(FCBH)-MA5600T
<a href="#"><u>H801FCBI</u></a>	Huawei SmartAX MA5600T MA5603T fan tray(FCBI)
<a href="#"><u>H831FCBB0</u></a>	Huawei SmartAX MA5600T MA5608T fan tray
<a href="#"><u>H805VDSA</u></a>	Huawei SmartAX MA5600T 24-port VDSL2 over POTS Service Board
<a href="#"><u>H805VDSF</u></a>	Huawei SmartAX MA5600T 24-port VDSL2 over POTS Service Board
<a href="#"><u>H805ADIF</u></a>	Huawei SmartAX MA5600T 32-port ADSL2+ over ISDN Service Board
<a href="#"><u>H808ADIF</u></a>	Huawei SmartAX MA5600T 32-port ADSL2+ over ISDN Service Board
<a href="#"><u>H808ADLE</u></a>	Huawei SmartAX MA5600T 32-port ADSL2+ over POTS Service Board,with 600 ohm Real Impedance Splitter
<a href="#"><u>H805ADLF</u></a>	Huawei SmartAX MA5600T 32-port ADSL2+ Service Board
<a href="#"><u>H808ADLF</u></a>	Huawei SmartAX MA5600T 32-port ADSL2+ over POTS Service Board
<a href="#"><u>H805VDTF</u></a>	Huawei SmartAX MA5600T 24-port VDSL2 over ISDN Service Board

<a href="#"><u>H805VDRD</u></a>	Huawei SmartAX MA5600T 24-port VDSL2 over POTS Service Board
<a href="#"><u>H805VDMF</u></a>	Huawei SmartAX MA5600T 48-port VDSL2 over POTS Service Board
<a href="#"><u>H808VDMF</u></a>	Huawei SmartAX MA5600T 48-port VDSL2 over POTS Service Board
<a href="#"><u>H805ADPD</u></a>	Huawei SmartAX MA5600T 64-port ADSL2+ over POTS Service Board
<a href="#"><u>H807ADPD</u></a>	Huawei SmartAX MA5600T 64-port ADSL2+ over POTS Service Board
<a href="#"><u>H80BADPE</u></a>	Huawei SmartAX MA5600T 64-port ADSL Service Board
<a href="#"><u>H807ADPE</u></a>	Huawei SmartAX MA5600T 64-port ADSL Service Board
<a href="#"><u>H808ADPM</u></a>	Huawei SmartAX MA5600T 64-port ADSL Service Board
<a href="#"><u>H807ADPM</u></a>	Huawei SmartAX MA5600T 64-port ADSL Service Board
<a href="#"><u>H808VDPE</u></a>	Huawei SmartAX MA5600T 64-port VDSL2 Service Board,with 600 ohm Real Impedance Splitter
<a href="#"><u>H808VDPM</u></a>	Huawei SmartAX MA5600T 64-port VDSL2 over POTS Service Board
<a href="#"><u>H801SCUB</u></a>	Huawei SmartAX MA5600T Super Control Unit Board
<a href="#"><u>H802SCUB</u></a>	Huawei SmartAX MA5600T Super Control Unit Board
<a href="#"><u>H802SHGM</u></a>	Huawei SmartAX MA5600T 32-port SHDSL.bis Service Board
<a href="#"><u>H80BCVME</u></a>	Huawei SmartAX MA5600T 48-port VDSL2&POTS Combo Board
<a href="#"><u>H80BCAME</u></a>	Huawei SmartAX MA5600T 48-port ADSL&POTS Combo Board
<a href="#"><u>H806CAME</u></a>	Huawei SmartAX MA5600T 48-port ADSL&POTS Combo Board
<a href="#"><u>H806CCPE</u></a>	Huawei SmartAX MA5600T 64-port VDSL2&POTS Combo Board
<a href="#"><u>H80DCCPE</u></a>	Huawei SmartAX MA5600T 64-port VDSL2&POTS Combo Board
<a href="#"><u>H80DCSPE</u></a>	Huawei SmartAX MA5600T 64-port SuperVector&POTS COMBO Board

<a href="#"><u>H802GPFD</u></a>	Huawei SmartAX MA5600T 16-port GPON OLT Interface board
<a href="#"><u>H801SPUC</u></a>	Huawei SmartAX MA5600T Uplink Board-Support HQoS Function-Used for Open Access or Wholesale to Multi-RSPs
<a href="#"><u>H806VPEA</u></a>	Huawei SmartAX MA5600T 384 Channels(64*6) Vector Centralized Processing Board
<a href="#"><u>H806VPEF</u></a>	Huawei SmartAX MA5600T SuperVector Centralized Processing Board
<a href="#"><u>H806VPGA</u></a>	Huawei SmartAX MA5600T 384 Channels(64*6) Vector Centralized Processing Board
<a href="#"><u>H80AVDPD</u></a>	Huawei SmartAX MA5600T 64-port VDSL2 over POTS Service Board
<a href="#"><u>H80BVCMM</u></a>	Huawei SmartAX MA5600T 48-port VDSL2 Over POTS Subscriber Board, with Melt, with Vector
<a href="#"><u>H80BVDQM</u></a>	Huawei SmartAX MA5600T 64-port VDSL2 over ISDN Service Board
<a href="#"><u>H80AVCPD</u></a>	Huawei SmartAX MA5600T 64-port VDSL2 Over POTS Subscriber Board
<a href="#"><u>H80DVCPD</u></a>	Huawei SmartAX MA5600T 64-port VDSL2 Over POTS Subscriber Board, with Vectoring
<a href="#"><u>H80AVCPM</u></a>	Huawei SmartAX MA5600T 64-port VDSL2 Over POTS Subscriber Board, with Melt
<a href="#"><u>H80DVCPM</u></a>	Huawei SmartAX MA5600T 64-port VDSL2 Over POTS Subscriber Board, with Melt, with Vectoring
<a href="#"><u>H806VCPE</u></a>	Huawei SmartAX MA5600T 64-port VDSL2 Service Board,with 600 ohm Real Impedance Splitter
<a href="#"><u>H80DVCPPE</u></a>	Huawei SmartAX MA5600T 64-port VDSL2 Over POTS Subscriber Board, with 600 ohm Real Impedance Splitter, with Vectoring
<a href="#"><u>H80DSDMM</u></a>	Huawei SmartAX MA5600T 48-port VDSL2 Over POTS Subscriber Board, with Melt, with Vectoring
<a href="#"><u>H80DSDMM1</u></a>	Huawei SmartAX MA5600T 48-port VDSL2 Over POTS Subscriber Board, with Melt, with Vectoring
<a href="#"><u>H80DSDPM</u></a>	Huawei SmartAX MA5600T 64-port VDSL2 Over POTS Subscriber Board, with Melt, with SuperVector
<a href="#"><u>H80AATRB</u></a>	Huawei SmartAX MA5600T 32-channel foreign exchange office (FXO) service board, providing direct access services

<a href="#"><u>H80BASP</u></a>	Huawei SmartAX MA5600T 64-port VoIP subscriber board, providing 64 channels of VoIP POTS access services
<a href="#"><u>H80CASP</u></a>	Huawei SmartAX MA5600T 64-port VoIP subscriber board, providing 64 channels of VoIP POTS access services.
<a href="#"><u>H802DSRD</u></a>	Huawei SmartAX MA5600T 32-port ISDN digital subscriber board, providing 32 channels of ISDN access services
<a href="#"><u>H802EDTB</u></a>	Huawei SmartAX MA5600T 16-channel TDM SHDSL access services and 16-channel E1 and V.35 access services
<a href="#"><u>H808ASP</u></a>	Huawei SmartAX MA5600T 64-port VoIP subscriber board, providing 64 channels of VoIP POTS access services
<a href="#"><u>H809ASP</u></a>	Huawei SmartAX MA5600T 64-port VoIP subscriber board, providing 64 channels of VoIP POTS access services

### Want to buy this series of products? please contact:

- Tel: +1-626-239-8066 (USA)/ +852-3050-1066 / +852-3174-6166
- Fax: +852-3050-1066 (Hong Kong)
- Email: [sales@router-switch.com](mailto:sales@router-switch.com) (Sales Inquiries)

Or visit: [Huawei SmartAX MA5600T Series OLT Boards](#)

### About us

Router-switch.com, founded in 2002, is one of the biggest Global Network Hardware Supplier. We are a leading provider of network products with 14,500+ customers in over 200 countries. We provide original new and used network equipments (Cisco, Huawei, HPE, Dell, Juniper, EMC, etc.), including Routers, Switches, Servers, Storage, Telepresence and Videoconferencing, IP Phones, Firewalls, Wireless APs & Controllers, EHWIC/HWIC/VWIC Cards, SFPs, Memory & Flash, Hard Disk, Cables, and all kinds of network solutions related products.

<https://support.huawei.com/enterprise/en/access-network/smartax-ma5600t-pid-18133>