

Parabolic antenna JRC-38DD Duplex Precision

Dual-polarized parabolic antenna **JRC-38DD Duplex Precision** is designed for directional links with **full-duplex mode** or MIMO mode at the frequency band 5 GHz with high isolation level. Ready for very long distances. **Its design with deep dish increases isolation among antennas on a mast increases front to back ratio.**

Electrical parameters:

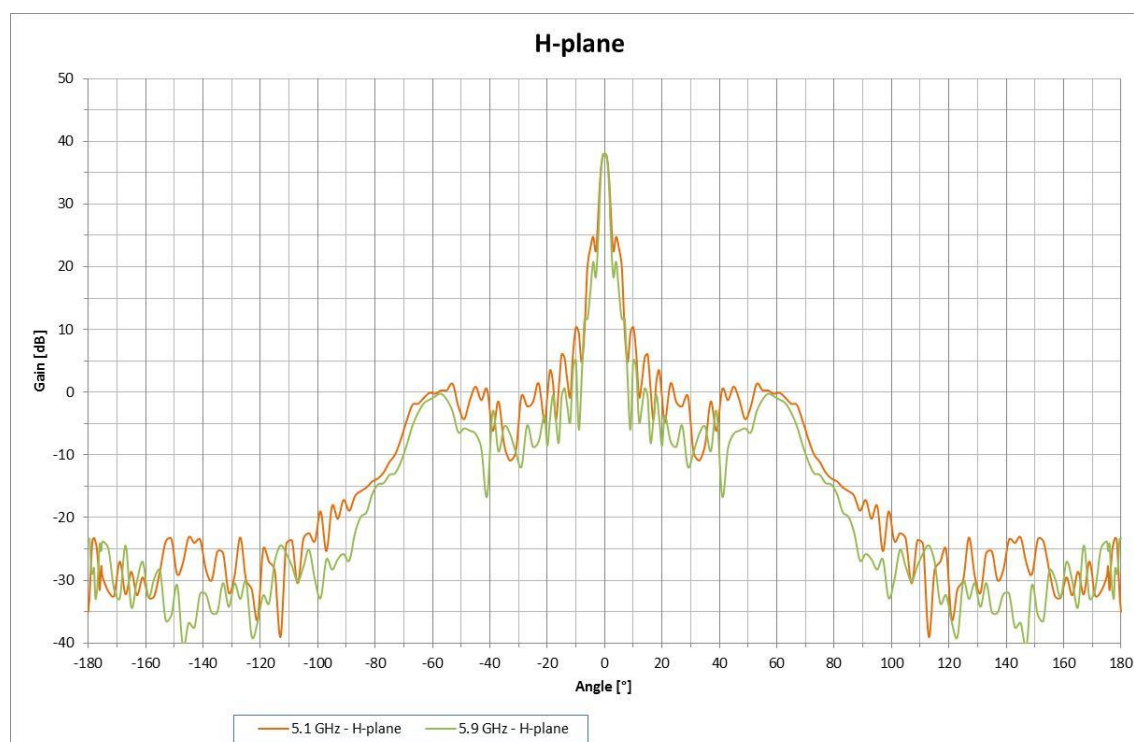
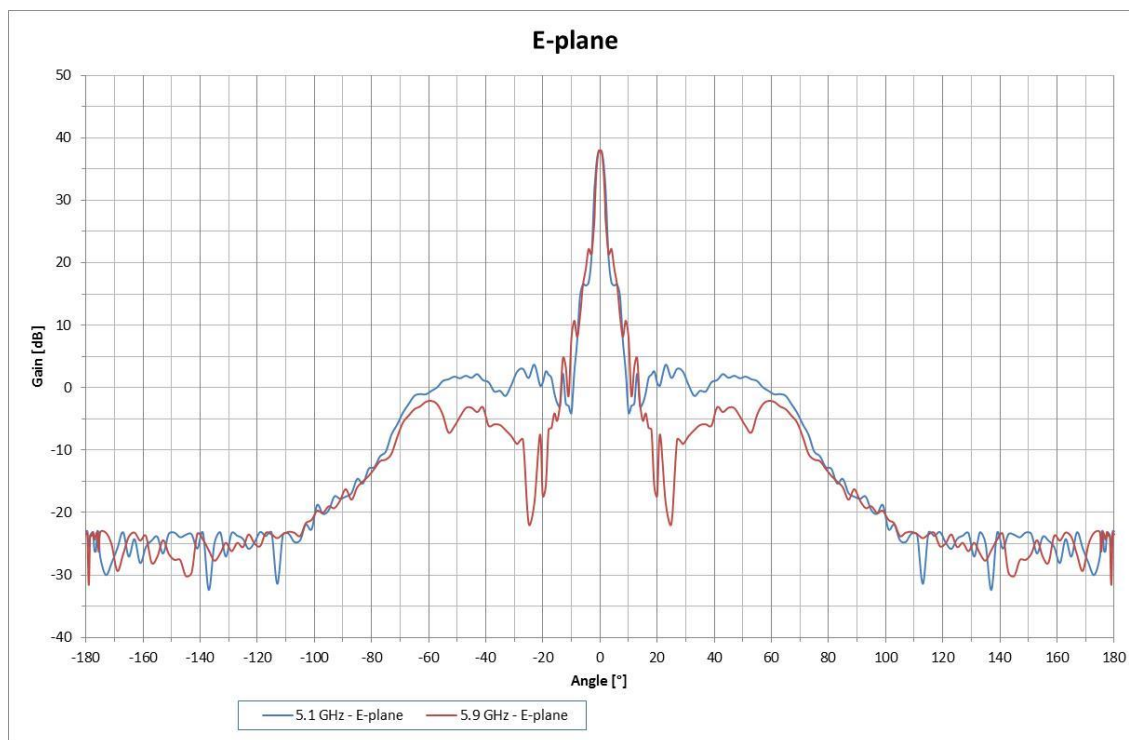
Frequency range	4.9 – 6.1 GHz
Gain	38.0 ± 1 dBi
VSWR 5.1 – 5.9 GHz	≤ 1.6
Beamwidth -3 dB	2.1°
Port to port isolation 5.1 – 5.9 GHz	≥ 50 dB (typ. 53 dB) (rest of the freq. range ≥ 43 dB)
XPD 4.9 – 6.1 GHz	≥ 35 dB
Front to Back ratio	≥ 60 dB
Polarization	Linear, vertical/horizontal or 45°

Mechanical parameters:

Parabola	Ø 1800 mm, Aluminium alloy
Radome	UV steady composite material
Type of connector	N-female, R-SMA
Installation for mast	Ø 70 - 120 mm
Operating wind load	140 km/h (87 mph)
Survival wind load	210 km/h (131 mph)
Weight of antenna	82 kg (180 lbs)
Shipping dimensions	1945 x 770 x 2050 mm / 140 kg 6' 4.6" x 2' 6.3" x 6' 8.7" / 308.6 lbs

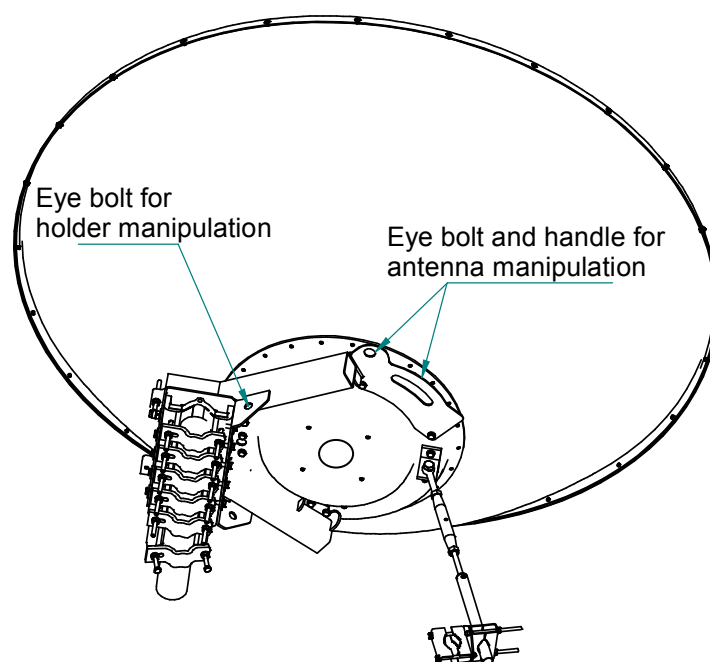
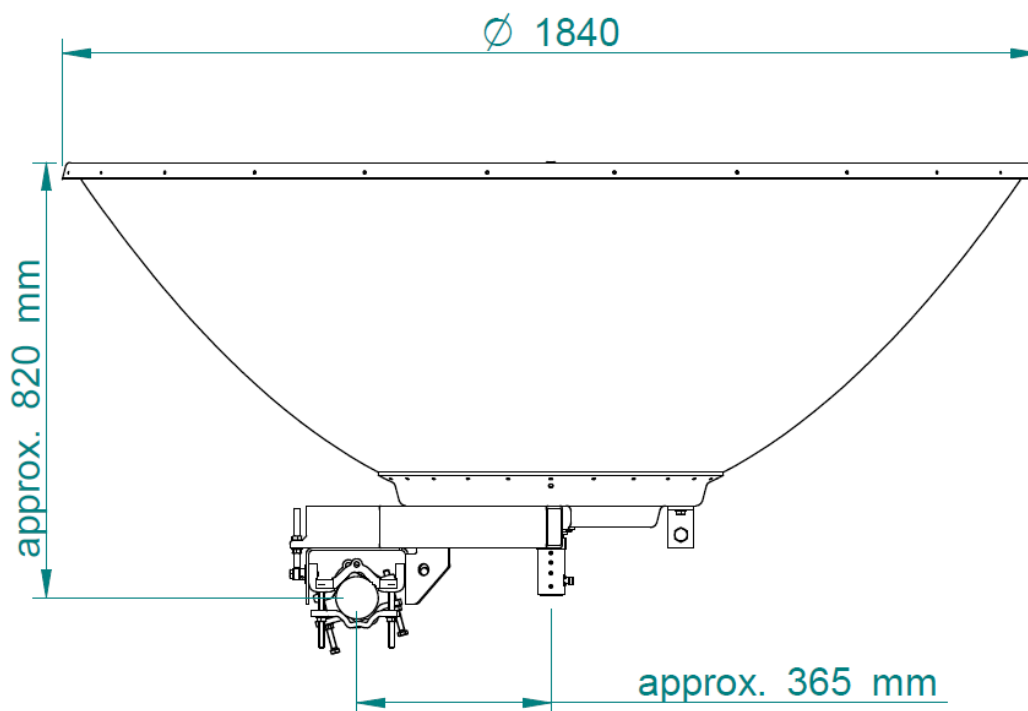
Parabolic antenna JRC-38DD Duplex Precision

Measurement of radiation pattern:



Parabolic antenna JRC-38DD Duplex Precision

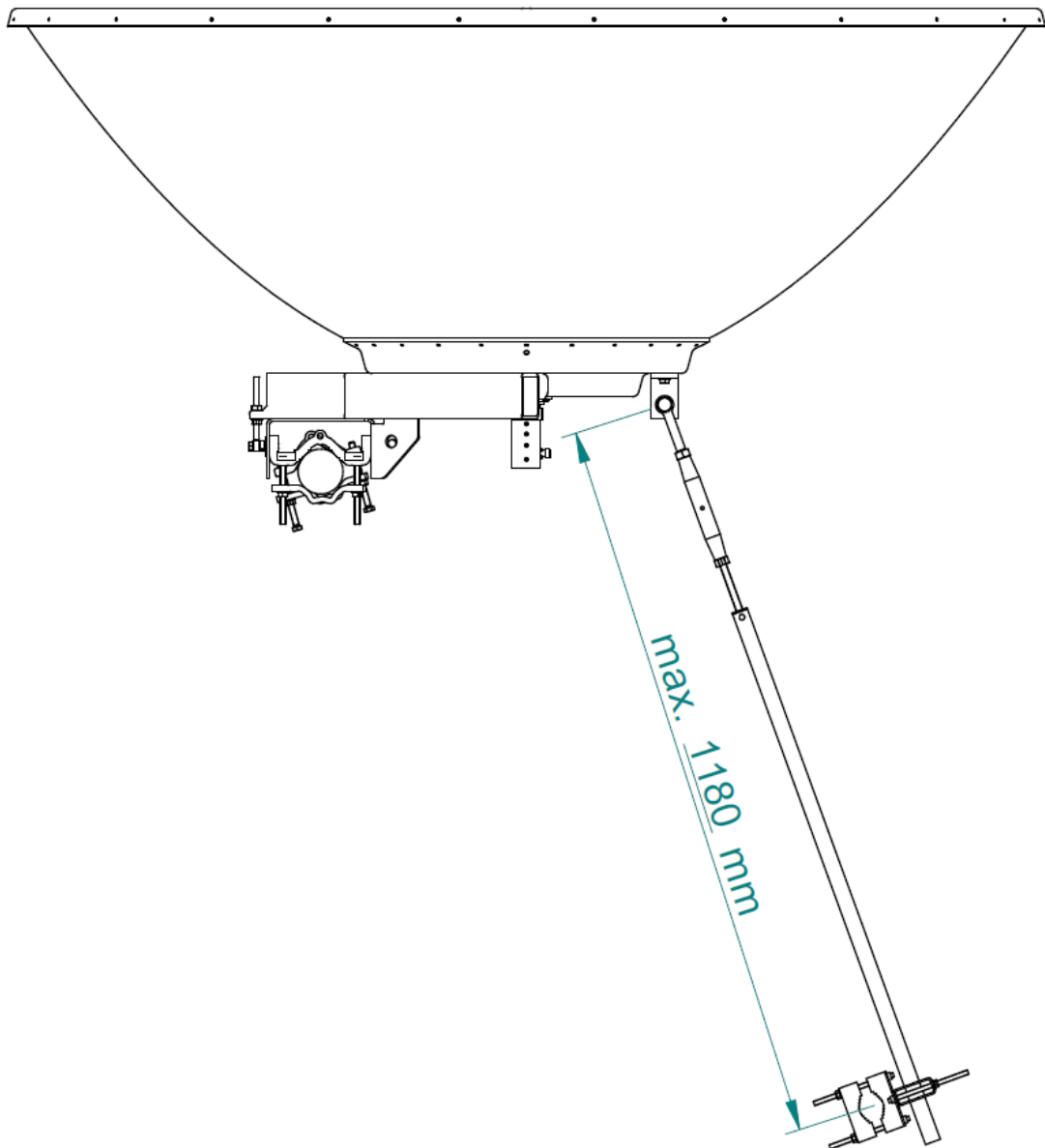
Outline:





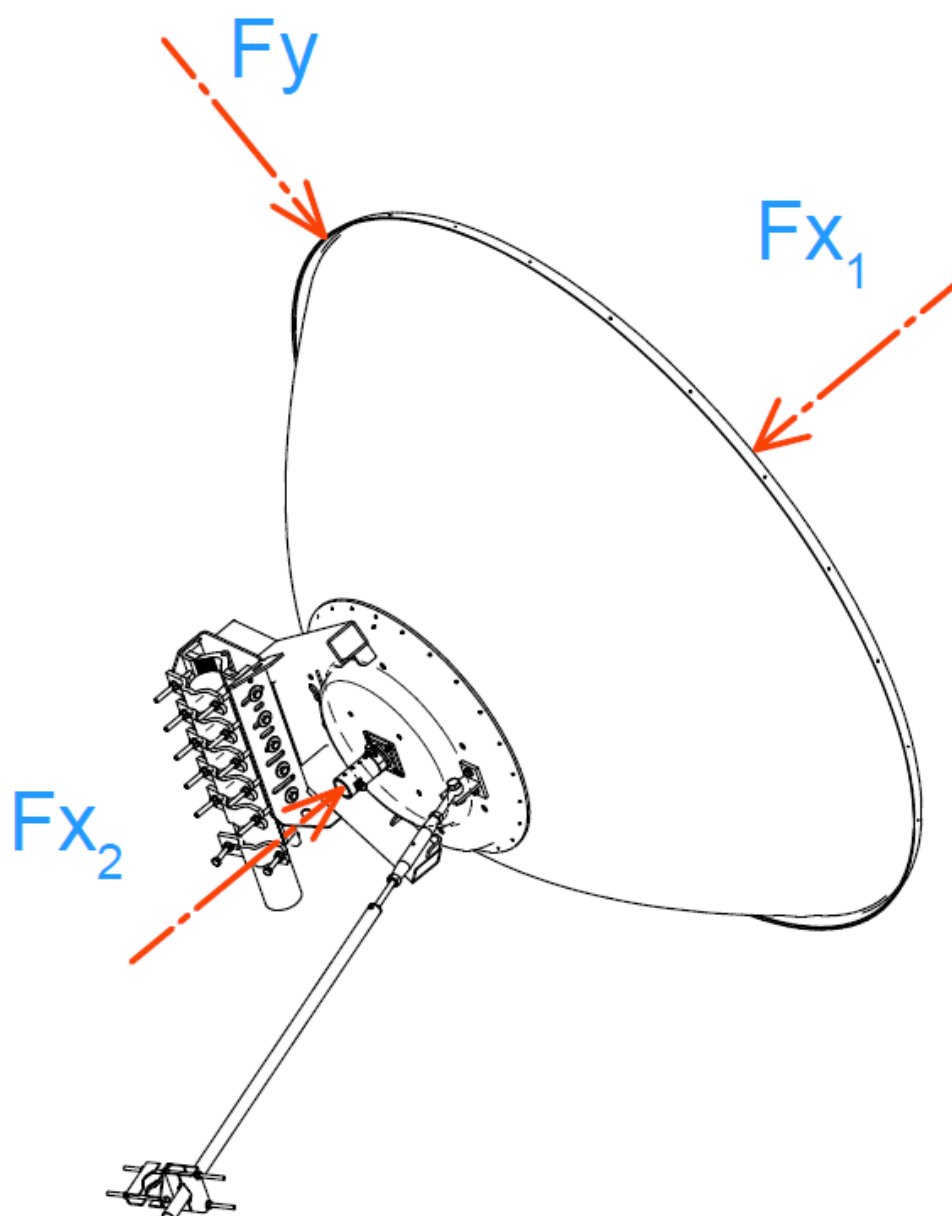
www.jirous.com

Parabolic antenna JRC-38DD Duplex Precision



Parabolic antenna JRC-38DD Duplex Precision

Wind loading:



Wind Loading 200 km/h [125 mph]		
Direction	Force [N]	Force [lbf]
Fx1	4424	994
Fx2	3394	763
Fy	672	151