



Product code: IH-G12-F5458-V

HORIZON 12/5.4-5.8GHz

electrical

Frequency (min)	5 400MHz
Frequency (max)	5 800MHz
Gain	a. 12dBi
VSWR (max)	1.50:1
Polarization	Vertical
Half Power Beam Width (-3dB) - horizontal	a. 360°
Half Power Beam Width (-3dB) - vertical	a. 6°
XPD (Cross Polarization Discrimination)	>18dB
Max Composite Power	2W
DC Ground	no
Impedance	50Ω

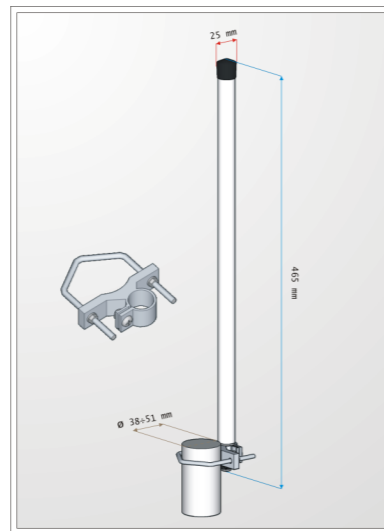
mechanical

Connector	N female
Mounting Diameter	∅ 38...51mm
Dimensions (excl. mount)	465x25mm
Weight (incl. mount)	0.31kg

enviromental

Enviroment	Outdoor
Windload	130km/h
IP Rating	IP64
Temperature	-30°C ... 80°C

compliance



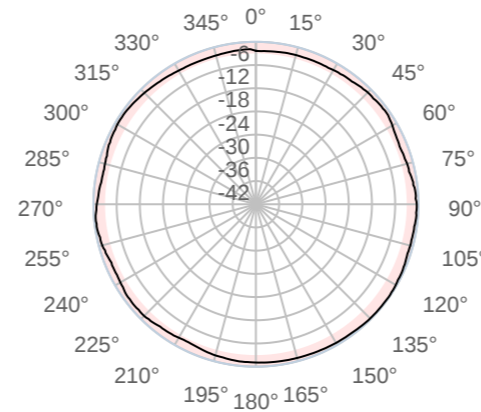
Installation tips:

Fine adjustment of the antenna ensures the correct propagation of radio signals. Proper installation of the mast, antenna and cable provide a stable and proper operation of the antenna installation.

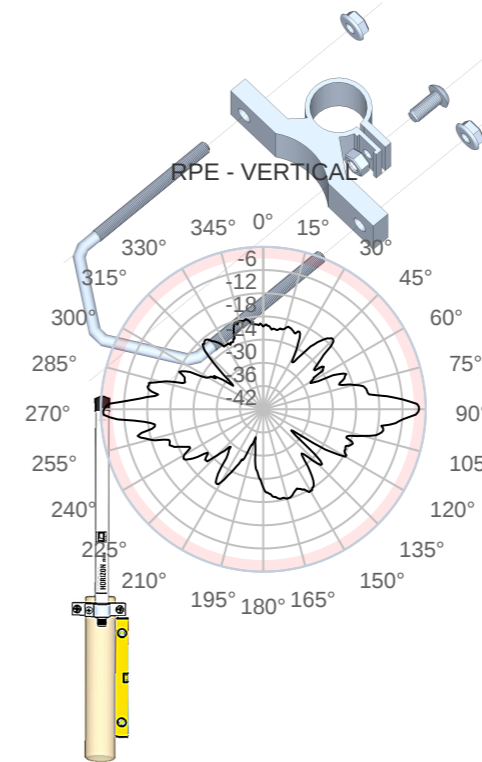
- Level mast or boom using a bubble leveler.
- Assemble the antenna mount as on drawing.
- Mount antenna on the mast.
- Level the mast or boom, check antenna vertical position.
- Finally tighten the mounting screws.
- Connect cable and insulate antenna connector.
- Fasten cable to the mast or boom.
- It is worth to note achieved link parameters.



RPE - HORIZONTAL



RPE - VERTICAL



VSWR: IH-G12-F5458-V

