

## Parabolic antenna JRC-38DD MIMO Precision

Dual-polarized parabolic antenna **JRC-38DD MIMO Precision** is designed for directional links with MIMO mode at the frequency band 5 GHz for very long distances. **Its design with deep dish increases isolation among antennas on a mast increases front to back ratio.**

### Electrical parameters:

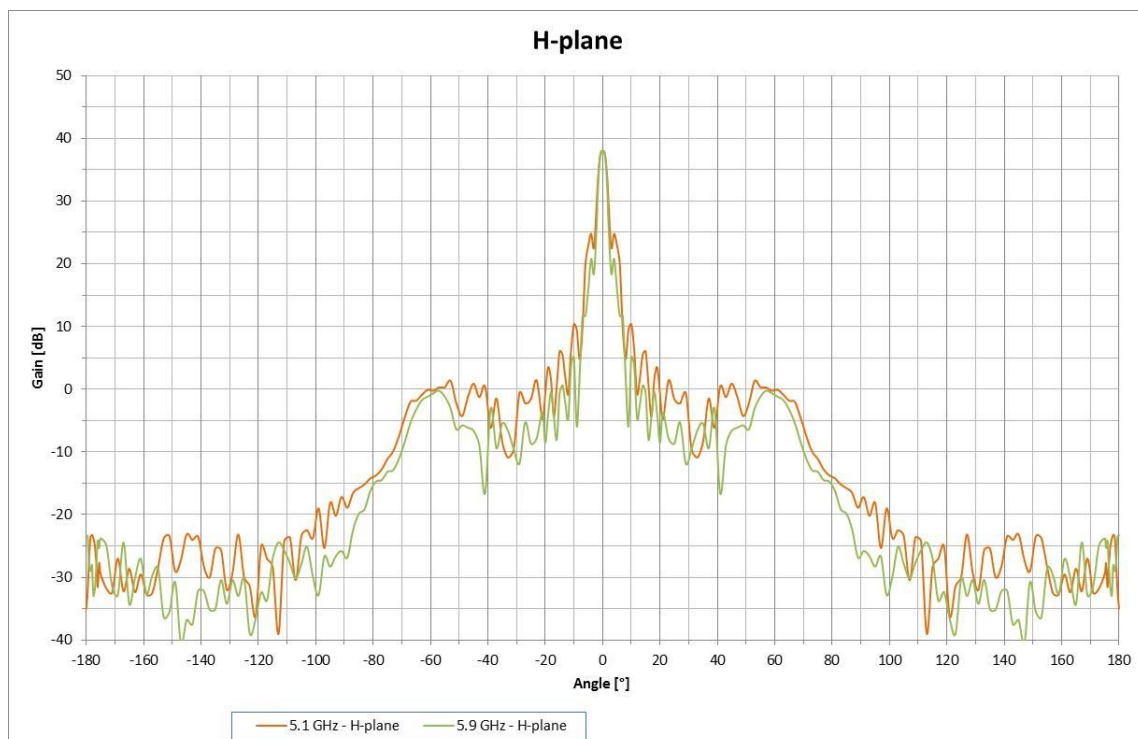
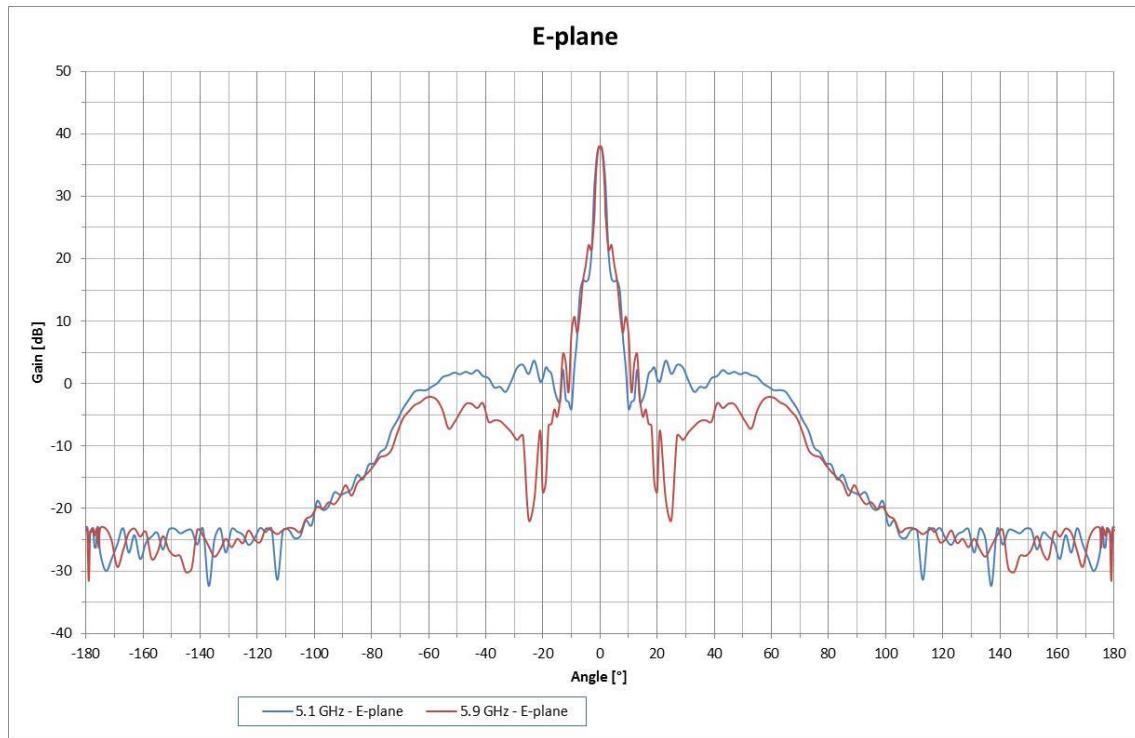
<b>Frequency range</b>	4.9 – 6.4 GHz
<b>Gain</b>	38.0 ± 1 dBi
<b>VSWR</b> 5.1 – 5.9 GHz	≤ 1.4
<b>Beamwidth</b> -3 dB	2.1°
<b>Port to port isolation</b> 5.1 – 5.9 GHz	≥ 26 dB
<b>XPD</b> 5.1 – 5.9 GHz	≥ 25 dB
<b>Front to Back ratio</b>	≥ 60 dB
<b>Polarization</b>	Linear, vertical/horizontal or 45°

### Mechanical parameters:

<b>Parabola</b>	Ø 1800 mm, Aluminium alloy
<b>Radome</b>	UV steady composite material
<b>Type of connector</b>	N-female, R-SMA
<b>Installation for mast</b>	Ø 70 - 120 mm
<b>Operating wind load</b>	140 km/h (87 mph)
<b>Survival wind load</b>	210 km/h (131 mph)
<b>Weight of antenna</b>	82 kg (180 lbs)
<b>Shipping dimensions</b>	1945 x 770 x 2050 mm / 140 kg 6' 4.6" x 2' 6.3" x 6' 8.7" / 308.6 lbs

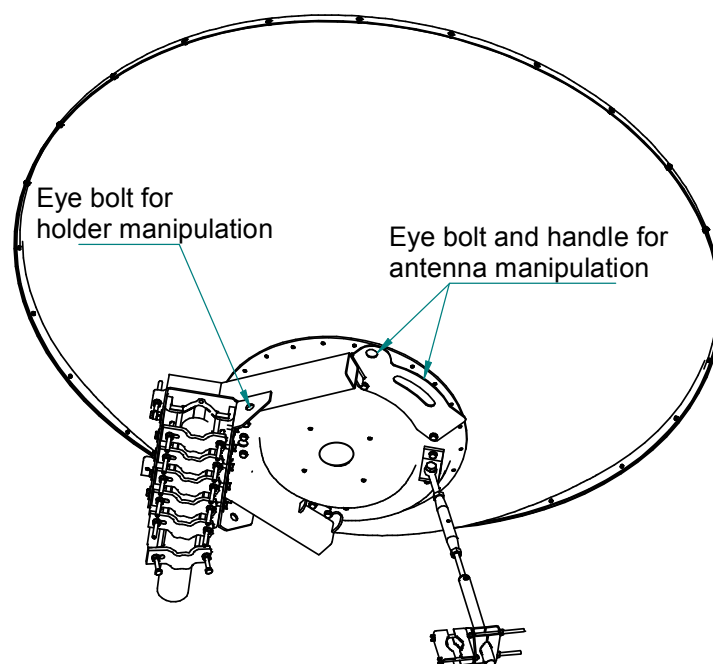
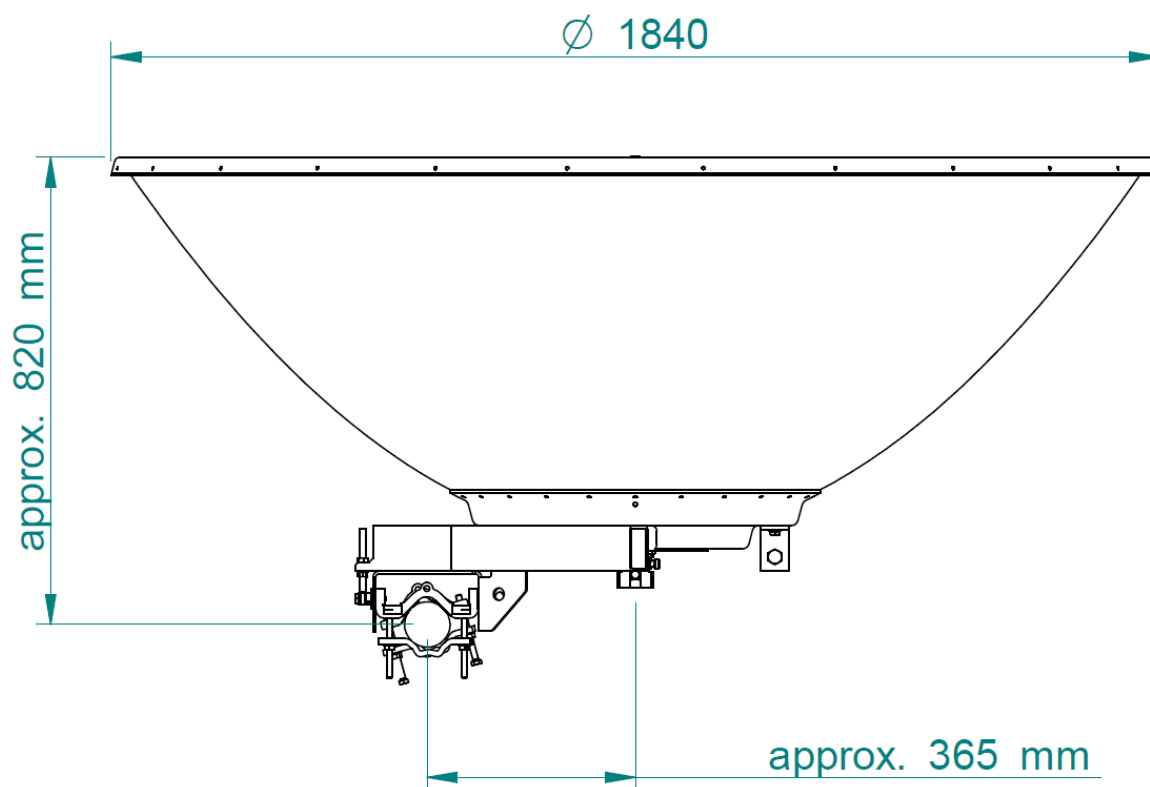
# Parabolic antenna JRC-38DD MIMO Precision

## Measurement of radiation pattern:



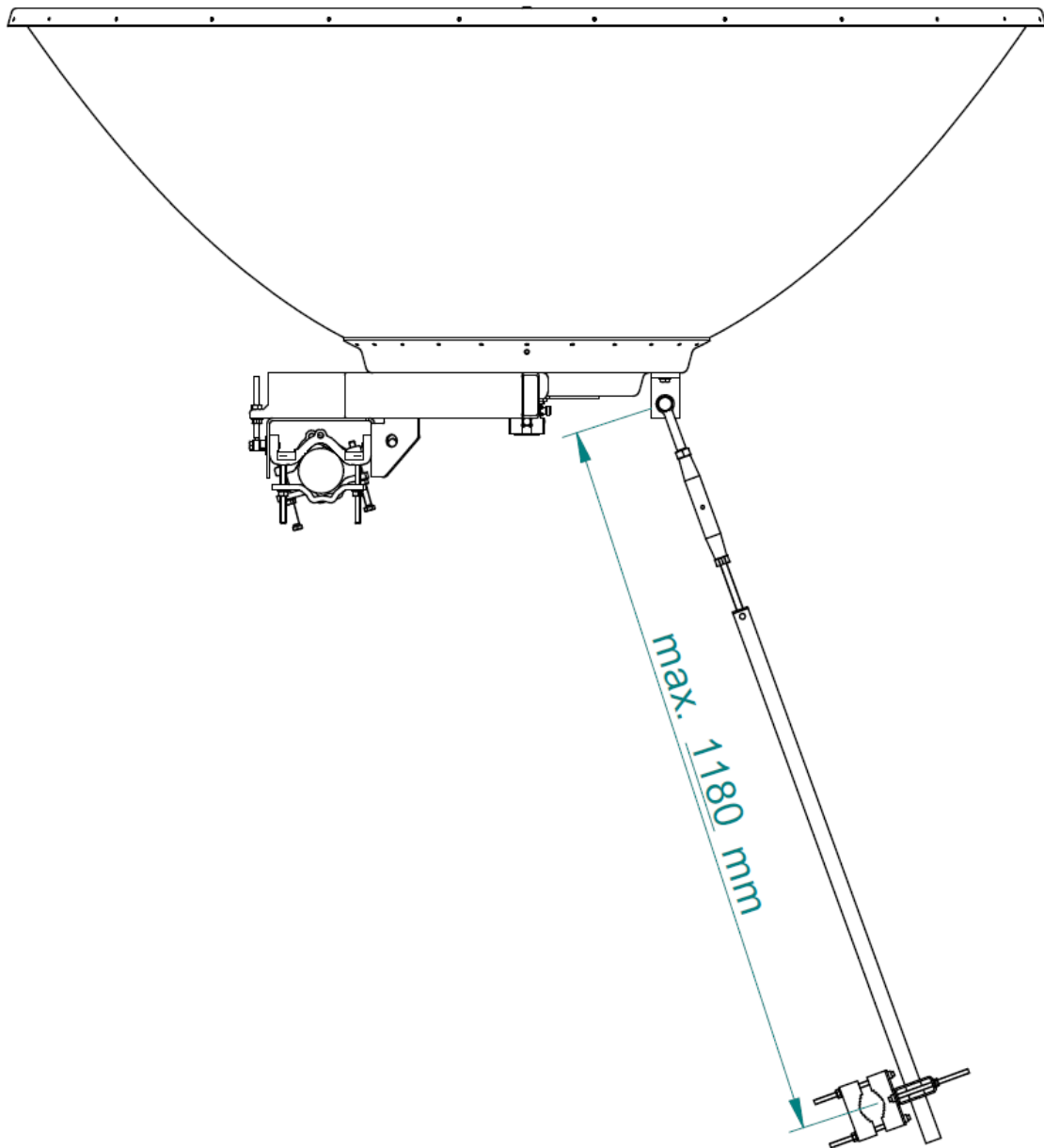
## Parabolic antenna JRC-38DD MIMO Precision

### Outline:



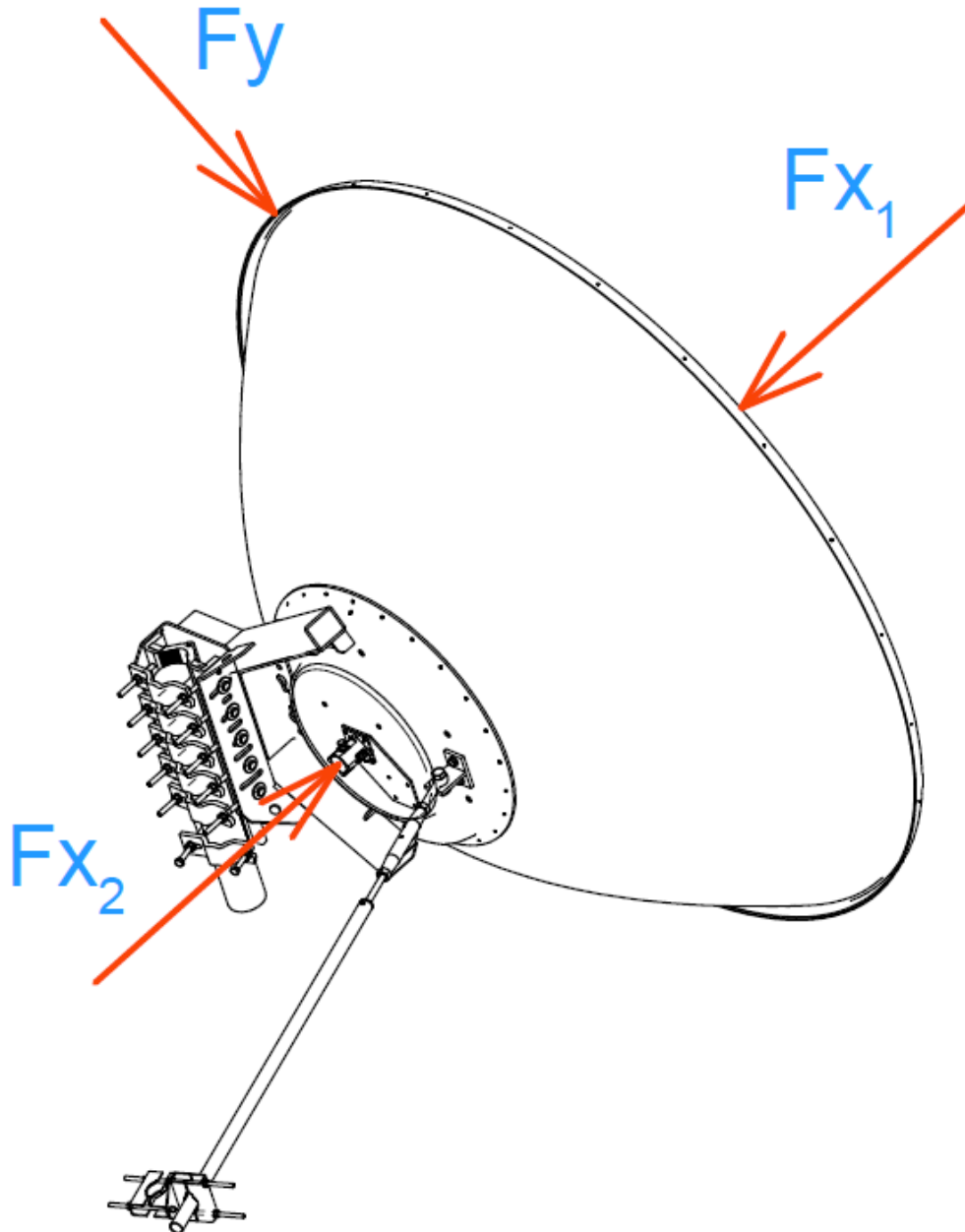


# Parabolic antenna JRC-38DD MIMO Precision



## Parabolic antenna JRC-38DD MIMO Precision

Wind loading:



Wind Loading 200 km/h [ 125 mph ]		
Direction	Force [ N ]	Force [ lbf ]
Fx1	4424	994
Fx2	3394	763
Fy	672	151