

Parabolic antenna JRMB-1200-4.7 MIMO

Antenna JRMB – 1200 – 4.7 MIMO is designed for directional links at the frequency band 4.7 GHz. It has deep reflector dish and massive holder which allows precise adjustment in both directions.

Electrical parameters:

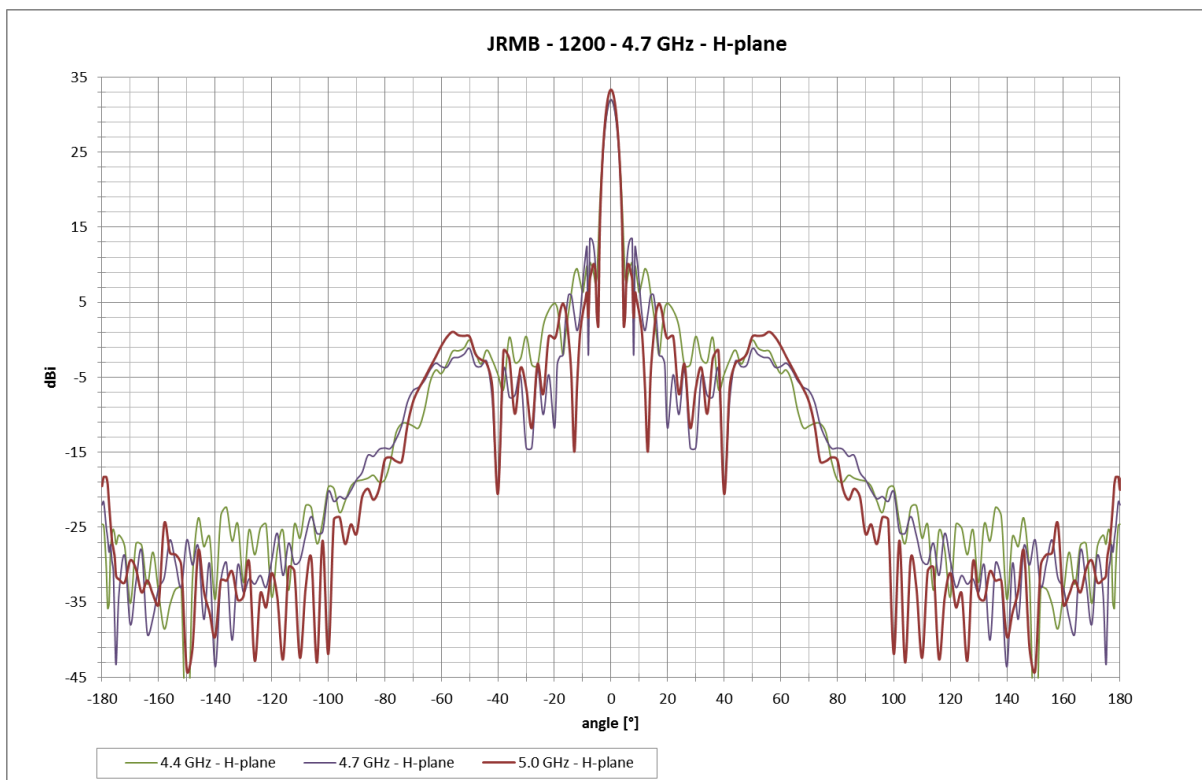
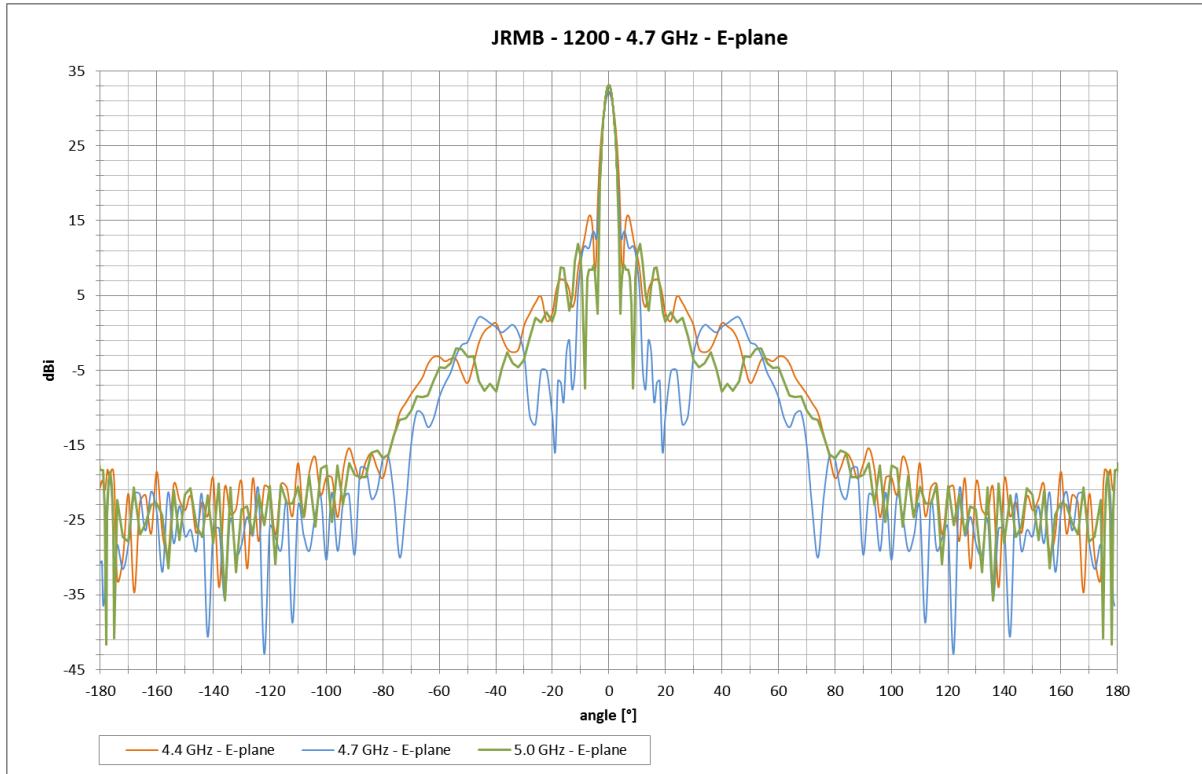
Frequency range	4.4 – 5.0 GHz
Gain	32.2 ± 1 dBi
Beamwidth_{-3 dB}	3.5°
Front to back ratio	≥ 49 dB
Isolation between connectors	> 35 dB
Return loss	≥ 14 dB
Polarization	Vertical and horizontal

Mechanical parameters:

Parabola	Ø 1200 mm , Aluminium alloy
Radome	UV steady plastic ABS
Type of connector	N-female
Installation for mast	Ø 80 - 120 mm Ø 60 - 80 mm with adjustable wind bracing set
Operating wind load	110 km/h (68 mph) without wind bracing set 140 km/h (87 mph) with wind bracing set
Survival wind load	210 km/h (131 mph)
Weight of antenna	30 kg (66 lbs.)
Shipping dimensions – 1pc	1310 x 740 x 1440 mm/67 kg (147 lbs.)
Shipping dimensions – 2pcs	1310 x 1100 x 1440 mm/104 kg (229 lbs.)

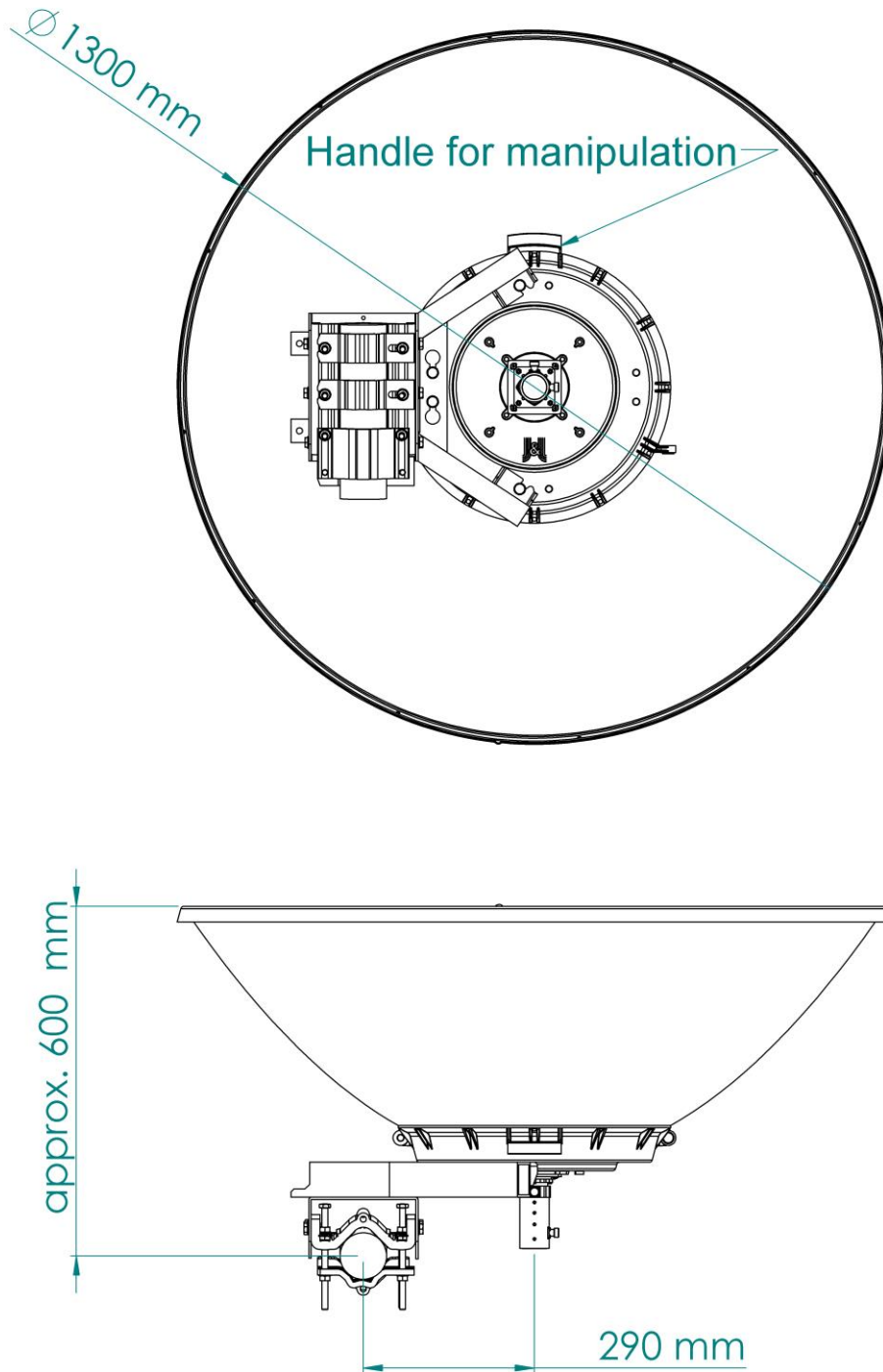
Parabolic antenna JRMB-1200-4.7 MIMO

Measurement:

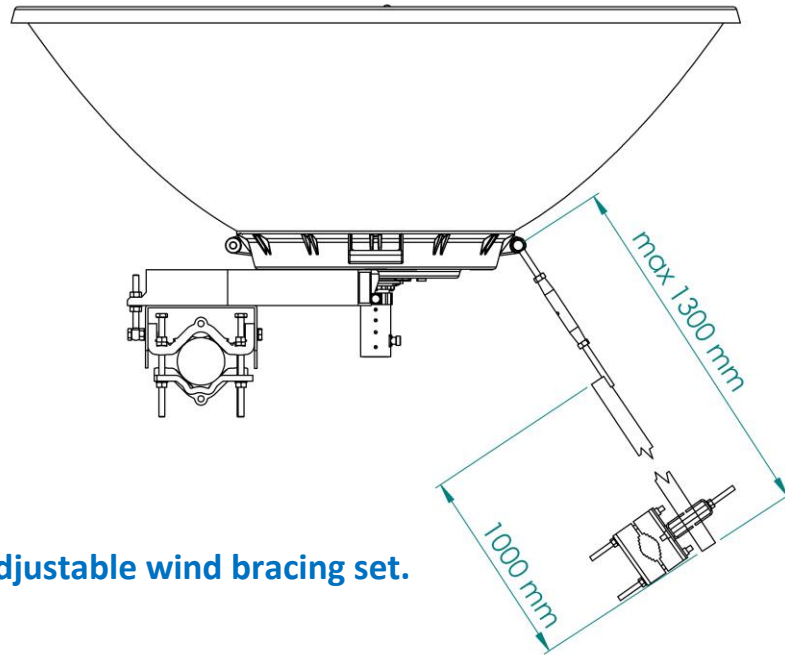


Parabolic antenna JRMB-1200-4.7 MIMO

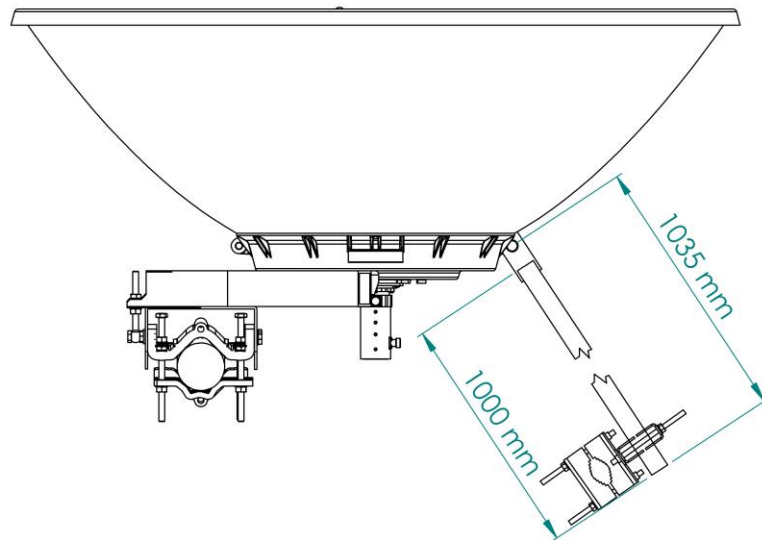
Outline:



Parabolic antenna JRMB-1200-4.7 MIMO



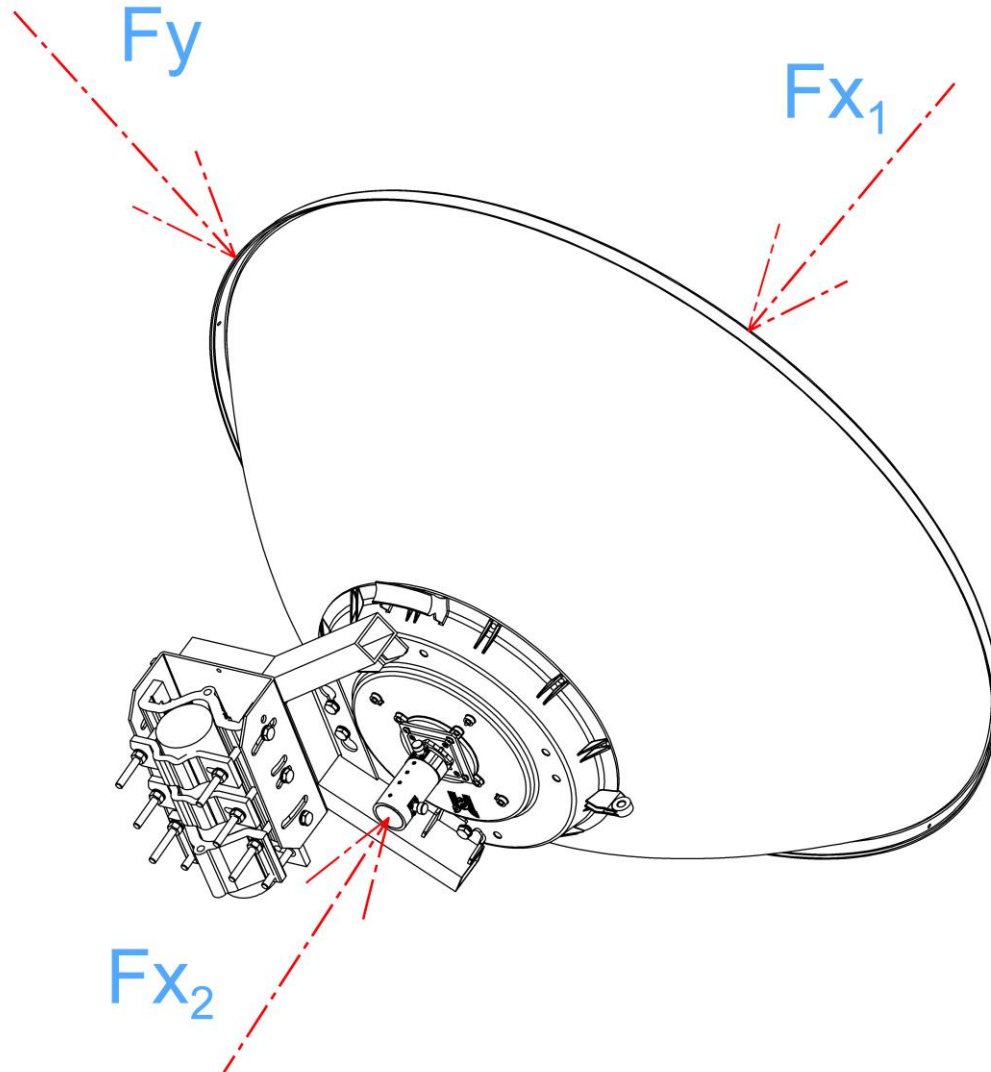
Antenna with adjustable wind bracing set.



Antenna with wind bracing set.

Parabolic antenna JRMB-1200-4.7 MIMO

Wind loading:



Wind Loading at 200 km/h [125 mph]

Direction	Force [N]	Force [lbf]
F_{x_1}	2696	606
F_{x_2}	2186	491.4
F_y	247	55.5