

Parabolic antenna JRC-38DD MIMO PriS

Dual-polarized parabolic antenna **JRC-38 Deep Dish MIMO PriS** is designed for links with dual-polarized **PrismStation radio units** at the frequency band 5 GHz. The antenna is designed for environments with multiple reflections for long and medium distances in difficult conditions. **Its design with deep dish increases isolation among antennas on a mast and increases front to back ratio. The new concept expands the frequency band.**

Other models: **JRC-38DD MIMO Precision** – standard deep dish MIMO antenna
JRC-38DD DupLEX Precision – deep dish full duplex antenna

Electrical parameters:

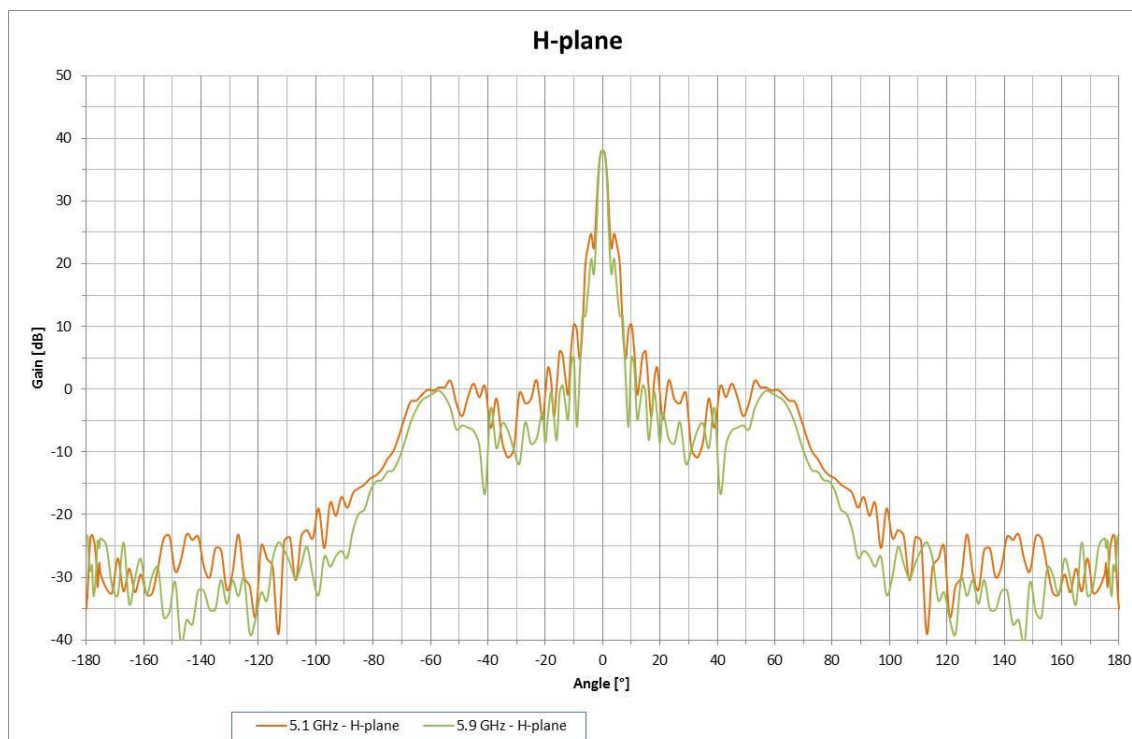
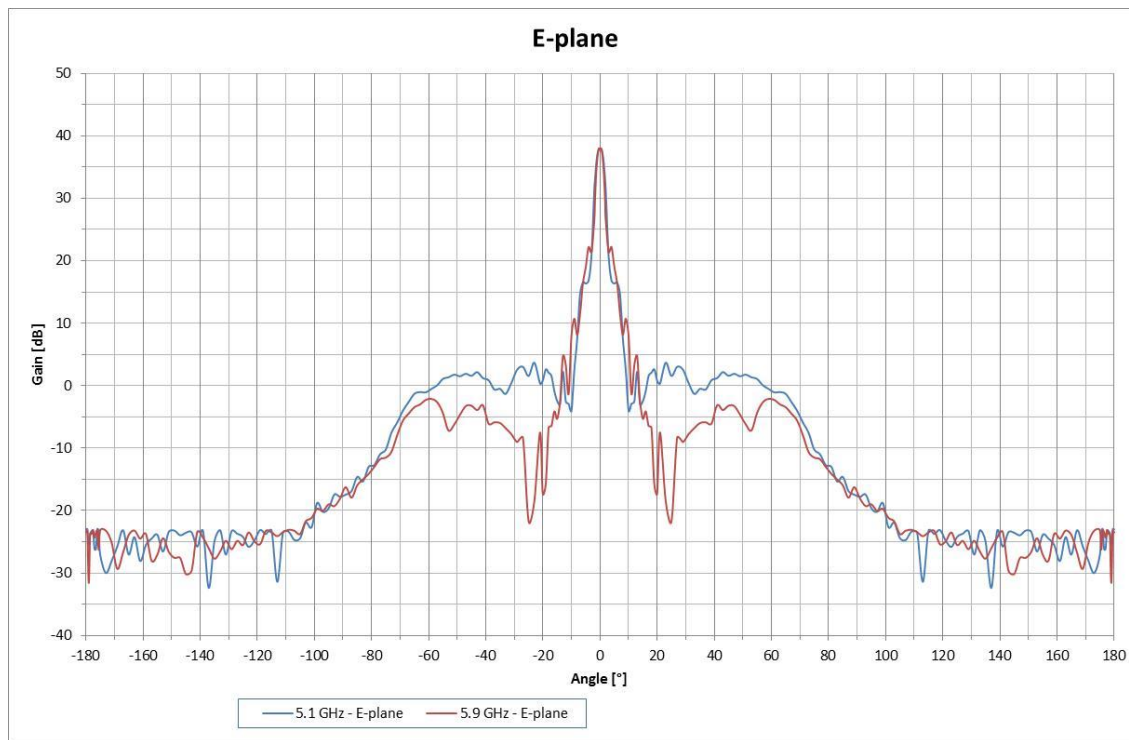
Frequency range	4.9 – 6.4 GHz
Gain	38.0 ± 1 dBi
VSWR _{5.1 – 5.9 GHz}	≤ 1.4
Beamwidth _{-3 dB}	2.1°
Port to port isolation _{5.1 – 5.9 GHz}	≥ 26 dB
XPD _{5.1 – 5.9 GHz}	≥ 25 dB
Front to Back ratio	≥ 60 dB
Polarization	Linear, vertical/horizontal or 45°

Mechanical parameters:

Parabola	Ø 1800 mm, Aluminium alloy
Radome	UV steady composite material
Connection	Waveguide for UBNT PrismStation
Installation for mast	Ø 70 - 120 mm
Operating wind load	140 km/h (87 mph)
Survival wind load	210 km/h (131 mph)
Weight of antenna	82 kg (180 lbs)
Shipping dimensions	1945 x 770 x 2050 mm / 140 kg 6' 4.6" x 2' 6.3" x 6' 8.7" / 308.6 lbs

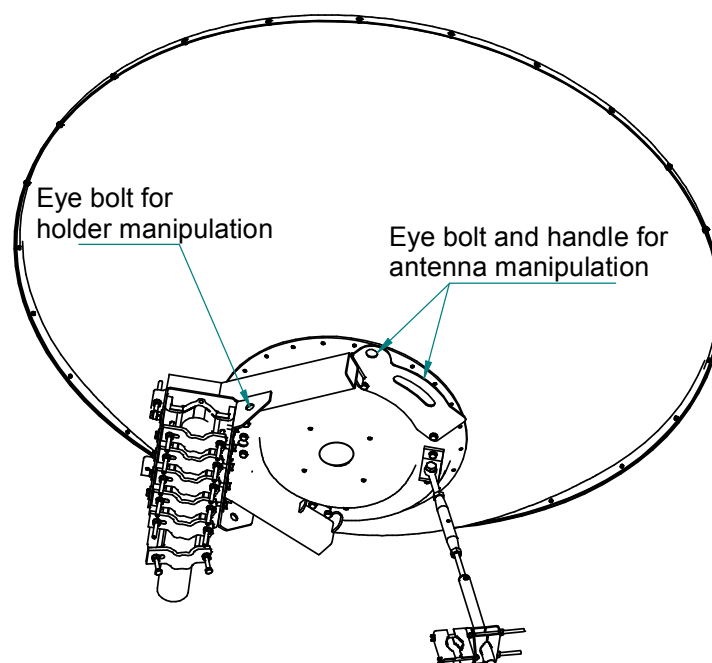
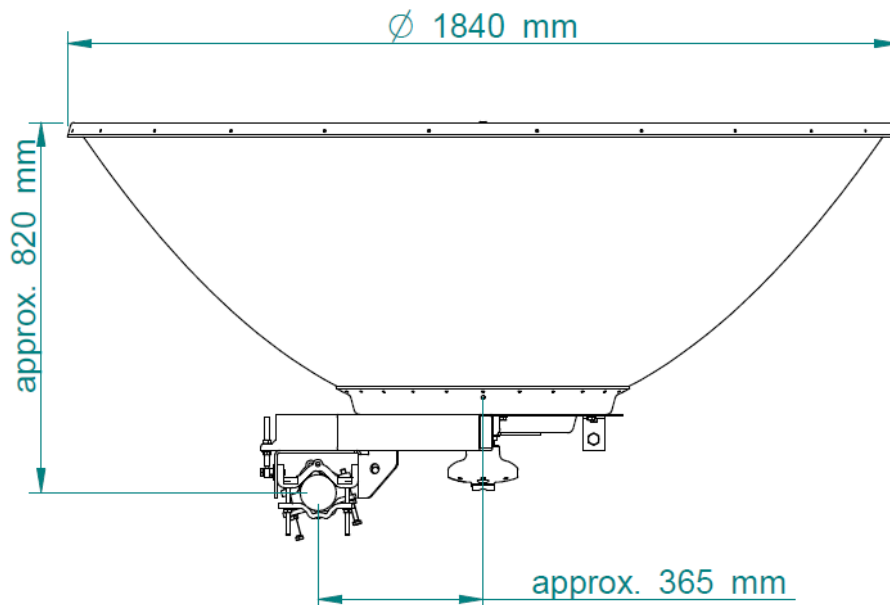
Parabolic antenna JRC-38DD MIMO PriS

Measurement of radiation pattern:

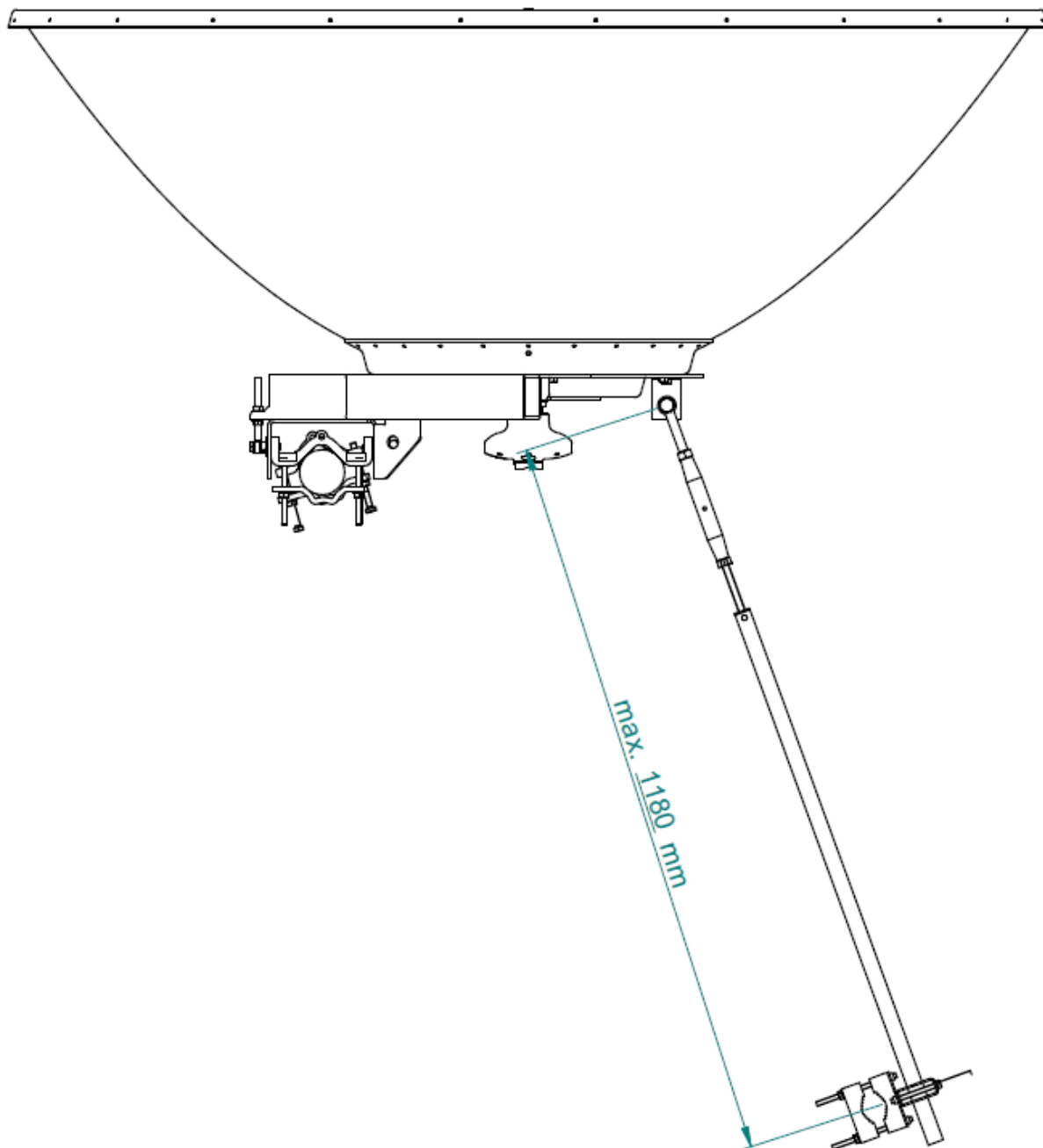


Parabolic antenna JRC-38DD MIMO PriS

Outline:

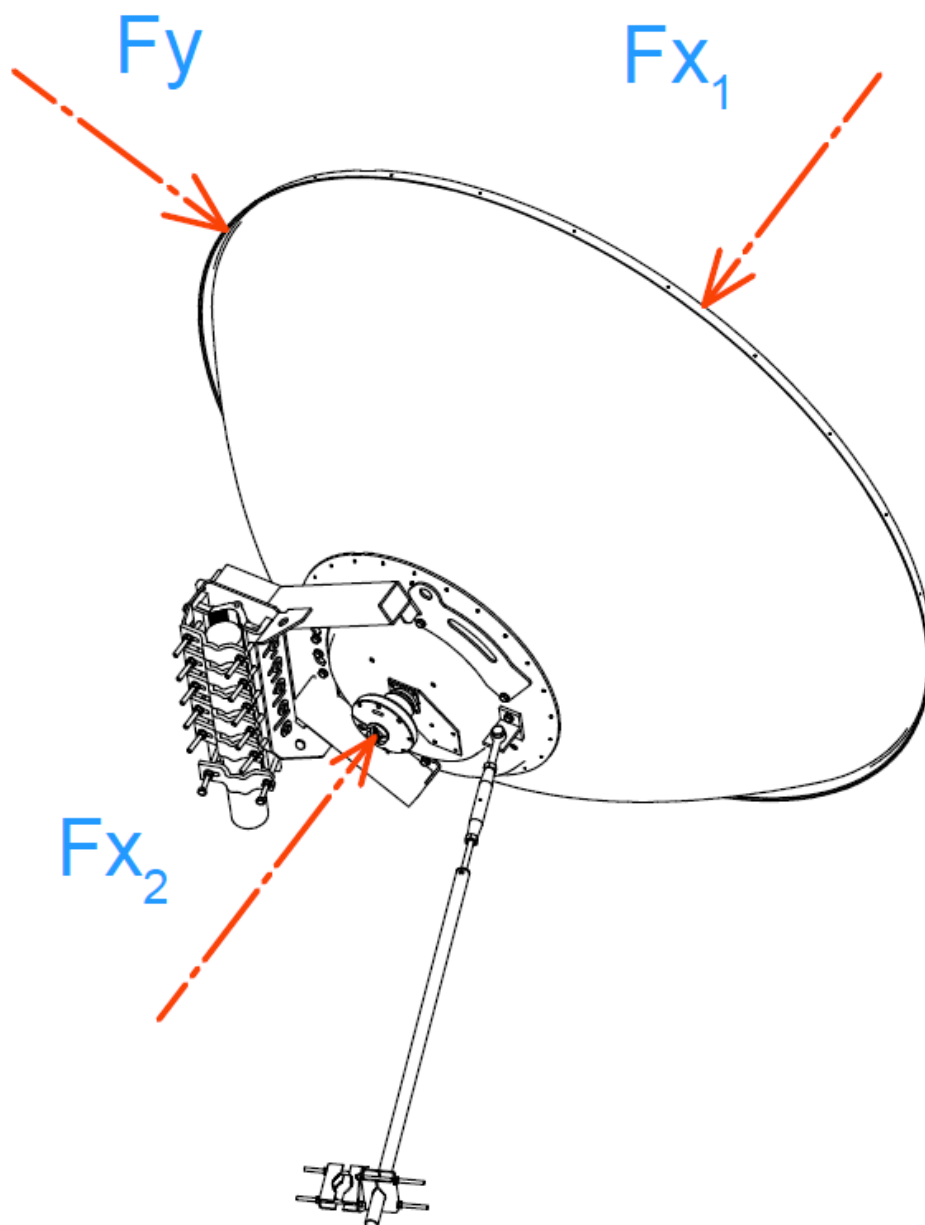


Parabolic antenna JRC-38DD MIMO PriS



Parabolic antenna JRC-38DD MIMO PriS

Wind loading:



Wind Loading 200 km/h [125 mph]		
Direction	Force [N]	Force [lbf]
Fx1	4424	994
Fx2	3394	763
Fy	672	151