

# NanoBracket® for ePMP™

BRACKET FOR ePMP™ 1000 INTEGRATED RADIO

Second Generation of our Innovative NanoBracket® - now for Cambium Networks™ ePMP™ 1000 Integrated Radio!

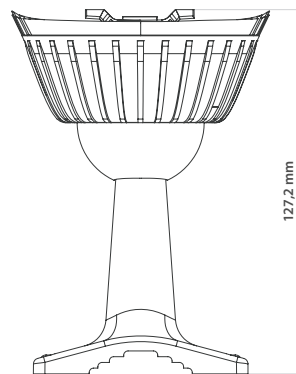
NanoBracket® is the most advanced solution for CPE installation and positioning, environmental resistance and durability. Second generation of NanoBracket® offers improvements on 3-Axis adjustment system and further enhances the ease of installation and outdoor durability using Die Cast Aluminium and Polycarbonate.



## TECHNICAL DATA

Materials	Die Cast Aluminum UV stabilized and weather resistant ABS plastic UV stabilized and weather resistant Polycarbonate All Hardware - Stainless Steel
Operating Temp.	-30 to +60 °C
Wind Survival	160 Km/h
Weight	0.35 Kg / 0.77 lbs – single piece incl. package 18.4 Kg / 40.6 lbs – carton (50 pcs)
Single Unit	Retail Box: 15 x 9 x 9 cm
50 Units	Carton Box: 48 x 46,5 x 31,5 cm

## PRODUCT DIMENSIONS

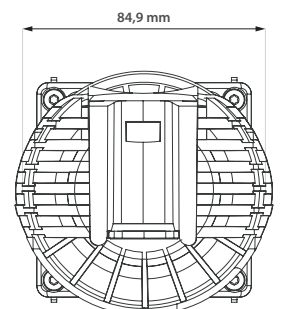
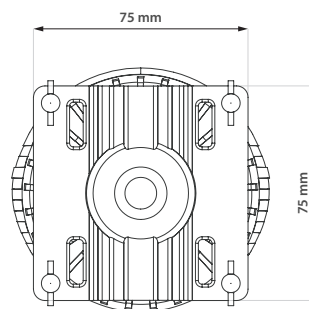


## COMPATIBLE WIRELESS PLATFORMS

Cambium Networks™ | ePMP™ 1000 Integrated Radio

## PACKAGE CONTENTS

NanoBracket® Body  
Locking Wedge  
4x Screw M3,5 x 45mm  
4x Wall Plug  
1x Hose Clamp\*



\*Second Hose Clamp is delivered with ePMP™ Radio