

Parabolic antenna JRMB-1800-4.7 MIMO

Antenna JRMC-1800-4.7 MIMO is designed for microwave links at the frequency band 4.7 GHz. It has deep reflector dish and massive holder which allows precise adjustment in both directions.

Electrical parameters:

Frequency range	4.4 – 5.0 GHz
Gain	35.2 ± 0.7 dBi
Front to back ratio	≥ 50 dB
Polarization	Dual Linear, vertical/horizontal
XPol	≥ 30 dB

Mechanical parameters:

Parabola	Ø 1800 mm , aluminium alloy
Radom	UV resistant composite material
Type of connectors	N-female
Installation for mast	Ø 70 - 120 mm
Operating wind load	140 km/h (87 mph)
Survival wind load	210 km/h (130 mph)
Weight of antenna	82 kg (180 lbs.)
Shipping dimensions	1945 x 770 x 2050 mm / 140 kg 6' 4.6" x 2' 6.3" x 6' 8.7" / 308.6 lbs

Parabolic antenna JRMB-1800-4.7 MIMO

Usage:

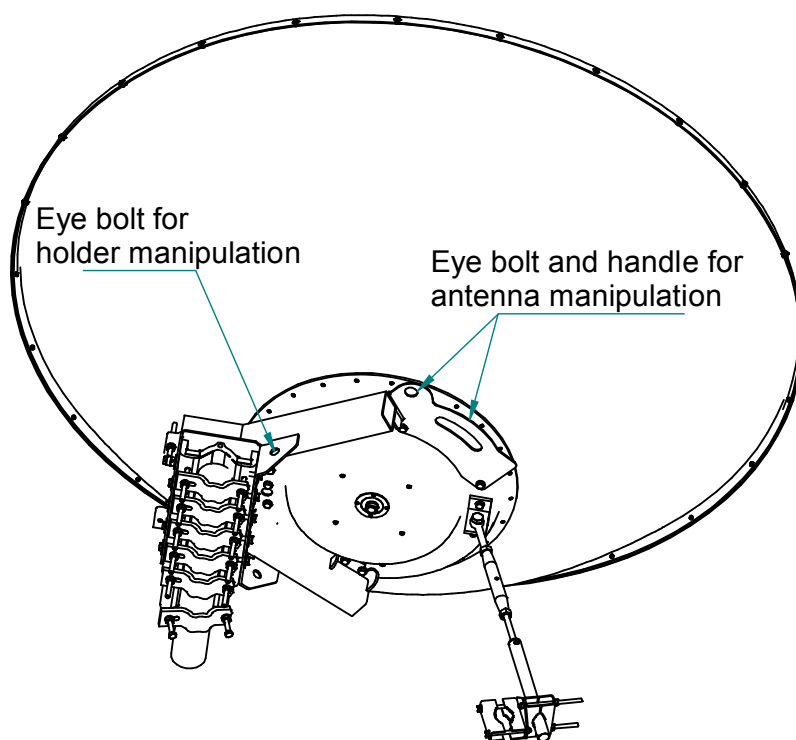
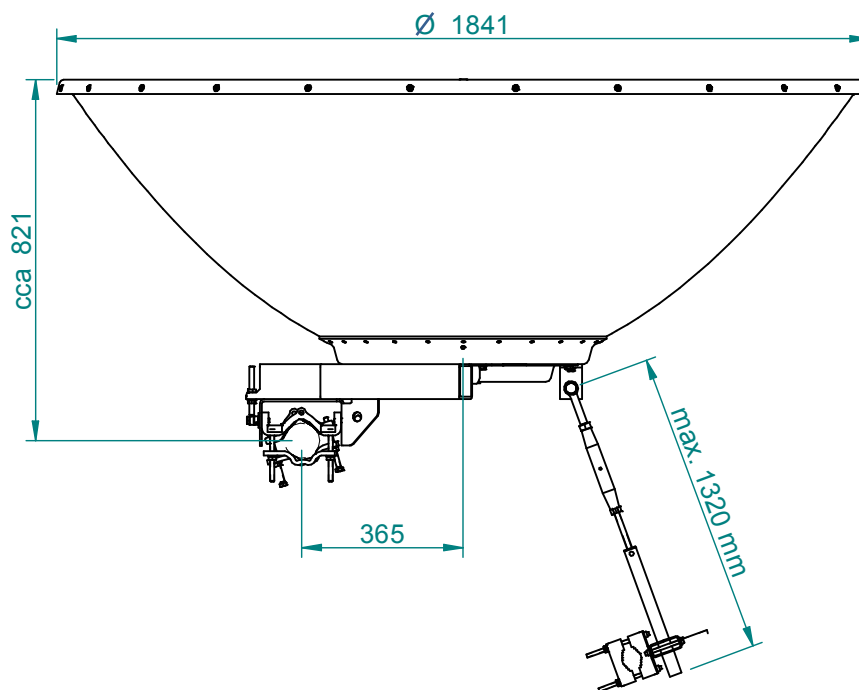
The antenna is supplied together with a massive holder that allows easy mounting on a mast. Holder can be installed separately on the mast. Subsequently, the antenna and microwave unit can be simply hung up into it.

Antenna holder allows fine setting of elevation $\pm 7^\circ$. Adjustable wind bracing set for fine setting of azimuth $\pm 7^\circ$ is a part of antenna.

Ready for right and left side mounting.

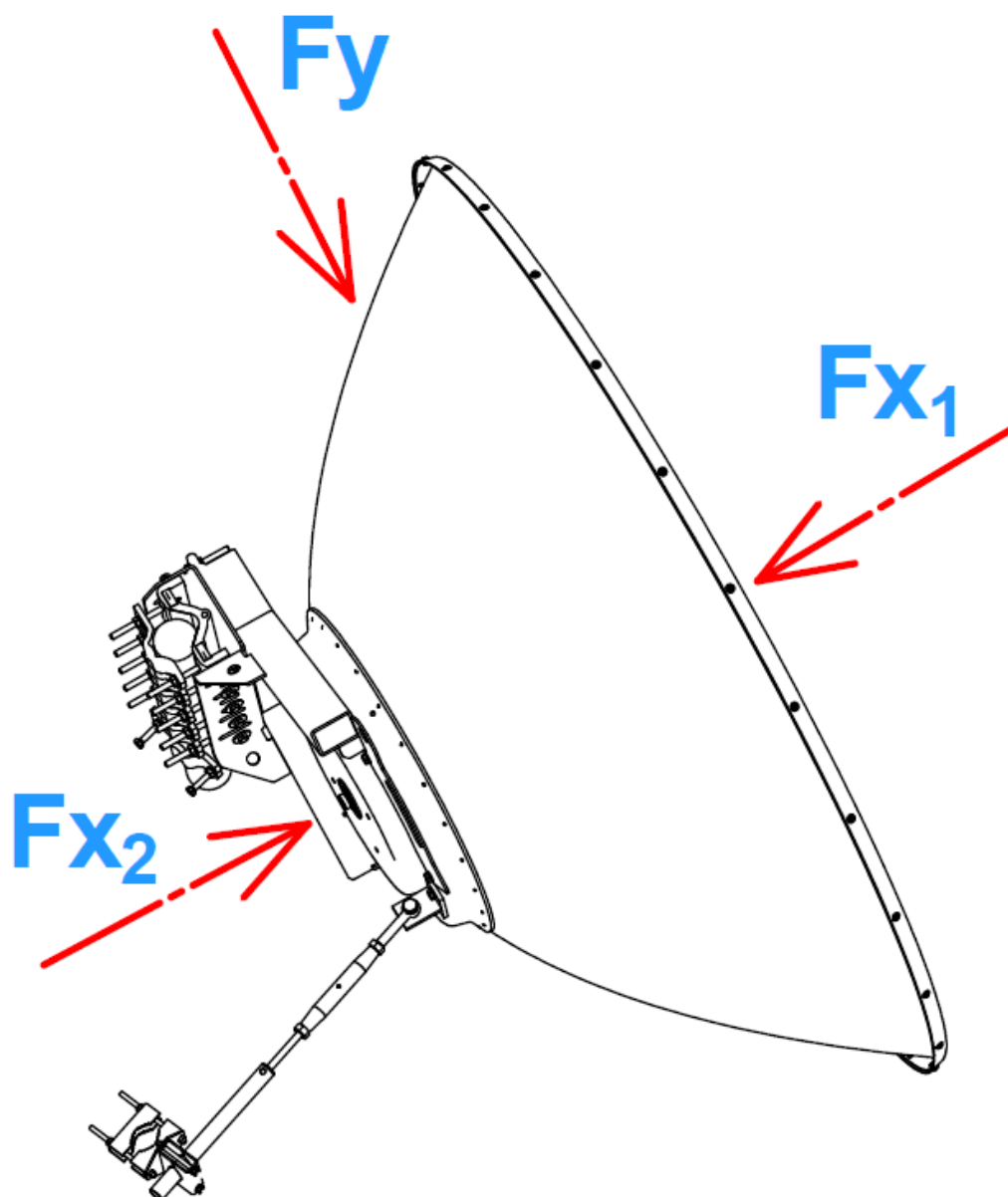
Parabolic antenna JRMB-1800-4.7 MIMO

Outline:



Parabolic antenna JRMB-1800-4.7 MIMO

Wind loading:



Wind Loading 200 km/h [125 mph]		
Direction	Force [N]	Force [lbf]
Fx1	4424	994
Fx2	3394	763
Fy	672	151