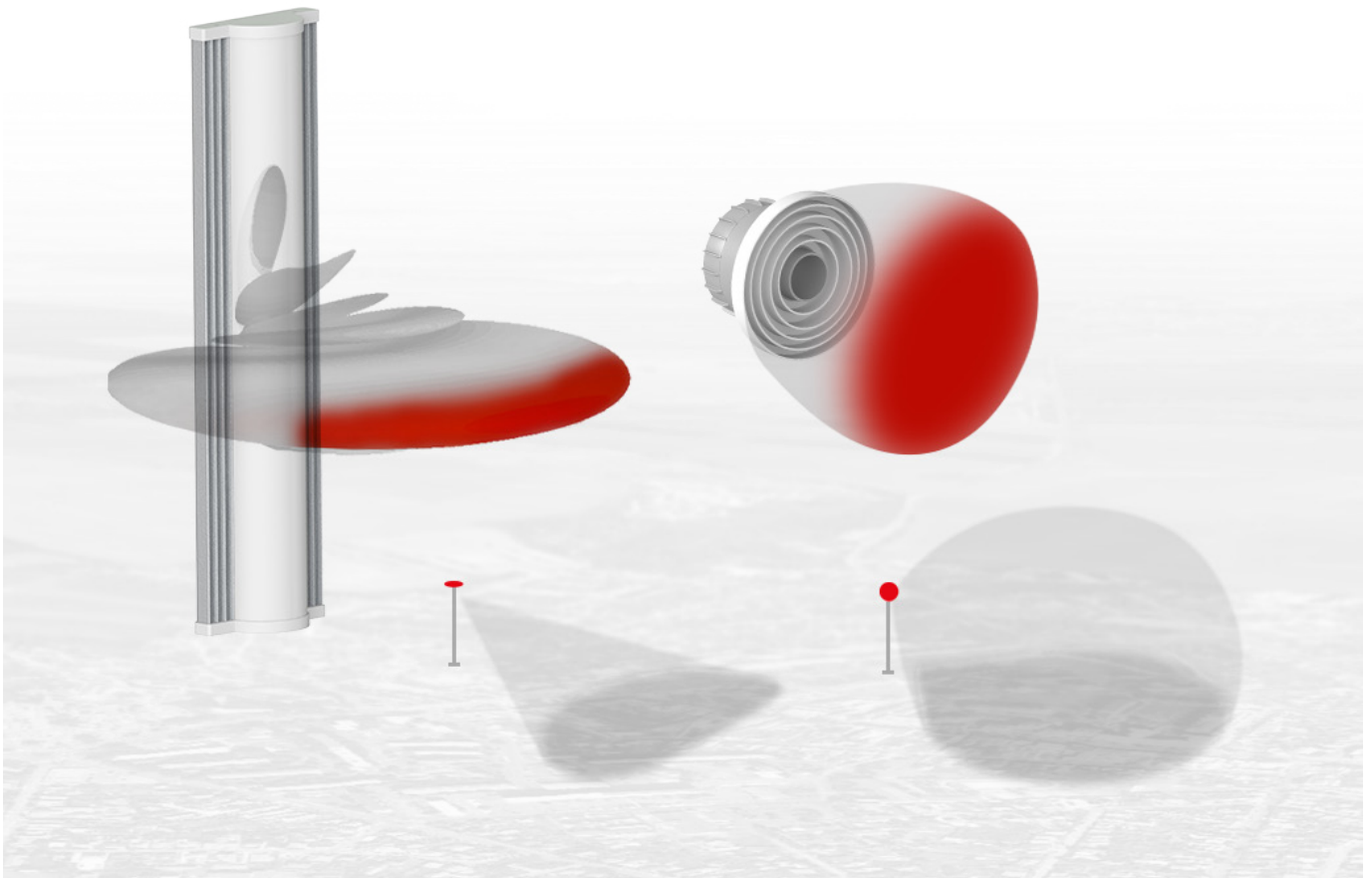


Symmetrical Sector Antennas

Why Symmetrical Horns?

Symmetrical Horn antennas have symmetrical beam pattern in both horizontal and vertical planes. The beam pattern does not vary with frequency, antenna gain is balanced over wide frequency range. Symmetrical Horn antennas are low loss and have attenuated side radiation lobes. These makes them excellent for use as Sector antennas.



Benefits of wide vertical beam width

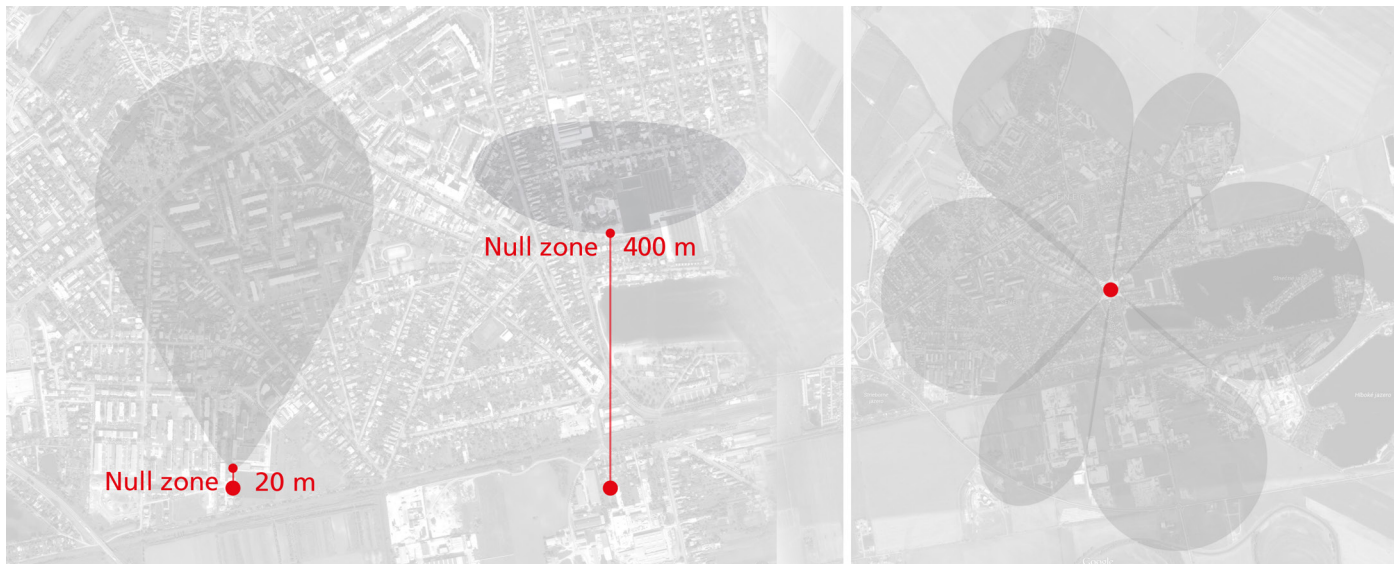
Symmetrical Sectors antennas have wide vertical beamwidth that provides benefits in coverage pattern.

More Coverage without Null

Symmetrical Sectors cover more area than traditional Sectors with narrow vertical beamwidth. Symmetrical Sectors have no issues with connecting close clients.

Easy Co-location

As a result of very low sidelobes of horn antennas, Symmetrical Sectors are ideal for cluster deployments and co-location.



TwistPort Connector

Connecting Simper Radios to Sector Antennas is a simple “twist and snap”. Connection with radio is virtually lossless.



Compact and Weatherproof

Symmetrical Sector antennas are compact and easy to mount virtually anywhere. Symmetrical Sectors are made of the best weather resistant materials as aluminium, plastic and st. steel.

Symmetrical Horn SH-TP 5-30

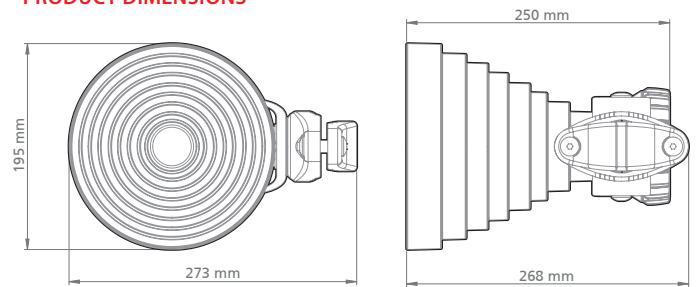
SYMMETRICAL HORN ANTENNA
FOR SIMPER RADIO



PHYSICAL

Antenna Connection	TwistPort - Quick Locking Waveguide Port
Antenna Type	Horn
Environmental	IP55
Temperature	-30°C to +55°C (-22°F to +131°F)
Weight	1.8 kg
Wind Survival	160 km/hour
Mechanical Tilt	± 25°
Dimensions (H x W x D)	195 x 273 x 268 mm

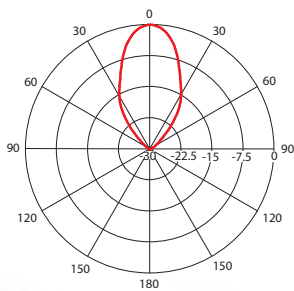
PRODUCT DIMENSIONS



PERFORMANCE

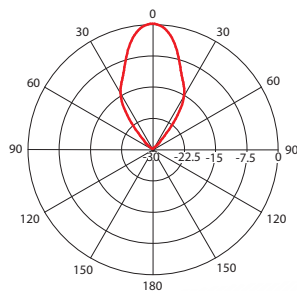
Frequency Range	4900 - 6200 MHz
Gain	18 dB
Polarization	Horizontal + Vertical
Front-to-Back Ratio	37 dB
Xpol attenuation	32-33 dB
BW azimuth	30° (-6dB)
BW elevation	30° (-6dB)

AZIMUTH PATTERN



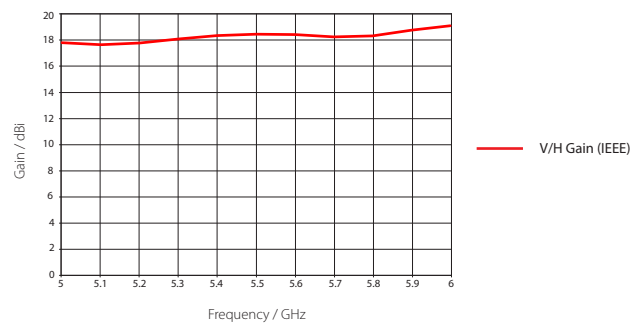
V/H-Port Pattern Azimuth 5.6GHz

ELEVATION PATTERN



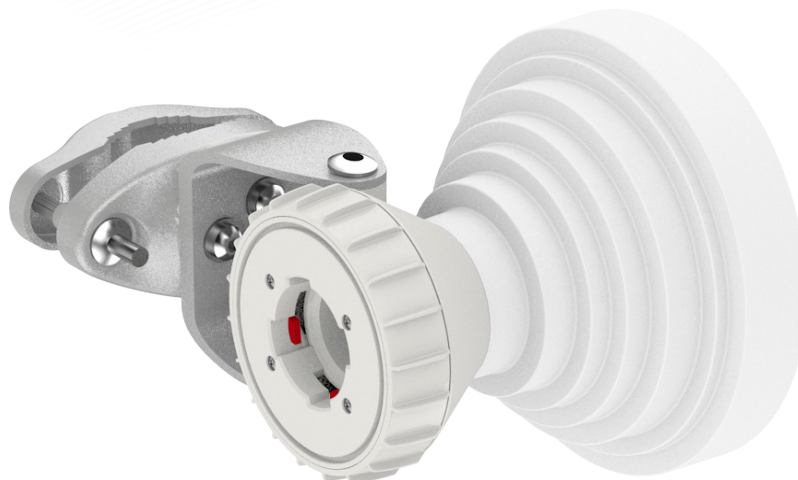
V/H-Port Pattern Elevation 5.6GHz

GAIN



Symmetrical Horn SH-TP 5-40

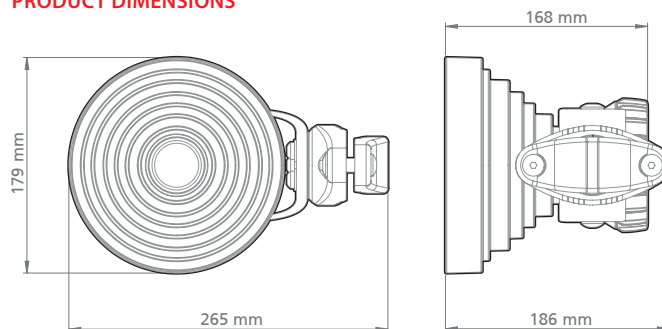
SYMMETRICAL HORN ANTENNA
FOR SIMPER RADIO



PHYSICAL

Antenna Connection	TwistPort - Quick Locking Waveguide Port
Antenna Type	Horn
Environmental	IP55
Temperature	-30°C to +55°C (-22°F to +131°F)
Weight	1.6 kg
Wind Survival	160 km/hour
Mechanical Tilt	± 25°
Dimensions (H x W x D)	179 x 265 x 186 mm

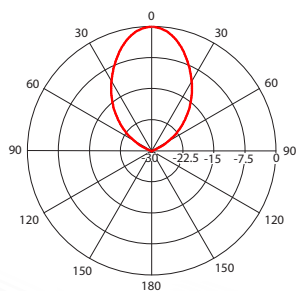
PRODUCT DIMENSIONS



PERFORMANCE

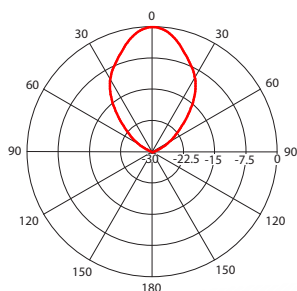
Frequency Range	4900 - 6200 MHz
Gain	16 dB
Polarization	Horizontal + Vertical
Front-to-Back Ratio	40 dB
Xpol attenuation	23-24 dB
BW azimuth	40° (-6dB)
BW elevation	40° (-6dB)

AZIMUTH PATTERN



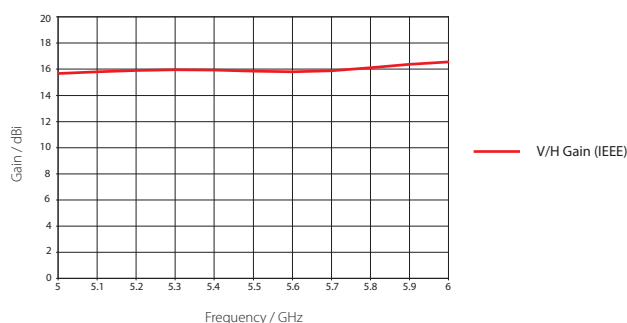
V/H-Port Pattern Azimuth 5.6GHz

ELEVATION PATTERN



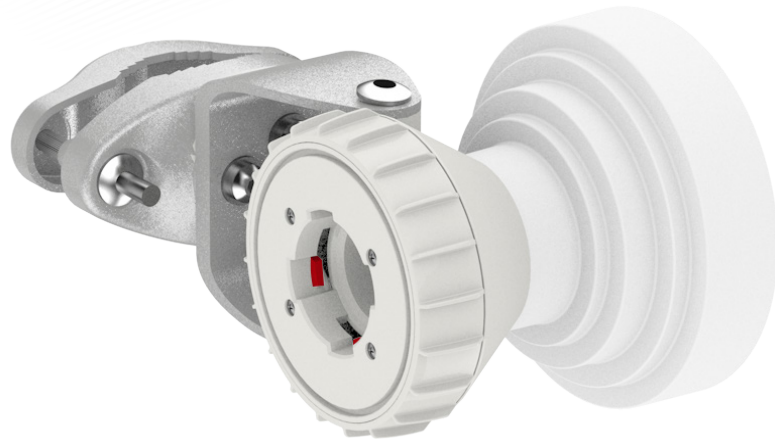
V/H-Port Pattern Elevation 5.6GHz

GAIN



Symmetrical Horn SH-TP 5-50

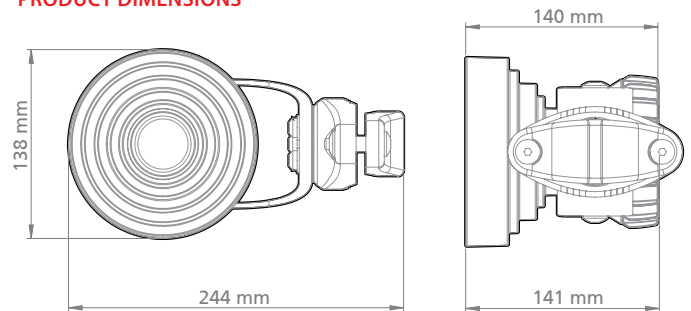
SYMMETRICAL HORN ANTENNA
FOR SIMPER RADIO



PHYSICAL

Antenna Connection	TwistPort - Quick Locking Waveguide Port
Antenna Type	Horn
Environmental	IP55
Temperature	-30°C to +55°C (-22°F to +131°F)
Weight	1.3 kg
Wind Survival	160 km/hour
Mechanical Tilt	± 25°
Dimensions (H x W x D)	138 x 244 x 141 mm

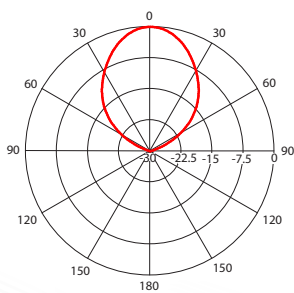
PRODUCT DIMENSIONS



PERFORMANCE

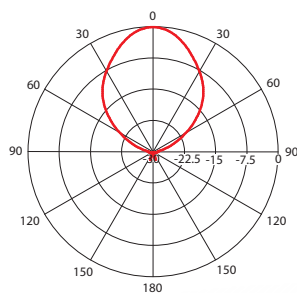
Frequency Range	4900 - 6200 MHz
Gain	14 dB
Polarization	Horizontal + Vertical
Front-to-Back Ratio	53 dB
Xpol attenuation	24-25 dB
BW azimuth	50° (-6dB)
BW elevation	50° (-6dB)

AZIMUTH PATTERN



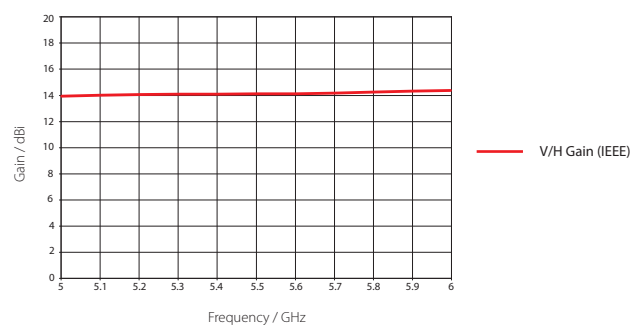
V/H-Port Pattern Azimuth 5.6GHz

ELEVATION PATTERN



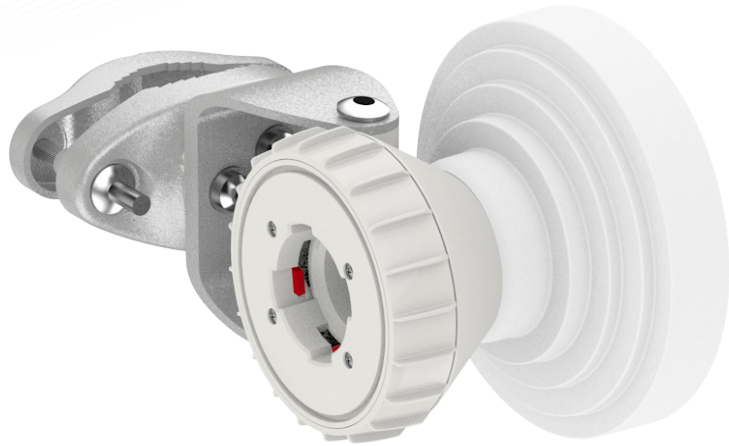
V/H-Port Pattern Elevation 5.6GHz

GAIN



Symmetrical Horn SH-TP 5-60

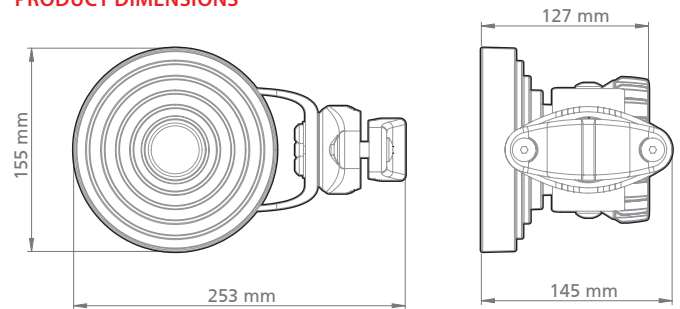
SYMMETRICAL HORN ANTENNA
FOR SIMPER RADIO



PHYSICAL

Antenna Connection	TwistPort - Quick Locking Waveguide Port
Antenna Type	Horn
Environmental	IP55
Temperature	-30°C to +55°C (-22°F to +131°F)
Weight	1.4 kg
Wind Survival	160 km/hour
Mechanical Tilt	± 25°
Dimensions (H x W x D)	155 x 253 x 145 mm

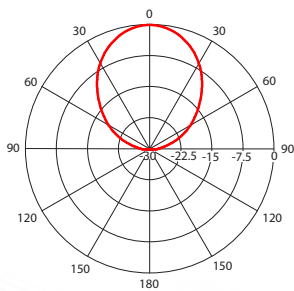
PRODUCT DIMENSIONS



PERFORMANCE

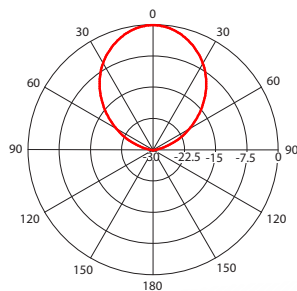
Frequency Range	4900 - 6200 MHz
Gain	13 dB
Polarization	Horizontal + Vertical
Front-to-Back Ratio	36 dB
Xpol attenuation	27-30 dB
BW azimuth	60° (-6dB)
BW elevation	60° (-6dB)

AZIMUTH PATTERN



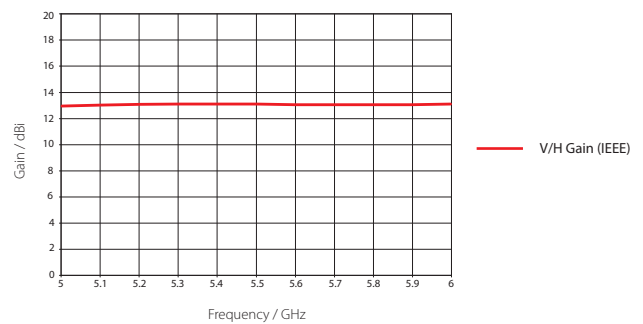
V/H-Port Pattern Azimuth 5.6GHz

ELEVATION PATTERN



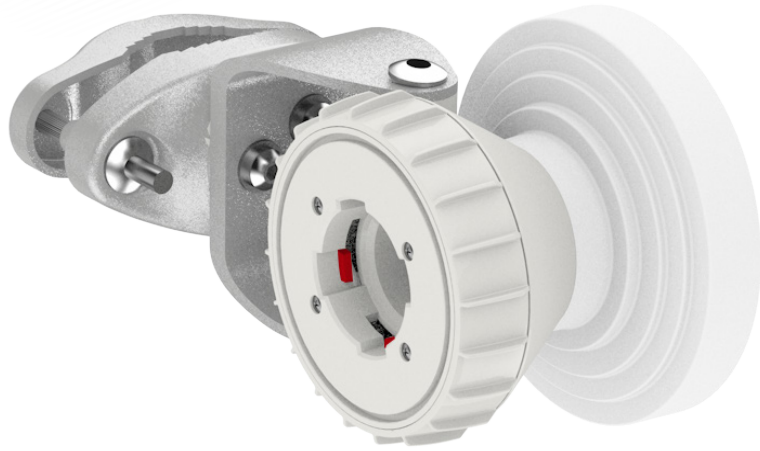
V/H-Port Pattern Elevation 5.6GHz

GAIN



Symmetrical Horn SH-TP 5-70

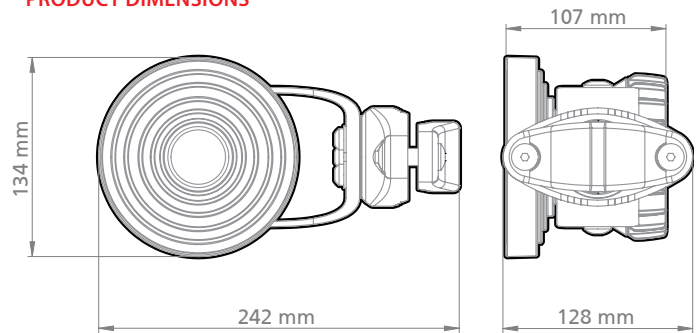
SYMMETRICAL HORN ANTENNA
FOR SIMPER RADIO



PHYSICAL

Antenna Connection	TwistPort - Quick Locking Waveguide Port
Antenna Type	Horn
Environmental	IP55
Temperature	-30°C to +55°C (-22°F to +131°F)
Weight	1.3 kg
Wind Survival	160 km/hour
Mechanical Tilt	± 25°
Dimensions (H x W x D)	134 x 242 x 128 mm

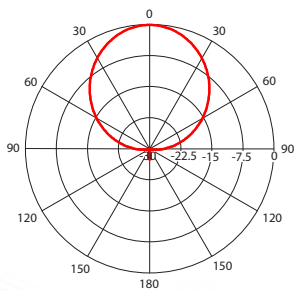
PRODUCT DIMENSIONS



PERFORMANCE

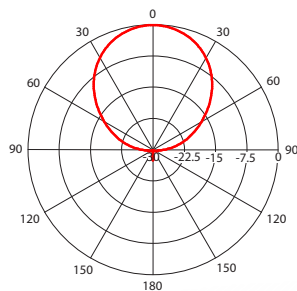
Frequency Range	4900 - 6200 MHz
Gain	12 dB
Polarization	Horizontal + Vertical
Front-to-Back Ratio	29 dB
Xpol attenuation	27-28 dB
BW azimuth	70° (-6dB)
BW elevation	70° (-6dB)

AZIMUTH PATTERN



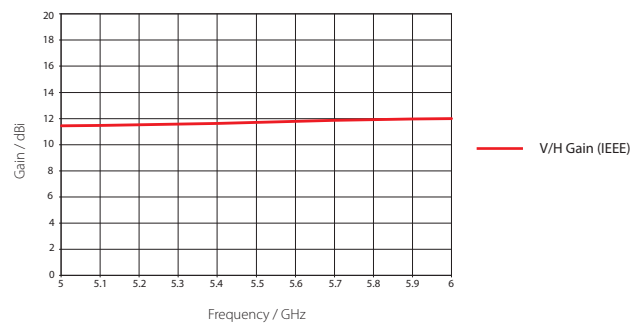
V/H-Port Pattern Azimuth 5.6GHz

ELEVATION PATTERN



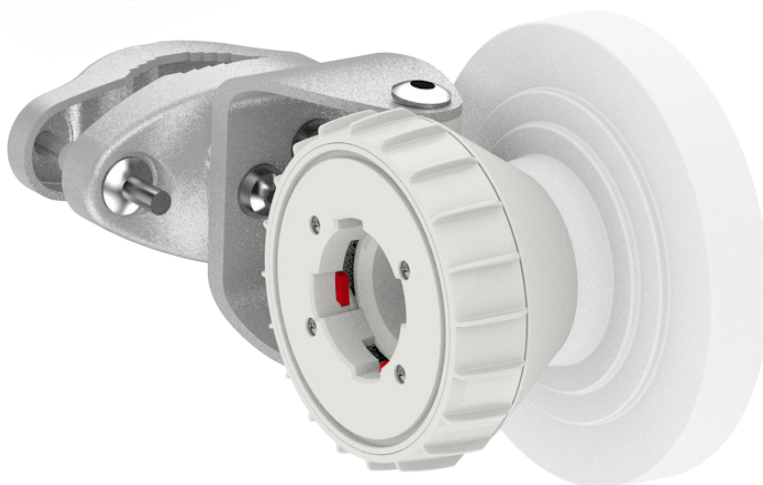
V/H-Port Pattern Elevation 5.6GHz

GAIN



Symmetrical Horn SH-TP 5-80

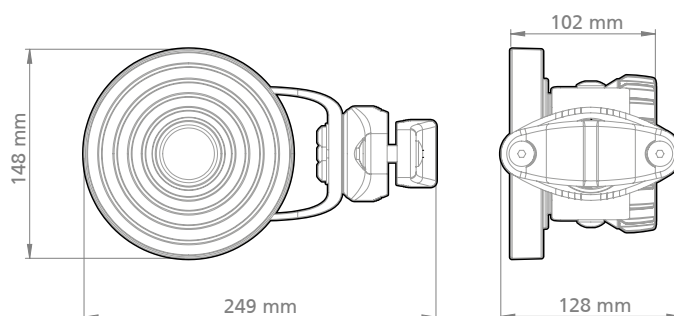
SYMMETRICAL HORN ANTENNA
FOR SIMPER RADIO



PHYSICAL

Antenna Connection	TwistPort - Quick Locking Waveguide Port
Antenna Type	Horn
Environmental	IP55
Temperature	-30°C to +55°C (-22°F to +131°F)
Weight	1.3 kg
Wind Survival	160 km/hour
Mechanical Tilt	± 25°
Dimensions (H x W x D)	148 x 249 x 128 mm

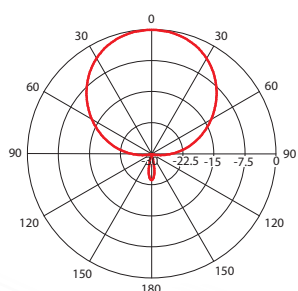
PRODUCT DIMENSIONS



PERFORMANCE

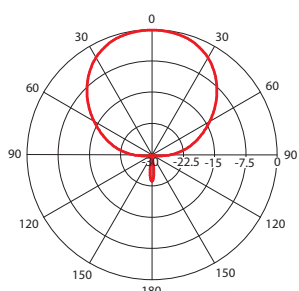
Frequency Range	4900 - 6200 MHz
Gain	11 dB
Polarization	Horizontal + Vertical
Front-to-Back Ratio	29 dB
Xpol attenuation	23-24 dB
BW azimuth	80° (-6dB)
BW elevation	80° (-6dB)

AZIMUTH PATTERN



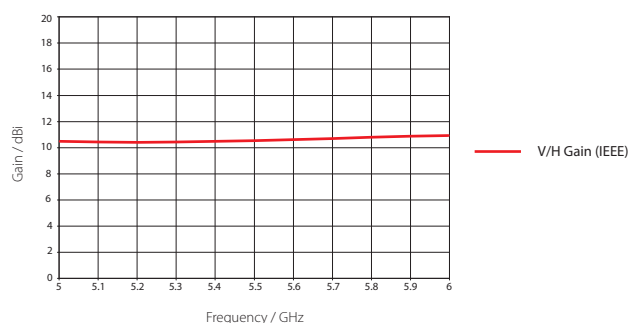
V/H-Port Pattern Azimuth 5.6GHz

ELEVATION PATTERN



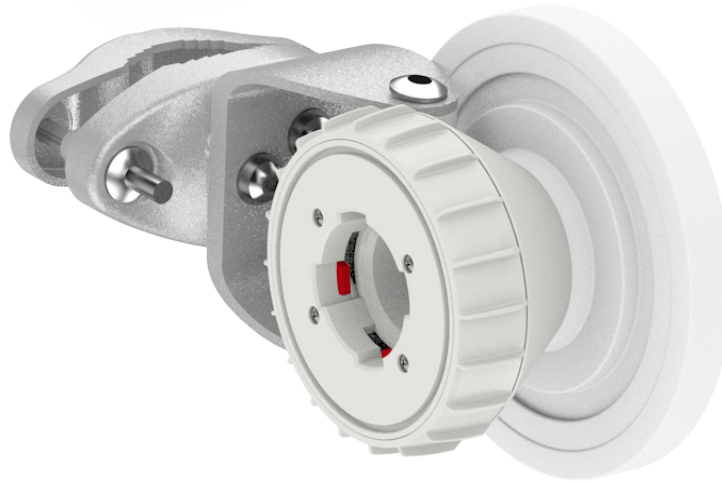
V/H-Port Pattern Elevation 5.6GHz

GAIN



Symmetrical Horn SH-TP 5-90

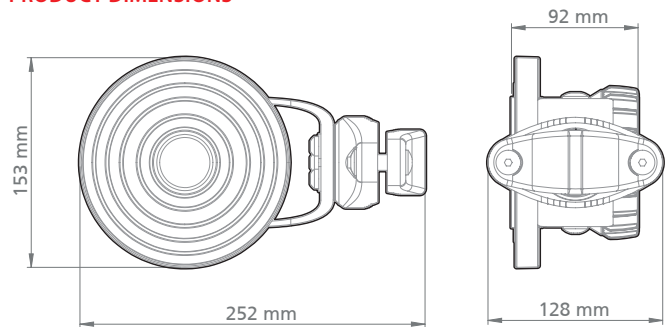
SYMMETRICAL HORN ANTENNA
FOR SIMPER RADIO



PHYSICAL

Antenna Connection	TwistPort - Quick Locking Waveguide Port
Antenna Type	Horn
Environmental	IP55
Temperature	-30°C to +55°C (-22°F to +131°F)
Weight	1.3 kg
Wind Survival	16 - 0 km/hour
Mechanical Tilt	± 25°
Dimensions (H x W x D)	153 x 252 x 128 mm

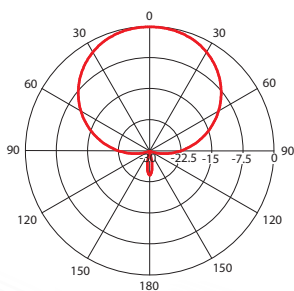
PRODUCT DIMENSIONS



PERFORMANCE

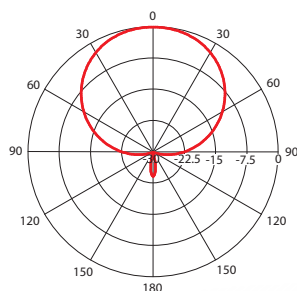
Frequency Range	4900 - 6200 MHz
Gain	10 dB
Polarization	Horizontal + Vertical
Front-to-Back Ratio	28 dB
Xpol attenuation	23 - 25 dB
BW azimuth	90° (-6dB)
BW elevation	90° (-6dB)

AZIMUTH PATTERN



V/H-Port Pattern Azimuth 5.6GHz

ELEVATION PATTERN



V/H-Port Pattern Elevation 5.6GHz

GAIN

