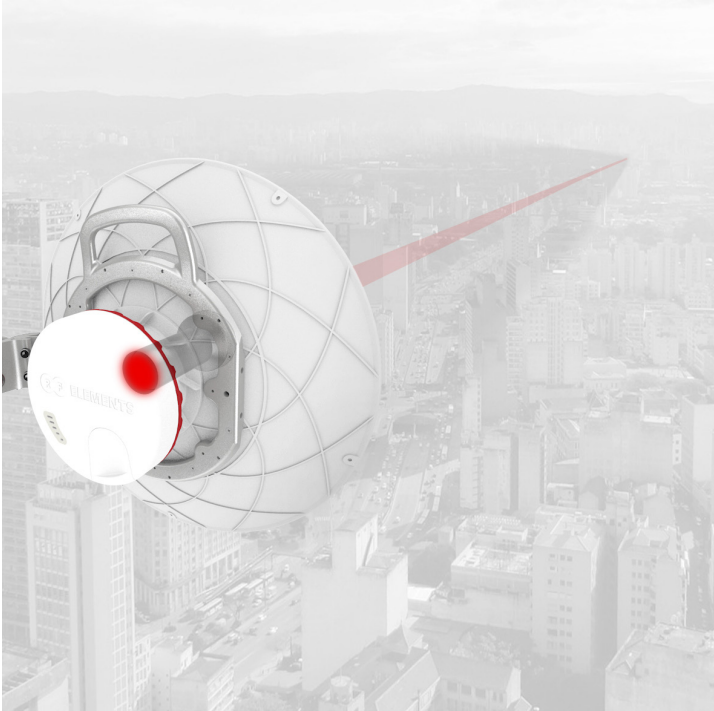


UltraDish™ TP

HIGH DIRECTIONAL PARABOLIC DISH ANTENNAS WITH TWISTPORT



TOP PERFORMANCE

TwistPort connector mates radio and antenna virtually lossless. High directivity of beam secures top performance and high throughput.

REDUCED INTERFERENCE

Depressed sidelobe radiation reduces interference and enables installation in crowded areas.

WEATHERPROOF

UltraDish TP Antennas are made of best weather resistant materials as aluminium, plastic and stainless steel. There are no traditional RF connectors or RF jumpers that can corrode.

INNOVATIVE ANTENNA MOUNT

EASY DEPLOYMENT

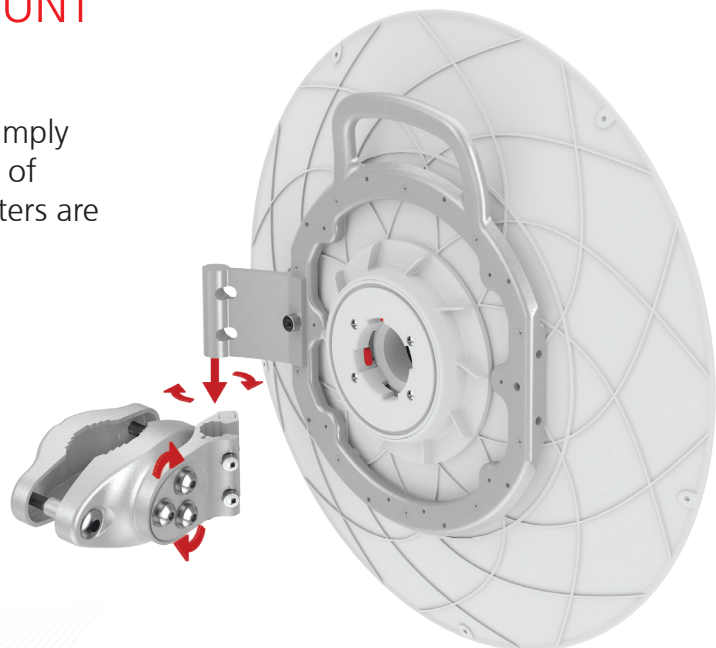
First install the bracket on the pole, than simply slide the antenna on the bracket. Two sets of pole screws to match different pole diameters are included.

PRECISE ADJUSTMENT

Elevation and Azimuth are adjusted independently and in wide range of angle.

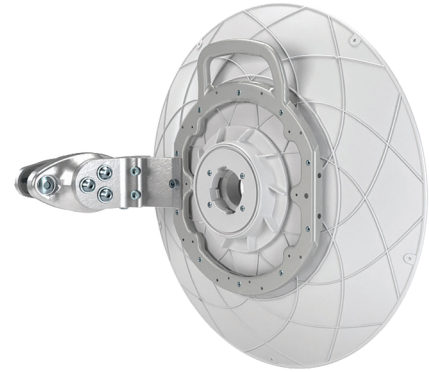
ONE TOOL

One 5mm HEX tool is enough to do all antenna installation.



UltraDish™ TP 380

HIGH DIRECTIONAL PARABOLIC DISH ANTENNAS WITH TWISTPORT



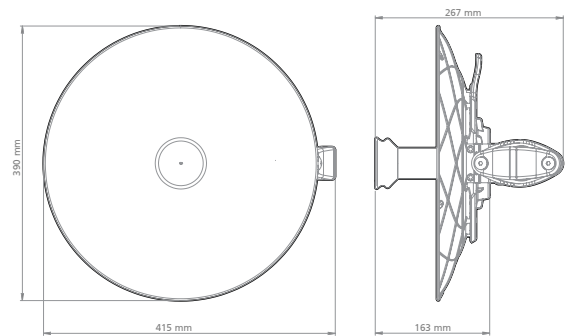
PHYSICAL

Antenna Connection	TwistPort - Quick Locking Waveguide Port
Antenna Type	Parabolic Dish
Environmental	IP65
Temperature	-30°C to +55°C (-22°F to +131°F)
Weight	1.9 kg
Wind Survival	160 km/hour
Single Piece	N/A

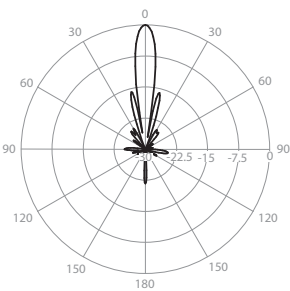
PERFORMANCE

Frequency Range	5100 - 6200 MHz
Gain	24 dB
Polarization	Horizontal + Vertical
Front-to-Back Ratio	-24 dB H / -24 dB V
Xpol attenuation	20-21 dB
BW azimuth	12° (-6dB)
BW elevation	12° (-6dB)

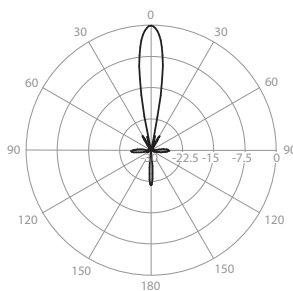
PRODUCT DIMENSIONS



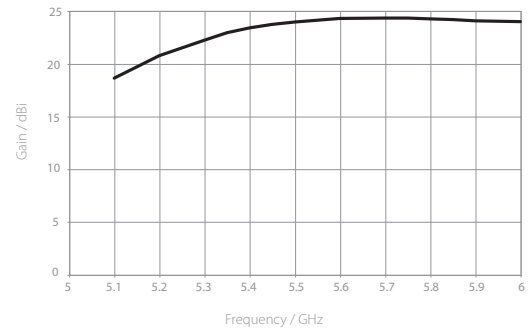
Azimuth Pattern H



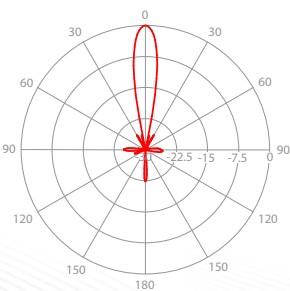
Elevation Pattern H



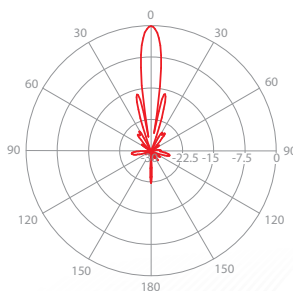
Gain H



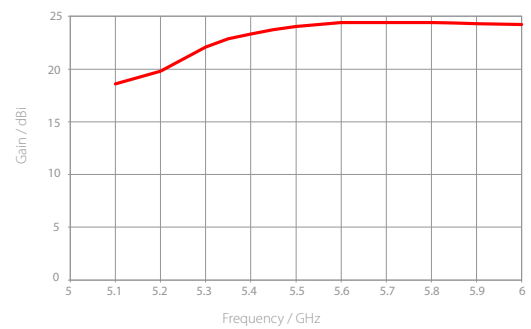
Azimuth Pattern V



Elevation Pattern V



Gain V



UltraDish™ TP 520

HIGH DIRECTIONAL PARABOLIC DISH ANTENNAS WITH TWISTPORT



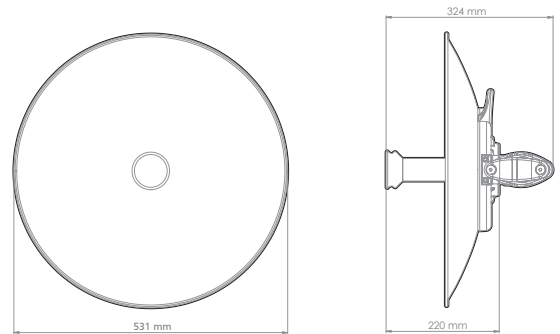
PHYSICAL

Antenna Connection	TwistPort - Quick Locking Waveguide Port
Antenna Type	Parabolic Dish
Environmental	IP65
Temperature	-30°C to +55°C (-22°F to +131°F)
Weight	1.9 kg
Wind Survival	160 km/hour
Single Piece	N/A

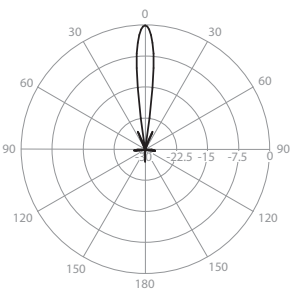
PERFORMANCE

Frequency Range	5100 - 6200 MHz
Gain	27 dB
Polarization	Horizontal + Vertical
Front-to-Back Ratio	28 dB H / 32 dB V
Xpol attenuation	21dB H / 22dB V
BW azimuth	9° H / 9° V (-6dB)
BW elevation	9° H / 9° V (-6dB)

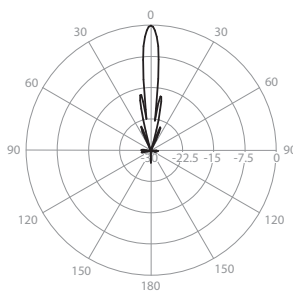
PRODUCT DIMENSIONS



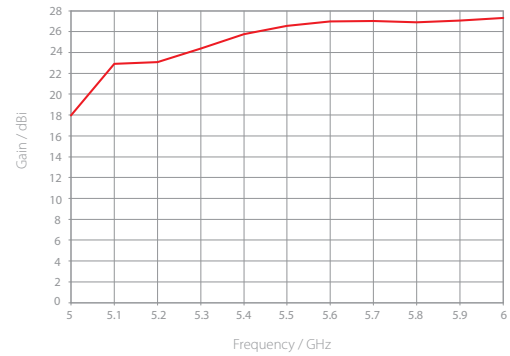
Azimuth Pattern H



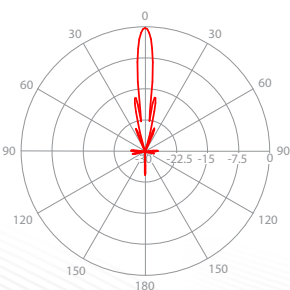
Elevation Pattern H



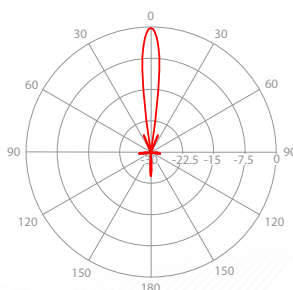
Gain H



Azimuth Pattern V



Elevation Pattern V



Gain V

